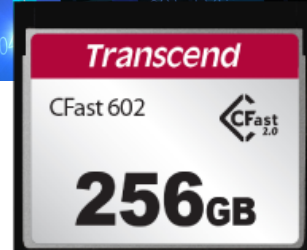


Embedded Solutions



CFast Cards

CFX602

Featuring a SATA III interface, Transcend CFast 2.0 CFX602 Memory Cards boast high data transfer rates and extra large storage capacity. Transcend CFX602 cards can also be used as bootable disks.

Hardware Features

- Compliant with RoHS 2.0 standards
- Compliant with CFast specification 2.0
- MLC NAND flash
- Durability: 10,000 insertion/removal cycles

Firmware Features

- Built-in ECC (Error Correction Code) functionality
- Supports S.M.A.R.T. function to conduct health monitoring, analysis, and reporting for storage devices
- Wear-Leveling
- Power-saving DevSleep (Device Sleep) mode
- Advanced Global Wear-Leveling and Block management for reliability

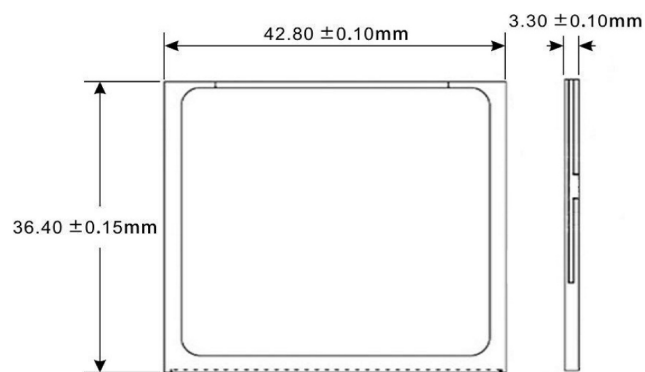
Ordering Information

8GB	TS8GCFX602
16GB	TS16GCFX602
32GB	TS32GCFX602
64GB	TS64GCFX602
128GB	TS128GCFX602
256GB	TS256GCFX602

Specifications

Appearance	Dimensions	42.8 mm x 36.4 mm x 3.3 mm (1.69" x 1.43" x 0.13")
	Form Factor	Compact flash card
Interface	Bus Interface	SATA III 6Gb/s
Storage	Flash Type	MLC NAND flash
	Capacity	8 GB / 16 GB / 32 GB / 64 GB / 128 GB / 256 GB
Operating Environment	Operating Voltage	3.3V±5%
	Operating Temperature	-5°C (23°F) ~ 70°C (158°F)
	Storage Temperature	-40°C (-40°F) ~ 85°C (185°F)
	Humidity	0% ~ 95%
	Shock	1500 G, 0.5 ms, 3 axis
Power	Vibration (Operating)	3 G (peak-to-peak), 5 Hz ~ 800 Hz (frequency)
	Power Consumption (Max.)	2.01 watt(s)
Performance	Read Speed (Max.)	up to 500 MB/s
	Write Speed (Max.)	up to 350 MB/s
	Mean Time Between Failures (MTBF)	1,000,000 hour(s)
Warranty	Warranty	Three-year Limited Warranty

Mechanical Dimensions



Product specifications are subject to change without notice. Pictures shown may differ from actual products. Total accessible capacity varies depending on operating environment. Due to the complexity and variety of industrial applications, Transcend cannot guarantee 100% compatibility with all platforms and under all scenarios. For special applications and environments, it is strongly suggested that you contact Transcend beforehand for clarification.