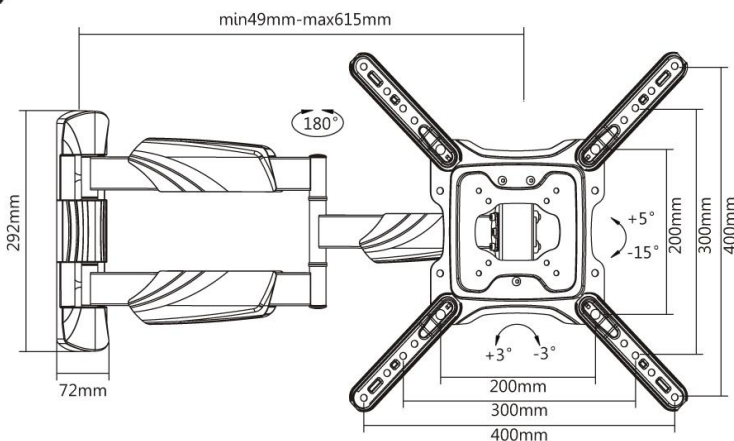


## reflecta FLEXPLO 55-4040T



### Product Information:

- Full motion universal wall mount for TV's / Displays
- Max. loading weight 35 kg
- Length max: 61,5 cm
- Vesa: 75x75, 100x100, 100x200, 200x200, 300x200, 400x200, 300x300, 400x300, 400x400
- 23-55" (58-140 cm)
- Tilt: +5° / -15°
- Swivel: +/-90°
- Cable management

Code: 23117

Specifications are subject to change without notice

**reflecta gmbh**  
 Merkurstrasse 8  
 D 72184 Eutingen  
 Phone: +49 (0) 7457 9465-60  
 Fax: +49 (0) 7457 9465-72  
 e-mail: [mail@reflecta.de](mailto:mail@reflecta.de)  
 http: [www.reflecta.de](http://www.reflecta.de)