

# camry

*Premium*



## CR 4410

(GB) user manual - 3

(FR) mode d'emploi - 11

(PT) manual de serviço - 19

(LV) lietošanas instrukcija - 27

(HU) felhasználói kézikönyv - 35

(RO) Instrucțiunea de deservire - 42

(RU) инструкция обслуживания - 50

(MK) упатство за корисникот - 59

(SL) navodila za uporabo - 67

(PL) instrukcja obsługi - 77

(HR) upute za uporabu - 85

(DK) brugsanvisning - 92

(SR) Корисничко упутство - 100

(DE) bedienungsanweisung - 7

(ES) manual de uso - 15

(LT) naudojimo instrukcija - 23

(EST) kasutusjuhend - 31

(BS) upute za rad - 39

(CZ) návod k obsluze - 46

(GR) οδηγίες χρήσεως - 55

(NL) handleiding - 63

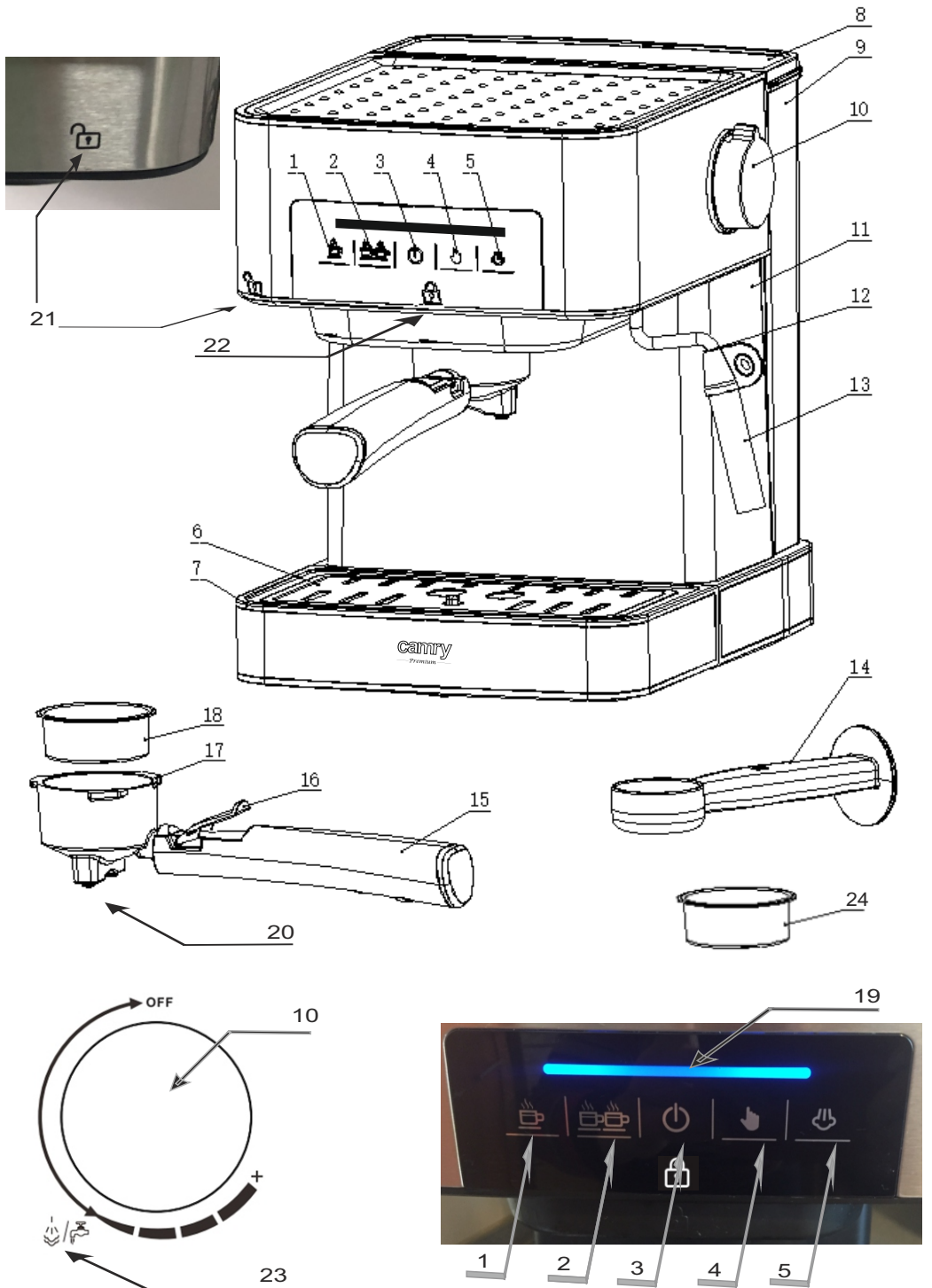
(FI) manwal ng pagtuturo - 71

(IT) istruzioni operative - 81

(SK) Používateľská príručka - 89

(UA) інструкція з експлуатації - 96

(SV) instruktionsbok - 104



GENERAL SAFETY CONDITIONS IMPORTANT SAFETY INSTRUCTIONS. PLEASE  
READ CAREFULLY AND SAVE FOR FUTURE

1. Before using the device, read the operating manual and follow the instructions contained in it.
2. The device is for home use only. Do not use for other purposes that are not for its intended purpose.
3. The device should only be connected to a 220-240 V ~ 50/60 Hz grounded socket. To increase operational safety, multiple electrical devices should not be connected to one current circuit at the same time.
4. Use extreme caution when using the device when children are nearby.
5. **WARNING:** This equipment may be used by children over 8 years of age and people with reduced physical, sensory or mental ability, or people who have no experience or knowledge of the equipment, if this is done under the supervision of a person responsible for their safety or have been granted them information on the safe use of the device and are aware of the dangers of using it. Children should not play with the equipment. Cleaning and maintenance of the device should not be performed by children, unless they are over 8 years old and these activities are carried out under supervision.
6. Boil the water in the tank and pour it twice to get rid of the smell before first use.
7. Always remove the plug from the power socket after use by holding the socket with your hand after use.
8. When removing the plug from the socket, never pull the power cord but the plug.
9. Do not expose the device to atmospheric conditions (rain, sun, etc.) or use in conditions of high humidity (bathrooms, damp mobile homes).
10. Do not immerse the cable, plug and the device in water or any other liquid.
11. Periodically check the condition of the power cord. If the power cord is damaged, it should be replaced by a specialist repair shop to avoid danger.
12. Do not use the device with a damaged power cord or if it has been dropped or damaged in any other way or if it is not working properly. Do not repair the device yourself, as there is a risk of electric shock. Take the damaged device to an appropriate service center for checking or repair. All repairs may only be carried out by authorized service points. Incorrectly performed repairs can cause serious danger for the user.
13. Place the device on a cool, stable surface, away from hot kitchen appliances such as: electric stove, gas burner, etc.
14. Do not use the device near flammable materials.
15. The power cord may not hang over the edge of a table or touch hot surfaces. The manufacturer is not liable for damages caused by using the device contrary to its intended purpose or improper operation. Do not allow children to play with the device, do not allow children or people unfamiliar with the device to use it.
16. Do not leave the device switched on or the adapter unattended when unattended.

17. To provide additional protection, it is advisable to install a residual current device (RCD) in the electric circuit with a rated residual current not exceeding 30 mA. Ask an electrician for this advice.
18. Never use the device without water! It may be damaged.
19. Never direct a stream of hot steam or water towards your body.
20. Never use the device with sparkling water !!!
21. Never leave the device at a temperature below 0 degrees Celsius, as it may damage it.
22. Always unplug the machine before filling the tank with water.
23. Regularly clean and inspect the machine to ensure the quality of coffee obtained and to extend the life of the machine.
24. Always disconnect the power source before cleaning and allow all hot parts to cool down. The device should be cleaned with a mild non-abrasive detergent. Never use cleaning solvent as this could damage the paint layer.
25. For descaling the machine, use a liquid descaler designed for pressure coffee makers.
26. During use, never touch the filter housing or the milk frothing nozzle, as there is a risk of burns.
27. Use only original accessories.
28. Do not move or move the device during operation.

This machine has a classic functions of Italian concentrated espresso and cappuccino coffee. Rich coffee aroma and foam, easy to operate and safe, easy to clean.

#### PRODUCT DESCRIPTION: COFFEE MACHINE Cr4410

- |   |   |
|---|---|
| 1. Auto Single Cup - button for automatic preparation of 1 cup of coffee  |   |
| 2. Auto Double Cup – button for automatic preparation of 2 cups of coffee |   |
| 3. Power button   | 4. Manual Coffee Cup button             |
| 5. Steam button   | 6. Drip grid                            |
| 7. Removable drip tray  | 8. Water tank lid                       |
| 9. Water tank 1600ml  | 10. Steam knob                          |
| 11. Main housing  | 12. Steam nozzle handle                 |
| 13. Steam nozzle  | 14. Measuring spoon                     |
| 15. Filter handle   | 16. Filter retaining clip               |
| 17. Filter housing  | 18. Filter for ground coffee for 1 cup  |
| 19. Light indicator   | 20. Funnel                              |
| 21. Unlock mark   | 22. Lock mark                           |
| 23. Hot water function mark   | 24. Filter for ground coffee for 2 cups |

#### Operating Instruction

##### Before using for the first time

After unpacking the device, check with are all the buttons available and the steam knob (10) turned off in the "OFF" position. Before applying wipe the device (see Cleaning and maintenance).

1. Remove the water tank (9), pour water into water tank (9), the water level should not exceed the "MAX" mark. It is recommended to use filtered water. This prevents lime build-up and improves the taste of the prepared coffee. Do not use soda water.
2. Run hot water twice (instructions below) to remove the factory new odor before first use.
3. Plug in and press the power button (3). At this time, the light indicator (19) flashes blue. Press the Manual Coffee Cup button (4) to work the pump, pumping water from the water tank to the device for heating.
4. The device starts to preheat, at this time, the light indicator (19) flashes blue; when the blue light stops blinking and turns on continuous blue lighting, the warm-up is completed, it takes about 2 minutes.

5. Press the Auto Single Cup button (1) to let the hot water out to wash the coffee filter (18).
6. Repeat steps 3, 4, 5 above.
7. Empty condensation from water and coffee from the removable drip tray (7).

#### How to make espresso coffee?

Connect the device to the power supply and press the power button (3). At this moment the indicator light (19) flashes blue, wait until it stops flashing, then the device will finish heating and will be ready for use.

1. While the device is preheating, you can put the ground coffee powder (you should use the fine powder, not too thick or too thin) into the ground coffee filter (18). For one espresso cup use one measurement spoon (14) of your favorite ground coffee. For two espresso cup use 1,5 measurement spoon (14) of your favorite ground coffee. Then use the measuring spoon handle (14) to press it tightly; at the same time wipe the coffee powder on the edge of the filter (18). You can use the filter (24) suitable for 2 cups ground coffee capacity too.
2. Insert the ground coffee filled filter (18) into the filter housing (17), keep it by filter handle (15). Fit filter with ground coffee under the unlock mark (21), then move it the right side to lock it, just under the lock mark (22), then place the coffee cup (or 2 cups) under the funnel (20).
3. Adjust the position of the coffee cup (or 2 cups at the same time), let the coffee flow along the cup wall.
4. Press:
  - the Auto Single Cup button (1), you will hear di-di sound, then it starts to flow out a coffee to your cup. Coffee stops flow out automatically, you will hear di-di-di-di-di sound. Single coffee is around 100ml capacity.
  - the Auto Double Cup button (2), you will hear di-di sound, then it starts to flow out the coffee to 2 cups at the same time. Coffee stops flow out automatically, you will hear di-di-di-di-di sound.
  - the Manual Coffee Cup button (4) button to flow out coffee as long as you like. After the quantity of coffee will be your desired level, press the Manual Coffee Cup button (4) again to stop flow out of coffee. Do not leave the appliance unattended, it may overflow coffee.
5. Wait a minute for coffee dripping and the coffee is ready.

#### Steam foaming function

1. Press the Steam button (5), the light indicator (19) will turn red and it will flashing, when the red light changes from blinking to continuous red light, the preheating is complete.
  2. The amount of steam can be adjusted according to the individual's proficiency. Before froth the milk foam, you should release the water in the steam nozzle (13). It is recommended to pour the milk into the 1/3 high of the pitcher, insert the steam nozzle (13) into the milk at 1cm depth, and then slowly unscrew the steam knob (10) until steam starts to eject. You can sway the pitcher a little, but do not contact the bottom of the pitcher with the steam nozzle (13).
  3. When the temperature of milk reaches about 75 degrees of Celsius and the milk foam begins to expand, turn the steam knob (10) to "OFF" position, turn off the steam button (5) to make the light indicator (19) turns blue, press the power button (3) directly to turn off the device.
- After the milk foam is completed, clean the milk on the surface of the steam nozzle with a damp cloth in time and spray the steam to prevent the milk from drying out and blocking the vent.

#### How to make cappuccino coffee?

1. Prepare bigger volume cups suitable to cappuccino coffee.
2. Prepare coffee according to points 1-5 described in part: How to make espresso coffee?
3. Prepare the milk foam according to points 1-3 described in part: Steam foaming function.
4. Then shake the pitcher on the table so that the milk foam is fully blended and pour it into the cup with coffee.

#### Hot water function

1. Pressing the power button (3).
2. The device starts to preheat, at this time, the light indicator (19) flashes blue; when the blue light stops blinking and turns on continuous blue lighting, the warm-up is completed, it takes about 2 minutes.
3. Stand up the cup under the steam nozzle (13).
4. Turn the steam knob (10) until the steam nozzle (13) flowing out hot water. Knob should exceed the position of hot water function mark (23).
5. Press:
  - the Auto Single Cup button (1), you will hear di-di sound, then it starts to flow out hot water – around 150ml - to your cup. Water stops flow out automatically, you will hear di-di-di-di-di sound. If you have to stop water flow out immediately press the Auto Single Cup button (1) again.
  - the Auto Double Cup button (2), you will hear di-di sound, then it starts to flow out the water – around 250 ml - to your cup. Water stops flow out automatically, you will hear di-di-di-di-di sound. If you have to stop water flow out immediately press the Auto Double Cup button (2) again.
  - the Manual Coffee Cup button (4) button to flow out hot water as long as need. Do not leave the device without control. After the quantity of hot water will be your desired level, press the Manual Coffee Cup button (4) again to stop flow out of hot water. If you have to stop water flow out immediately press the Manual Coffee Cup button (4) again.
6. When finished, turn off the Steam knob (10), then press the power button (3) off.
7. The hot water can be used for drinking, cleaning or heating cups before pouring your coffee.

## Cleaning and Maintenance

1. Turn off the power button (3), unplug it and clean the device after completely cooling.
2. Always empty the water tank (9) after use. From time to time, clean the water tank (9) with a damp sponge or cloth.
3. Detach the filter (18) and remove used coffee from the Filter. If the Filter holes are clogged with coffee, use a brush to clean it. You can unscrew the coffee funnel (20) and clean the coffee grounds in the filter housing (17).
4. The cups, water tank (9), drip grid (6), removable drip tray (7), filter (15+16+17+18+20) may be washed in water with some mild detergent without abrasive substances or solvents. External parts should be cleaned with a soft cloth or sponge. Highly abrasive cleaners or brushes may cause surface scratches.

Note: Do not use alcohol or solvent cleaner and do not immerse the machine in water to clean.

## DECALCIFICATION

If coffee brewing takes longer time than in the beginning of use or the steam nozzle (13) does not produce steam, the appliance should be decalcified. If hard water is used, the appliance should be decalcified after it has been used approximately 40 times. If soft water is used the machine can be decalcified after it has been used approximately 80 times. Espresso machine liquid decalcifier may be used for decalcifying the appliance. Before decalcifying, make sure that the device is disconnected from the power supply.

- 1) Pour approximately 250 ml of lukewarm water and then add 250 ml of espresso machine liquid decalcifier.
- 2) Place the filter (15+16+17+18+20) in locked position into the device. Then place a cup half-filled with cold water under the steam nozzle (13) and an empty cup under the filter funnel (20).
- 3) Connect the device to the power supply.
- 4) Press the power button (3).
- 5) Then press the Auto Single Cup button (1).
- 6) When the decalcifier starts to flow down into an empty cup, insert the tip of the steam nozzle (13) into a cup filled with cold water and press the steam button (5).
- 7) Wait for a few seconds and switch off the device. After decalcifying, the device must be rinsed three times with clean water. In order to do it, repeat steps 1 to 7 filling the water tank (9) with clean water only.

## Troubleshooting

Symptom: No water / no steam

Reason 1: Whether the water tank (9) has got water inside / is in place?

Solution 1: Add water to the tank (9).

Reason 2: No water is added in advance in the machine.

Solution 2: Method of water adding: press the Manual Coffee Cup button (4), the pump starts pumping water into the device, press Manual Coffee Cup button (4) after few seconds.

Reason 3: The machine does not complete preheating.

Solution 3: Wait. The machine can make coffee after the warm-up is completed. Warm-up is completed when the light indicator (19) changes from blue flashing to always being on blue.

Symptom: No steam

Reason 1: Steam hole blocked

Solution 1: Use a small wire to poke the small hole in the bottom of the steam nozzle (13), clean it this way.

Solution 2: After the milk foam is finished, do a hot water function to clean the steam tube.

Symptom: Bad milk foam

Reason 1: Is it whole milk?

Solution 1: Use whole milk.

Symptom: Bad milk foam

Reason 1: The steam button (5) starts to froth milk foam before the device is warmed up completely.

Solution 1: Wait. Start steaming after the light indicator (19) changes color from red flashing to continuous red.

## TECHNICAL DATA:

Capacity max: 1.6 liters

Voltage: 220-240V ~50/60Hz

Power: 850W

Power Max: 1000W

Pressure: 15 Bars



Please transfer cardboard packaging to waste paper. Pour the polyethylene bags (PE) into the plastic container. Worn device should be returned to the appropriate point storage because it is dangerous in the device ingredients may pose a threat to the environment. The electrical device should be handed over to limit its reuse and use. If in the device there are batteries you have to take out and give to the point stored separately.

ALLGEMEINE SICHERHEITSBEDINGUNGEN WICHTIGE SICHERHEITSHINWEISE.  
BITTE SORGFÄLTIG DURCHLESEN UND FÜR ZUKÜNFTIGE POLIERUNG  
SPEICHERN

1. Lesen Sie vor der Verwendung des Geräts die Bedienungsanleitung und befolgen Sie die darin enthaltenen Anweisungen.
2. Das Gerät ist nur für den Heimgebrauch bestimmt. Nicht für andere Zwecke verwenden, die nicht für den vorgesehenen Zweck bestimmt sind.
3. Das Gerät darf nur an eine geerdete Steckdose mit 220-240 V ~ 50/60 Hz angeschlossen werden. Um die Betriebssicherheit zu erhöhen, sollten nicht mehrere elektrische Geräte gleichzeitig an einen Stromkreis angeschlossen werden.
4. Seien Sie äußerst vorsichtig, wenn Sie das Gerät verwenden, wenn Kinder in der Nähe sind.
5. **WARNUNG:** Dieses Gerät darf von Kindern über 8 Jahren und Personen mit eingeschränkter körperlicher, sensorischer oder geistiger Leistungsfähigkeit oder von Personen ohne Erfahrung oder Kenntnis des Geräts verwendet werden, wenn dies unter Aufsicht einer verantwortlichen Person erfolgt zu ihrer Sicherheit oder wurden ihnen Informationen über die sichere Verwendung des Geräts gewährt und sind sich der Gefahren seiner Verwendung bewusst. Kinder sollten nicht mit dem Gerät spielen. Die Reinigung und Wartung des Geräts sollte nicht von Kindern durchgeführt werden, es sei denn, sie sind älter als 8 Jahre und diese Aktivitäten werden unter Aufsicht durchgeführt.
6. Kochen Sie das Wasser im Tank und gießen Sie es zweimal ein, um den Geruch vor dem ersten Gebrauch zu beseitigen.
7. Ziehen Sie nach dem Gebrauch immer den Stecker aus der Steckdose, indem Sie die Steckdose nach dem Gebrauch mit der Hand halten.
8. Wenn Sie den Stecker aus der Steckdose ziehen, ziehen Sie niemals am Netzkabel, sondern am Stecker.
9. Setzen Sie das Gerät keinen atmosphärischen Bedingungen (Regen, Sonne usw.) aus und verwenden Sie es nicht unter Bedingungen hoher Luftfeuchtigkeit (Badezimmer, feuchte Mobilheime).
10. Tauchen Sie das Kabel, den Stecker und das Gerät nicht in Wasser oder andere Flüssigkeiten.
11. Überprüfen Sie regelmäßig den Zustand des Netzkabels. Wenn das Netzkabel beschädigt ist, sollte es von einer Fachwerkstatt ausgetauscht werden, um Gefahren zu vermeiden.
12. Verwenden Sie das Gerät nicht mit einem beschädigten Netzkabel oder wenn es heruntergefallen oder auf andere Weise beschädigt wurde oder wenn es nicht richtig funktioniert. Reparieren Sie das Gerät nicht selbst, da die Gefahr eines Stromschlags besteht. Bringen Sie das beschädigte Gerät zur Überprüfung oder Reparatur zu einem geeigneten Servicecenter. Alle Reparaturen dürfen nur von autorisierten Servicestellen durchgeführt werden. Falsch durchgeführte Reparaturen können ernsthafte Gefahren für



den Benutzer verursachen.

13. Stellen Sie das Gerät auf eine kühle, stabile Oberfläche, fern von heißen Küchengeräten wie Elektroherd, Gasbrenner usw.

14. Verwenden Sie das Gerät nicht in der Nähe von brennbaren Materialien.

15. Das Netzkabel darf nicht über die Tischkante hängen oder heiße Oberflächen berühren. Der Hersteller haftet nicht für Schäden, die durch die Verwendung des Geräts gegen den beabsichtigten Zweck oder durch unsachgemäßen Betrieb verursacht werden. Erlauben Sie Kindern nicht, mit dem Gerät zu spielen. Lassen Sie Kinder oder Personen, die mit dem Gerät nicht vertraut sind, es nicht benutzen.

16. Lassen Sie das Gerät nicht eingeschaltet oder den Adapter unbeaufsichtigt, wenn Sie unbeaufsichtigt sind.

17. Um zusätzlichen Schutz zu bieten, ist es ratsam, ein Fehlerstromschutzgerät (RCD) im Stromkreis mit einem Nennreststrom von nicht mehr als 30 mA zu installieren. Fragen Sie einen Elektriker nach diesem Rat.

18. Verwenden Sie das Gerät niemals ohne Wasser! Es kann beschädigt werden.

19. Richten Sie niemals einen heißen Dampf- oder Wasserstrahl auf Ihren Körper.

20. Verwenden Sie das Gerät niemals mit Sprudelwasser !!!

21. Lassen Sie das Gerät niemals bei einer Temperatur unter 0 Grad Celsius stehen, da es sonst beschädigt werden kann.

22. Ziehen Sie immer den Netzstecker aus der Steckdose, bevor Sie den Tank mit Wasser füllen.

23. Reinigen und überprüfen Sie die Maschine regelmäßig, um die Qualität des erhaltenen Kaffees sicherzustellen und die Lebensdauer der Maschine zu verlängern.

24. Trennen Sie vor der Reinigung immer die Stromquelle und lassen Sie alle heißen Teile abkühlen. Das Gerät sollte mit einem milden, nicht scheuernden Reinigungsmittel gereinigt werden. Verwenden Sie niemals Reinigungsmittel, da dies die Lackschicht beschädigen könnte.

25. Verwenden Sie zum Entkalken der Maschine einen flüssigen Entkalker für Druckkaffeemaschinen.

26. Berühren Sie während des Gebrauchs niemals das Filtergehäuse oder die Milchschaumdüse, da Verbrennungsgefahr besteht.

27. Verwenden Sie nur Originalzubehör.

28. Bewegen oder bewegen Sie das Gerät während des Betriebs nicht.

Diese Maschine hat klassische Funktionen von italienischem konzentriertem Espresso und Cappuccino-Kaffee. Reichhaltiges Kaffee Aroma und Schaum, einfach zu bedienen und sicher, leicht zu reinigen.

PRODUKTBESCHREIBUNG: KAFFEEMASCHINE Cr4410

- |  |                                |
|--|--------------------------------|
| 1. Auto Single Cup - Taste zur automatischen Zubereitung von 1 Tasse Kaffee  |                                |
| 2. Auto Double Cup - Taste zur automatischen Zubereitung von 2 Tassen Kaffee |                                |
| 3. Netzschalter  | 4. Manueller Kaffeetassenknopf |
| 5. Dampfknopf  | 6. Tropfgitter                 |
| 7. Abnehmbare Tropfschale  | 8. Wassertankdeckel            |
| 9. Wassertank 1600ml   | 10. Dampfknopf                 |
| 11. Hauptgehäuse   | 12. Dampf düsengriff           |
| 13. Dampf düse   | 14. Messlöffel                 |



- |                                   |  |
|-----------------------------------|--|
| 15. Filtergriff                   | 16. Filterhalteclip                          |
| 17. Filtergehäuse                 | 18. Filter für gemahlene Kaffee für 1 Tasse  |
| 19. Lichtanzeige                  | 20. Trichter                                 |
| 21. Markierung entsperren         | 22. Markierung entsperren                    |
| 23. Heißwasserfunktionsmarkierung | 24. Filter für gemahlene Kaffee für 2 Tassen |

## Betriebsanleitung

Vor dem ersten Gebrauch

Überprüfen Sie nach dem Auspacken des Geräts, ob alle Tasten verfügbar sind und ob der Dampfknopf (10) in der Position "AUS" ausgeschaltet ist. Wischen Sie das Gerät vor dem Auftragen ab (siehe Reinigung und Wartung).

1. Entfernen Sie den Wassertank (9), gießen Sie Wasser in den Wassertank (9). Der Wasserstand sollte die Markierung "MAX" nicht überschreiten. Es wird empfohlen, gefiltertes Wasser zu verwenden. Dies verhindert Kalkablagerungen und verbessert den Geschmack des zubereiteten Kaffees. Verwenden Sie kein Sodawasser.
2. Lassen Sie zweimal heißes Wasser laufen (Anweisungen unten), um den werkseitig neuen Geruch vor dem ersten Gebrauch zu entfernen.
3. Stecken Sie den Netzschalter (3) ein und drücken Sie ihn. Zu diesem Zeitpunkt blinkt die Lichtanzeige (19) blau. Drücken Sie die Taste Manuelle Kaffeetasse (4), um die Pumpe zu betätigen und Wasser aus dem Wassertank zum Heizen zu pumpen.
4. Das Gerät beginnt vorzuheizen. Zu diesem Zeitpunkt blinkt die Lichtanzeige (19) blau. Wenn das blaue Licht aufhört zu blinken und die kontinuierliche blaue Beleuchtung einschaltet, ist das Aufwärmen abgeschlossen. Es dauert ungefähr 2 Minuten.
5. Drücken Sie die Auto Single Cup-Taste (1), um das heiße Wasser zum Waschen des Kaffeefilters (18) herauszulassen.
6. Wiederholen Sie die obigen Schritte 3, 4, 5.
7. Entleeren Sie das Kondenswasser aus Wasser und Kaffee aus der herausnehmbaren Auffangschale (7).

Wie macht man Espresso?

Schließen Sie das Gerät an die Stromversorgung an und drücken Sie den Netzschalter (3). In diesem Moment blinkt die Anzeigelampe (19) blau. Warten Sie, bis sie nicht mehr blinkt. Dann beendet das Gerät die Heizung und ist betriebsbereit.

1. Während das Gerät vorheizt, können Sie das gemahlene Kaffeepulver (Sie sollten das feine Pulver verwenden, nicht zu dick oder zu dünn) in den gemahlene Kaffeefilter (18) geben. Verwenden Sie für eine Espressotasse einen Messlöffel (14) Ihres Lieblingskaffees. Verwenden Sie für zwei Espressotassen 1,5 Messlöffel (14) Ihres Lieblingskaffees. Drücken Sie dann mit dem Messlöffelgriff (14) fest darauf. Wischen Sie gleichzeitig das Kaffeepulver am Rand des Filters (18) ab. Sie können den Filter (24) auch für 2 Tassen gemahlene Kaffee verwenden.
2. Setzen Sie den mit gemahlenem Kaffee gefüllten Filter (18) in das Filtergehäuse (17) ein und halten Sie ihn am Filtergriff (15). Setzen Sie den Filter mit gemahlenem Kaffee unter die Entriegelungsmarkierung (21), bewegen Sie ihn zur Verriegelung nach rechts, direkt unter die Verriegelungsmarkierung (22), und stellen Sie die Kaffeetasse (oder 2 Tassen) unter den Trichter (20).
3. Stellen Sie die Position der Kaffeetasse (oder 2 Tassen gleichzeitig) ein und lassen Sie den Kaffee entlang der Tassenwand fließen.
4. Drücken Sie:
  - Mit der Auto Single Cup-Taste (1) hören Sie einen Di-Di-Ton. Dann fließt ein Kaffee in Ihre Tasse. Kaffeestopps fließen automatisch aus, Sie hören Di-Di-Di-Di-Di-Ton. Einzelkaffee hat ein Fassungsvermögen von ca. 100 ml.
  - Mit der Auto Double Cup-Taste (2) hören Sie einen Di-Di-Ton. Anschließend fließt der Kaffee gleichzeitig auf 2 Tassen. Kaffeestopps fließen automatisch aus, Sie hören Di-Di-Di-Di-Di-Ton.
  - Mit der Taste Manuelle Kaffeetasse (4) können Sie den Kaffee so lange ausströmen lassen, wie Sie möchten. Nachdem die Kaffeemenge die gewünschte Menge erreicht hat, drücken Sie erneut die Taste Manuelle Kaffeetasse (4), um den Kaffeeausfluss zu stoppen. Lassen Sie das Gerät nicht unbeaufsichtigt, da sonst Kaffee überlaufen kann.
5. Warten Sie eine Minute, bis der Kaffee tropft und der Kaffee fertig ist.

## Dampfschäufunktion

1. Drücken Sie die Dampftaste (5). Die Lichtanzeige (19) wird rot und blinkt. Wenn das rote Licht von blinkend zu dauerhaft rot wechselt, ist das Vorheizen abgeschlossen.
  2. Die Dampfmenge kann je nach den Fähigkeiten des Einzelnen angepasst werden. Bevor Sie den Milchschaum aufschäumen, sollten Sie das Wasser in der Dampfdüse (13) ablassen. Es wird empfohlen, die Milch in die 1/3 Höhe des Kruges zu gießen, die Dampfdüse (13) in 1 cm Tiefe in die Milch einzuführen und dann den Dampfkopf (10) langsam abzuschrauben, bis Dampf austritt. Sie können den Krug ein wenig wiegen, aber den Boden des Kruges nicht mit der Dampfdüse (13) berühren.
  3. Wenn die Milchttemperatur etwa 75 Grad Celsius erreicht und sich der Milchschaum auszudehnen beginnt, drehen Sie den Dampfkopf (10) in die Position "OFF" und schalten Sie den Dampfkopf (5) aus, um die Lichtanzeige (19) zu aktivieren. wird blau, drücken Sie den Netzschalter (3) direkt, um das Gerät auszuschalten.
- Nachdem der Milchschaum fertig ist, reinigen Sie die Milch auf der Oberfläche der Dampfdüse rechtzeitig mit einem feuchten Tuch und sprühen Sie den Dampf ein, um zu verhindern, dass die Milch austrocknet und die Entlüftung blockiert.

Wie macht man Cappuccino-Kaffee?

1. Bereiten Sie größere Tassen für Cappuccino-Kaffee vor.
2. Bereiten Sie den Kaffee gemäß den unter Teil 1 beschriebenen Punkten 1-5 zu. Wie wird Espressokaffee hergestellt?
3. Bereiten Sie den Milchschaum gemäß den im Teil: Dampfschäufunktion beschriebenen Punkten 1-3 vor.
4. Schütteln Sie dann den Krug auf dem Tisch, damit der Milchschaum vollständig vermischt ist, und gießen Sie ihn mit Kaffee in die

Tasse.

### Heißwasserfunktion

1. Drücken Sie den Netzschalter (3).
2. Das Gerät beginnt vorzuheizen. Zu diesem Zeitpunkt blinkt die Lichtanzeige (19) blau. Wenn das blaue Licht aufhört zu blinken und die kontinuierliche blaue Beleuchtung einschaltet, ist das Aufwärmen abgeschlossen. Es dauert ungefähr 2 Minuten.
3. Stellen Sie den Becher unter die Dampfdüse (13).
4. Den Dampfkopf (10) drehen, bis die Dampfdüse (13) heißes Wasser abfließt. Der Knopf sollte die Position der Heißwasserfunktionsmarkierung (23) überschreiten.
5. Drücken Sie:
  - Mit der Auto Single Cup-Taste (1) hören Sie einen Di-Di-Ton. Dann fließt heißes Wasser (ca. 150 ml) in Ihre Tasse. Wasser stoppt automatisch, Sie hören Di-Di-Di-Di-Di-Ton. Wenn Sie den Wasserfluss sofort stoppen müssen, drücken Sie erneut die Auto Single Cup-Taste (1).
  - Mit der Auto Double Cup-Taste (2) hören Sie einen Di-Di-Ton. Dann fließt das Wasser - ca. 250 ml - zu Ihrer Tasse. Wasser stoppt automatisch, Sie hören Di-Di-Di-Di-Di-Ton. Wenn Sie den Wasserfluss sofort stoppen müssen, drücken Sie erneut die Auto Double Cup-Taste (2).
  - die Taste Manuelle Kaffeetasse (4), um so lange wie nötig heißes Wasser abzulassen. Lassen Sie das Gerät nicht ohne Kontrolle. Nachdem die Menge an heißem Wasser die gewünschte Menge erreicht hat, drücken Sie erneut die Taste Manuelle Kaffeetasse (4), um den Abfluss von heißem Wasser zu stoppen. Wenn Sie den Wasserfluss sofort stoppen müssen, drücken Sie erneut die Taste Manuelle Kaffeetasse (4).
6. Wenn Sie fertig sind, schalten Sie den Dampfkopf (10) aus und drücken Sie den Netzschalter (3) aus.
7. Das heiße Wasser kann zum Trinken, Reinigen oder Erhitzen von Tassen verwendet werden, bevor Sie Ihren Kaffee einschenken.

### Reinigung und Wartung

1. Schalten Sie den Netzschalter (3) aus, ziehen Sie den Netzstecker und reinigen Sie das Gerät nach dem vollständigen Abkühlen.
  2. Entleeren Sie den Wassertank (9) nach Gebrauch immer. Reinigen Sie den Wassertank (9) von Zeit zu Zeit mit einem feuchten Schwamm oder Tuch.
  3. Nehmen Sie den Filter (18) ab und entfernen Sie verbrauchten Kaffee aus dem Filter. Wenn die Filterlöcher mit Kaffee verstopft sind, reinigen Sie ihn mit einer Bürste. Sie können den Kaffeetrichter (20) abschrauben und den Kaffeesatz im Filtergehäuse (17) reinigen.
  4. Die Becher, der Wassertank (9), das Tropfgitter (6), die herausnehmbare Tropfschale (7) und der Filter (15 + 16 + 17 + 18 + 20) können mit einem milden Reinigungsmittel ohne Schleifmittel oder Lösungsmittel in Wasser gewaschen werden. Äußere Teile sollten mit einem weichen Tuch oder Schwamm gereinigt werden. Stark abrasive Reinigungsmittel oder Bürsten können Kratzer auf der Oberfläche verursachen.
- Hinweis: Verwenden Sie keinen Alkohol- oder Lösungsmittelreiniger und tauchen Sie die Maschine zum Reinigen nicht in Wasser.

### ENTKALKUNG

Wenn das Aufbrühen von Kaffee länger dauert als zu Beginn des Gebrauchs oder die Dampfdüse (13) keinen Dampf erzeugt, sollte das Gerät entkalkt werden. Wenn hartes Wasser verwendet wird, sollte das Gerät nach ungefähr 40-maligem Gebrauch entkalkt werden. Wenn weiches Wasser verwendet wird, kann die Maschine nach ungefähr 80-maligem Gebrauch entkalkt werden. Der Flüssigkeitsentkalker der Espressomaschine kann zum Entkalken des Geräts verwendet werden. Stellen Sie vor dem Entkalken sicher, dass das Gerät von der Stromversorgung getrennt ist.

- 1) Gießen Sie ungefähr 250 ml lauwarmes Wasser und fügen Sie dann 250 ml flüssigen Entkalker der Espressomaschine hinzu.
- 2) Setzen Sie den Filter (15 + 16 + 17 + 18 + 20) in verriegelter Position in das Gerät ein. Stellen Sie dann eine Tasse, die zur Hälfte mit kaltem Wasser gefüllt ist, unter die Dampfdüse (13) und eine leere Tasse unter den Filtertrichter (20).
- 3) Schließen Sie das Gerät an die Stromversorgung an.
- 4) Drücken Sie den Netzschalter (3).
- 5) Drücken Sie dann die Auto Single Cup-Taste (1).
- 6) Wenn der Entkalker in einen leeren Becher fließt, setzen Sie die Spitze der Dampfdüse (13) in einen mit kaltem Wasser gefüllten Becher und drücken Sie den Dampfkopf (5).
- 7) Warten Sie einige Sekunden und schalten Sie das Gerät aus. Nach dem Entkalken muss das Gerät dreimal mit sauberem Wasser gespült werden. Wiederholen Sie dazu die Schritte 1 bis 7 und füllen Sie den Wassertank (9) nur mit sauberem Wasser.

### Störungssuche

Symptom: Kein Wasser / kein Dampf

Grund 1: Hat der Wassertank (9) Wasser im Inneren / ist vorhanden?

Lösung 1: Füllen Sie Wasser in den Tank (9).

Grund 2: Der Maschine wird im Voraus kein Wasser hinzugefügt.

Lösung 2: Methode der Wasserzugabe: Drücken Sie die Taste für die manuelle Kaffeetasse (4), die Pumpe pumpt Wasser in das Gerät und drücken Sie nach einigen Sekunden die Taste für die manuelle Kaffeetasse (4).

Grund 3: Die Maschine führt das Vorheizen nicht durch.

Lösung 3: Warten Sie. Die Maschine kann nach dem Aufwärmen Kaffee kochen. Das Aufwärmen ist abgeschlossen, wenn die Lichtanzeige (19) von blau blinkend auf immer blau wechselt.

Symptom: Kein Dampf

Grund 1: Dampfloch blockiert

Lösung 1: Stechen Sie mit einem kleinen Draht in das kleine Loch im Boden der Dampfdüse (13) und reinigen Sie es auf diese Weise.

Lösung 2: Führen Sie nach Beendigung des Milchschaums eine Heißwasserfunktion durch, um das Dampfrohr zu reinigen.

Symptom: Schlechter Milchschaum

Grund 1: Ist es Vollmilch?

Lösung 1: Verwenden Sie Vollmilch.

Symptom: Schlechter Milchschaum

Grund 1: Der Dampfkopf (5) beginnt Milchschaum aufzuschäumen, bevor das Gerät vollständig aufgewärmt ist.

Lösung 1: Warten Sie. Beginnen Sie mit dem Dämpfen, nachdem die Lichtanzeige (19) ihre Farbe von rot blinkend auf durchgehend rot geändert hat.

#### TECHNISCHE DATEN:

Fassungsvermögen max.: 1,6 Liter

Spannung: 220-240 V ~ 50/60 Hz

Leistung: 850W

Leistung max: 1000W

Druck: 15 bar



Den Pappkarton im Altpapier entsorgen. Polyäthylenbeutel (PE) in dem Behälter für Kunststoff entsorgen. Das abgenutzte Gerät zum Recycling zu einer offiziellen Sammelstelle bringen, da es gefährliche Substanzen enthält, die die Umwelt gefährden können. Das Gerät sollte in einer Form abgegeben werden, die eine weitere Nutzung unmöglich macht. Wenn es Batterien enthält, sollten diese rausgenommen und separat an einer Sammelstelle abgegeben werden. Das Gerät darf nicht in den Hausmüll rausgeworfen werden!!

### (FR) FRANÇAIS

## CONDITIONS GÉNÉRALES DE SÉCURITÉ CONSIGNES DE SÉCURITÉ IMPORTANTES. VEUILLEZ LIRE ATTENTIVEMENT ET ÉCONOMISER POUR LE FUTUR

1. Avant d'utiliser l'appareil, lisez le mode d'emploi et suivez les instructions qu'il contient.
2. L'appareil est destiné à un usage domestique uniquement. Ne pas utiliser à d'autres fins qui ne sont pas conformes à sa destination.
3. L'appareil ne doit être connecté qu'à une prise mise à la terre 220-240 V ~ 50/60 Hz. Pour augmenter la sécurité de fonctionnement, plusieurs appareils électriques ne doivent pas être connectés à un même circuit de courant en même temps.
4. Soyez extrêmement prudent lorsque vous utilisez l'appareil lorsque des enfants sont à proximité.
5. **AVERTISSEMENT:** Cet équipement peut être utilisé par des enfants de plus de 8 ans et des personnes ayant une capacité physique, sensorielle ou mentale réduite, ou des personnes qui n'ont aucune expérience ou connaissance de l'équipement, si cela est fait sous la supervision d'une personne responsable pour leur sécurité ou ont reçu des informations sur l'utilisation en toute sécurité de l'appareil et sont conscients des dangers de son utilisation. Les enfants ne doivent pas jouer avec l'équipement. Le nettoyage et l'entretien de l'appareil ne doivent pas être effectués par des enfants, sauf s'ils ont plus de 8 ans et que ces activités sont effectuées sous surveillance.
6. Faites bouillir l'eau dans le réservoir et versez-la deux fois pour éliminer l'odeur avant la première utilisation.
7. Retirez toujours la fiche de la prise de courant après utilisation en tenant la prise avec votre main après utilisation.
8. Lorsque vous retirez la fiche de la prise, ne tirez jamais sur le cordon d'alimentation mais

sur la fiche.

9. N'exposez pas l'appareil aux conditions atmosphériques (pluie, soleil, etc.) et ne l'utilisez pas dans des conditions de forte humidité (salles de bains, maisons mobiles humides).
10. N'immergez pas le câble, la fiche et l'appareil dans l'eau ou tout autre liquide.
11. Vérifiez régulièrement l'état du cordon d'alimentation. Si le cordon d'alimentation est endommagé, il doit être remplacé par un atelier de réparation spécialisé pour éviter tout danger.
12. N'utilisez pas l'appareil avec un cordon d'alimentation endommagé ou s'il est tombé ou endommagé de toute autre manière ou s'il ne fonctionne pas correctement. Ne réparez pas l'appareil vous-même, car il existe un risque de choc électrique. Apportez l'appareil endommagé à un centre de service approprié pour vérification ou réparation. Toutes les réparations ne peuvent être effectuées que par des points de service agréés. Des réparations mal effectuées peuvent entraîner un grave danger pour l'utilisateur.
13. Placez l'appareil sur une surface fraîche et stable, loin des appareils de cuisine chauds tels que: cuisinière électrique, brûleur à gaz, etc.
14. N'utilisez pas l'appareil à proximité de matériaux inflammables.
15. Le cordon d'alimentation ne doit pas pendre sur le bord d'une table ou toucher des surfaces chaudes. Le fabricant n'est pas responsable des dommages causés par l'utilisation de l'appareil contraire à sa destination ou à un fonctionnement incorrect. Ne laissez pas les enfants jouer avec l'appareil, ne permettez pas aux enfants ou aux personnes qui ne connaissent pas l'appareil de l'utiliser.
16. Ne laissez pas l'appareil sous tension ou l'adaptateur sans surveillance lorsqu'il est sans surveillance.
17. Pour fournir une protection supplémentaire, il est conseillé d'installer un dispositif de courant résiduel (RCD) dans le circuit électrique avec un courant résiduel nominal ne dépassant pas 30 mA. Demandez conseil à un électricien.
18. N'utilisez jamais l'appareil sans eau! Il peut être endommagé.
19. Ne dirigez jamais un jet de vapeur ou d'eau chaude vers votre corps.
20. N'utilisez jamais l'appareil avec de l'eau gazeuse !!!
21. Ne laissez jamais l'appareil à une température inférieure à 0 degrés Celsius, car cela pourrait l'endommager.
22. Débranchez toujours la machine avant de remplir le réservoir d'eau.
23. Nettoyez et inspectez régulièrement la machine pour garantir la qualité du café obtenu et prolonger la durée de vie de la machine.
24. Débranchez toujours la source d'alimentation avant de nettoyer et laissez refroidir toutes les pièces chaudes. L'appareil doit être nettoyé avec un détergent doux non abrasif. N'utilisez jamais de solvant de nettoyage car cela pourrait endommager la couche de peinture.
25. Pour détartrer la machine, utilisez un détartrant liquide conçu pour les cafetières à pression.
26. Pendant l'utilisation, ne touchez jamais le boîtier du filtre ou la buse de mousse de lait,

car il y a un risque de brûlure.

27. Utilisez uniquement des accessoires d'origine.

28. Ne déplacez pas ou ne déplacez pas l'appareil pendant son fonctionnement.

Cette machine a des fonctions classiques d'espresso concentré italien et de café cappuccino. Riche arôme et mousse de café, facile à utiliser et sûr, facile à nettoyer.

DESCRIPTION DU PRODUIT: MACHINE À CAFÉ Cr4410

1. Auto Single Cup - bouton pour la préparation automatique d'une tasse de café
2. Auto Double Cup - bouton pour la préparation automatique de 2 tasses de café
3. Bouton d'alimentation
4. Bouton de tasse à café manuelle
5. Bouton vapeur
6. Grille d'égouttement
7. Bac d'égouttement amovible
8. Couvercle du réservoir d'eau
9. Réservoir d'eau 1600 ml
10. Bouton de vapeur
11. Boîtier principal
12. Poignée de buse à vapeur
13. Buse à vapeur
14. Cuillère à mesurer
15. Poignée du filtre
16. Clip de retenue du filtre
17. Boîtier de filtre
18. Filtre pour café moulu pour 1 tasse
19. Indicateur lumineux
20. Entonnoir
21. Marque de déverrouillage
22. Marque de verrouillage
23. Marque de fonction eau chaude
24. Filtre pour café moulu pour 2 tasses

Mode d'emploi

Avant d'utiliser pour la première fois

Après avoir débarrassé l'appareil, vérifiez avec tous les boutons disponibles et le bouton de vapeur (10) éteint en position "OFF". Avant d'appliquer, essuyez l'appareil (voir Nettoyage et entretien).

1. Retirez le réservoir d'eau (9), versez de l'eau dans le réservoir d'eau (9), le niveau d'eau ne doit pas dépasser le repère "MAX". Il est recommandé d'utiliser de l'eau filtrée. Cela empêche l'accumulation de chaux et améliore le goût du café préparé. N'utilisez pas d'eau gazeuse.
2. Faites couler de l'eau chaude deux fois (instructions ci-dessous) pour éliminer la nouvelle odeur d'usine avant la première utilisation.
3. Branchez et appuyez sur le bouton d'alimentation (3). À ce moment, le voyant lumineux (19) clignote en bleu. Appuyez sur le bouton Manual Coffee Cup (4) pour faire fonctionner la pompe, pompant l'eau du réservoir d'eau vers l'appareil de chauffage.
4. L'appareil commence à préchauffer, à ce moment, le voyant lumineux (19) clignote en bleu; lorsque la lumière bleue cesse de clignoter et allume un éclairage bleu continu, l'échauffement est terminé, cela prend environ 2 minutes.
5. Appuyez sur le bouton Auto Single Cup (1) pour laisser l'eau chaude sortir pour laver le filtre à café (18).
6. Répétez les étapes 3, 4, 5 ci-dessus.
7. Videz la condensation de l'eau et du café du bac d'égouttement amovible (7).

Comment faire du café expresso?

Connectez l'appareil à l'alimentation et appuyez sur le bouton d'alimentation (3). À ce moment, le voyant (19) clignote en bleu, attendez qu'il cesse de clignoter, puis l'appareil finira de chauffer et sera prêt à l'emploi.

1. Pendant que l'appareil préchauffe, vous pouvez mettre la poudre de café moulu (vous devez utiliser la poudre fine, ni trop épaisse ni trop fine) dans le filtre à café moulu (18). Pour une tasse à expresso, utilisez une cuillère-mesure (14) de votre café moulu préféré. Pour deux tasses à expresso, utilisez 1,5 cuillère-mesure (14) de votre café moulu préféré. Utilisez ensuite la poignée de la cuillère-mesure (14) pour la presser fermement; en même temps, essuyez la poudre de café sur le bord du filtre (18). Vous pouvez également utiliser le filtre (24) adapté à une capacité de 2 tasses de café moulu.
2. Insérez le filtre rempli de café moulu (18) dans le boîtier de filtre (17), gardez-le par la poignée du filtre (15). Placez le filtre avec du café moulu sous le repère de déverrouillage (21), puis déplacez-le du côté droit pour le verrouiller, juste sous le repère de verrouillage (22), puis placez la tasse de café (ou 2 tasses) sous l'entonnoir (20).
3. Ajustez la position de la tasse de café (ou 2 tasses en même temps), laissez le café couler le long de la paroi de la tasse.
4. Appuyez sur:
  - le bouton Auto Single Cup (1), vous entendrez un son di-di, puis il commencera à couler un café dans votre tasse. Les arrêts de café coulent automatiquement, vous entendrez un son di-di-di-di-di. Le café simple a une capacité d'environ 100 ml.
  - le bouton Auto Double Cup (2), vous entendrez un son di-di, puis il commencera à distribuer le café à 2 tasses en même temps. Les arrêts de café coulent automatiquement, vous entendrez un son di-di-di-di-di.
  - le bouton Manual Coffee Cup (4) pour faire couler le café aussi longtemps que vous le souhaitez. Une fois que la quantité de café aura atteint le niveau souhaité, appuyez à nouveau sur le bouton Manual Coffee Cup (4) pour arrêter l'écoulement du café. Ne laissez pas l'appareil sans surveillance, il pourrait déborder du café.
5. Attendez une minute que le café coule et le café est prêt.

Fonction moussage à la vapeur

1. Appuyez sur le bouton Vapeur (5), l'indicateur lumineux (19) devient rouge et clignote, lorsque le voyant rouge passe du clignotement au voyant rouge continu, le préchauffage est terminé.

2. La quantité de vapeur peut être ajustée en fonction des compétences de l'individu. Avant de faire mousser la mousse de lait, vous devez libérer l'eau dans la buse vapeur (13). Il est recommandé de verser le lait dans le 1/3 de hauteur du pichet, d'insérer la buse vapeur (13) dans le lait à 1 cm de profondeur, puis de dévisser lentement le bouton vapeur (10) jusqu'à ce que la vapeur commence à s'éjecter. Vous pouvez légèrement balancer le pichet, mais ne touchez pas le fond du pichet avec la buse vapeur (13).
  3. Lorsque la température du lait atteint environ 75 degrés Celsius et que la mousse de lait commence à se dilater, tournez le bouton de vapeur (10) en position "OFF", éteignez le bouton de vapeur (5) pour faire l'indicateur lumineux (19) devient bleu, appuyez directement sur le bouton d'alimentation (3) pour éteindre l'appareil.
- Une fois la mousse de lait terminée, nettoyez le lait sur la surface de la buse vapeur avec un chiffon humide à temps et vaporisez la vapeur pour empêcher le lait de sécher et de bloquer l'événement.

#### Comment faire du café cappuccino?

1. Préparez des tasses de plus grand volume adaptées au café cappuccino.
2. Préparez le café selon les points 1 à 5 décrits en partie: Comment faire du café expresso?
3. Préparez la mousse de lait selon les points 1-3 décrits en partie: Fonction moussage à la vapeur.
4. Secouez ensuite le pichet sur la table pour que la mousse de lait soit bien mélangée et versez-la dans la tasse avec du café.

#### Fonction eau chaude

1. Appuyez sur le bouton d'alimentation (3).
2. L'appareil commence à préchauffer, à ce moment, le voyant lumineux (19) clignote en bleu; lorsque la lumière bleue cesse de clignoter et allume un éclairage bleu continu, l'échauffement est terminé, cela prend environ 2 minutes.
3. Placez la tasse sous la buse vapeur (13).
4. Tournez le bouton vapeur (10) jusqu'à ce que la buse vapeur (13) s'écoule de l'eau chaude. Le bouton doit dépasser la position du repère de fonction eau chaude (23).
5. Appuyez sur:
  - le bouton Auto Single Cup (1), vous entendrez un son di-di, puis il commencera à couler de l'eau chaude - environ 150 ml - vers votre tasse. Les arrêts d'eau s'écoulent automatiquement, vous entendrez un son di-di-di-di-di. Si vous devez arrêter l'écoulement d'eau immédiatement, appuyez à nouveau sur le bouton Auto Single Cup (1).
  - le bouton Auto Double Cup (2), vous entendrez un son di-di, puis il commencera à couler l'eau - environ 250 ml - vers votre tasse. Les arrêts d'eau s'écoulent automatiquement, vous entendrez un son di-di-di-di-di. Si vous devez arrêter l'écoulement d'eau immédiatement, appuyez à nouveau sur le bouton Auto Double Cup (2).
  - le bouton Manual Coffee Cup (4) pour faire sortir l'eau chaude aussi longtemps que nécessaire. Ne laissez pas l'appareil sans contrôle.
- Une fois que la quantité d'eau chaude sera le niveau souhaité, appuyez à nouveau sur le bouton Manual Coffee Cup (4) pour arrêter l'écoulement de l'eau chaude. Si vous devez arrêter l'écoulement de l'eau immédiatement, appuyez à nouveau sur le bouton Manual Coffee Cup (4).
6. Une fois terminé, éteignez le bouton Steam (10), puis appuyez sur le bouton d'alimentation (3).
7. L'eau chaude peut être utilisée pour boire, nettoyer ou chauffer des tasses avant de verser votre café.

#### Nettoyage et entretien

1. Éteignez le bouton d'alimentation (3), débranchez-le et nettoyez l'appareil après refroidissement complet.
  2. Videz toujours le réservoir d'eau (9) après utilisation. De temps en temps, nettoyez le réservoir d'eau (9) avec une éponge ou un chiffon humide.
  3. Retirez le filtre (18) et retirez le café usagé du filtre. Si les trous du filtre sont bouchés par du café, utilisez une brosse pour le nettoyer. Vous pouvez dévisser l'entonnoir à café (20) et nettoyer le marc de café dans le boîtier du filtre (17).
  4. Les tasses, le réservoir d'eau (9), la grille d'égouttement (6), le plateau d'égouttement amovible (7), le filtre (15 + 16 + 17 + 18 + 20) peuvent être lavés à l'eau avec un détergent doux sans substances abrasives ni solvants. Les parties externes doivent être nettoyées avec un chiffon doux ou une éponge. Les nettoyants ou brosses très abrasifs peuvent provoquer des rayures sur la surface.
- Remarque: N'utilisez pas d'alcool ou de nettoyant à solvant et n'immergez pas la machine dans l'eau à nettoyer.

#### DÉCALCIFICATION

Si la préparation du café prend plus de temps qu'au début de l'utilisation ou si la buse vapeur (13) ne produit pas de vapeur, l'appareil doit être décalcifié. Si de l'eau dure est utilisée, l'appareil doit être détartré après avoir été utilisé environ 40 fois. Si de l'eau douce est utilisée, la machine peut être détartrée après avoir été utilisée environ 80 fois. Le détartrant liquide pour machine à expresso peut être utilisé pour détartrer l'appareil. Avant de détartrer, assurez-vous que l'appareil est déconnecté de l'alimentation électrique.

- 1) Versez environ 250 ml d'eau tiède, puis ajoutez 250 ml de détartrant liquide pour machine à expresso.
- 2) Placez le filtre (15 + 16 + 17 + 18 + 20) en position verrouillée dans l'appareil. Placer ensuite une tasse à moitié remplie d'eau froide sous la buse vapeur (13) et une tasse vide sous l'entonnoir du filtre (20).
- 3) Connectez l'appareil à l'alimentation.
- 4) Appuyez sur le bouton d'alimentation (3).
- 5) Appuyez ensuite sur le bouton Auto Single Cup (1).
- 6) Lorsque le détartrant commence à couler dans une tasse vide, insérez la pointe de la buse vapeur (13) dans une tasse remplie d'eau froide et appuyez sur le bouton vapeur (5).
- 7) Attendez quelques secondes et éteignez l'appareil. Après détartrage, l'appareil doit être rincé trois fois à l'eau claire. Pour ce faire,

répétez les étapes 1 à 7 en remplissant le réservoir d'eau (9) uniquement avec de l'eau propre.

#### dépannage

Symptôme: pas d'eau / pas de vapeur

Raison 1: si le réservoir d'eau (9) a de l'eau à l'intérieur / est en place?

Solution 1: ajoutez de l'eau dans le réservoir (9).

Raison 2: aucune eau n'est ajoutée à l'avance dans la machine.

Solution 2: Méthode d'ajout d'eau: appuyez sur le bouton Manual Coffee Cup (4), la pompe commence à pomper de l'eau dans l'appareil, appuyez sur le bouton Manual Coffee Cup (4) après quelques secondes.

Raison 3: La machine ne termine pas le préchauffage.

Solution 3: attendez. La machine peut faire du café une fois le préchauffage terminé. Le préchauffage est terminé lorsque le voyant lumineux (19) passe du bleu clignotant à toujours allumé en bleu.

Symptôme: pas de vapeur

Raison 1: trou de vapeur bouché

Solution 1: Utilisez un petit fil pour percer le petit trou au bas de la buse vapeur (13), nettoyez-le de cette façon.

Solution 2. Une fois la mousse de lait terminée, effectuez une fonction d'eau chaude pour nettoyer le tube de vapeur.

Symptôme: mauvaise mousse de lait

Raison 1: s'agit-il de lait entier?

Solution 1: utilisez du lait entier.

Symptôme: mauvaise mousse de lait

Raison 1: le bouton vapeur (5) commence à faire mousser la mousse de lait avant que l'appareil ne soit complètement réchauffé.

Solution 1: attendez. Commencez à cuire à la vapeur après que l'indicateur lumineux (19) change de couleur du rouge clignotant au rouge continu.

#### DONNÉES TECHNIQUES:


Capacité max: 1,6 litres

Tension: 220-240V ~ 50 / 60Hz

Puissance: 850W

Puissance max: 1000W

Pression: 15 bars

 Respect de l'environnement. Nous vous prions de bien vouloir trier les emballages en carton ainsi que les sachets plastiques (en polyéthylène). L'appareil usagé ne doit pas être jeté à la poubelle mais remis au point de collecte prévu à cet effet car il contient des éléments pouvant être nocifs pour l'environnement. L'appareil électrique doit être remis de manière à limiter au maximum une éventuelle utilisation ultérieure. Si l'appareil contient des piles, il faut les retirer et les remettre à un autre point de collecte.  
Ne pas jeter l'appareil dans une poubelle de déchets ménagers !!!

#### (ES) ESPAÑOL

### CONDICIONES GENERALES DE SEGURIDAD INSTRUCCIONES IMPORTANTES DE SEGURIDAD. LEA CUIDADOSAMENTE Y GUARDE PARA

1. Antes de usar el dispositivo, lea el manual de operación y siga las instrucciones contenidas en él.
2. El dispositivo es solo para uso doméstico. No lo use para otros fines que no sean para los fines previstos.
3. El dispositivo solo debe conectarse a una toma de tierra de 220-240 V ~ 50/60 Hz. Para aumentar la seguridad operativa, no se deben conectar varios dispositivos eléctricos a un circuito de corriente al mismo tiempo.
4. Tenga mucho cuidado al usar el dispositivo cuando haya niños cerca.
5. **ADVERTENCIA:** Este equipo puede ser utilizado por niños mayores de 8 años y personas con capacidad física, sensorial o mental reducida, o personas que no tienen experiencia o conocimiento del equipo, si esto se hace bajo la supervisión de una persona responsable. por su seguridad o se les ha otorgado información sobre el uso seguro del dispositivo y son



conscientes de los peligros de su uso. Los niños no deben jugar con el equipo. La limpieza y el mantenimiento del dispositivo no deben ser realizados por niños, a menos que tengan más de 8 años y estas actividades se realicen bajo supervisión.

6. Hierva el agua en el tanque y viértala dos veces para eliminar el olor antes del primer uso.

7. Retire siempre el enchufe de la toma de corriente después de usarlo, sosteniéndolo con la mano después de usarlo.

8. Cuando retire el enchufe de la toma de corriente, nunca tire del cable de alimentación sino del enchufe.

9. No exponga el dispositivo a condiciones atmosféricas (lluvia, sol, etc.) ni lo use en condiciones de alta humedad (baños, casas móviles húmedas).

10. No sumerja el cable, el enchufe y el dispositivo en agua o cualquier otro líquido.

11. Verifique periódicamente el estado del cable de alimentación. Si el cable de alimentación está dañado, debe ser reemplazado por un taller de reparación especializado para evitar peligros.

12. No utilice el dispositivo con un cable de alimentación dañado o si se ha caído o dañado de alguna otra manera o si no funciona correctamente. No repare el dispositivo usted mismo, ya que existe el riesgo de descarga eléctrica. Lleve el dispositivo dañado a un centro de servicio apropiado para su revisión o reparación. Todas las reparaciones solo pueden llevarse a cabo en puntos de servicio autorizados. Las reparaciones realizadas incorrectamente pueden causar serios peligros para el usuario.

13. Coloque el dispositivo sobre una superficie fresca y estable, lejos de electrodomésticos de cocina calientes como: estufa eléctrica, quemador de gas, etc.

14. No utilice el dispositivo cerca de materiales inflamables.

15. El cable de alimentación no puede colgar sobre el borde de una mesa ni tocar superficies calientes. El fabricante no se hace responsable de los daños causados por el uso del dispositivo contrario a su propósito previsto u operación incorrecta. No permita que los niños jueguen con el dispositivo, no permita que lo usen niños o personas que no estén familiarizadas con el dispositivo.

16. No deje el dispositivo encendido o el adaptador desatendido cuando esté desatendido.

17. Para proporcionar protección adicional, es aconsejable instalar un dispositivo de corriente residual (RCD) en el circuito eléctrico con una corriente residual nominal que no exceda los 30 mA. Pídale a un electricista este consejo.

18. ¡Nunca use el dispositivo sin agua! Puede estar dañado.

19. Nunca dirija una corriente de vapor caliente o agua hacia su cuerpo.

20. ¡Nunca use el dispositivo con agua con gas!

21. Nunca deje el dispositivo a una temperatura inferior a 0 grados Celsius, ya que puede dañarlo.

22. Desenchufe siempre la máquina antes de llenar el tanque con agua.

23. Limpie e inspeccione regularmente la máquina para garantizar la calidad del café obtenido y extender la vida útil de la máquina.

24. Desconecte siempre la fuente de alimentación antes de limpiar y permita que todas las partes calientes se enfrien. El dispositivo debe limpiarse con un detergente suave no abrasivo. Nunca use solvente de limpieza ya que esto podría dañar la capa de pintura.
25. Para descalcificar la máquina, use un descalcificador líquido diseñado para cafeteras a presión.
26. Durante el uso, nunca toque la carcasa del filtro o la boquilla de espuma de leche, ya que existe el riesgo de quemaduras.
27. Use solo accesorios originales.
28. No mueva ni mueva el dispositivo durante la operación.

Esta máquina tiene las funciones clásicas del espresso concentrado italiano y el café capuchino. Rico aroma y espuma de café, fácil de operar y seguro, fácil de limpiar.

#### DESCRIPCIÓN DEL PRODUCTO: CAFETERA Cr4410

- |   |  |
|---|--|
| 1. Auto Single Cup - botón para la preparación automática de 1 taza de café       |  |
| 2. Taza doble automática: botón para la preparación automática de 2 tazas de café |  |
| 3. Botón de encendido   | 4. Botón de taza de café manual          |
| 5. Botón Steam  | 6. Rejilla de goteo                      |
| 7. Bandeja de goteo extraíble   | 8. Tapa del tanque de agua               |
| 9. Depósito de agua 1600ml  | 10. Perilla de vapor                     |
| 11. Carcasa principal   | 12. Mango de la boquilla de vapor        |
| 13. Boquilla de vapor   | 14. Cuchara dosificadora                 |
| 15. Asa del filtro  | 16. Clip de retención del filtro         |
| 17. Caja del filtro   | 18. Filtro para café molido para 1 taza  |
| 19. Indicador luminoso  | 20. Embudo                               |
| 21. Marca de desbloqueo   | 22. Marca de bloqueo                     |
| 23. Marca de función de agua caliente   | 24. Filtro para café molido para 2 tazas |

#### Instrucciones de operación

Antes de usar por primera vez

Después de desempacar el dispositivo, verifique con todos los botones disponibles y la perilla de vapor (10) apagada en la posición "APAGADO". Antes de aplicar, limpie el dispositivo (consulte Limpieza y mantenimiento).

1. Retire el tanque de agua (9), vierta agua en el tanque de agua (9), el nivel de agua no debe exceder la marca "MAX". Se recomienda usar agua filtrada. Esto evita la acumulación de cal y mejora el sabor del café preparado. No use agua de soda.
2. Haga correr agua caliente dos veces (instrucciones a continuación) para eliminar el olor nuevo de fábrica antes del primer uso.
3. Enchúfelo y presione el botón de encendido (3). En este momento, el indicador luminoso (19) parpadea en azul. Presione el botón Manual Coffee Cup (4) para hacer funcionar la bomba, bombeando agua desde el tanque de agua al dispositivo para calentarla.
4. El dispositivo comienza a precalentarse, en este momento, el indicador luminoso (19) parpadea en azul; cuando la luz azul deja de parpadear y enciende una luz azul continua, el calentamiento se completa, demora aproximadamente 2 minutos.
5. Presione el botón Auto Single Cup (1) para dejar salir el agua caliente y lavar el filtro de café (18).
6. Repita los pasos 3, 4 y 5 anteriores.
7. Vacíe la condensación del agua y el café de la bandeja de goteo extraíble (7).

¿Cómo hacer café expés?

Conecte el dispositivo a la fuente de alimentación y presione el botón de encendido (3). En este momento, la luz indicadora (19) parpadea en azul, espere hasta que deje de parpadear, luego el dispositivo terminará de calentarse y estará listo para su uso.

1. Mientras el dispositivo se está precalentando, puede colocar el café molido en polvo (debe usar el polvo fino, no demasiado grueso o demasiado delgado) en el filtro de café molido (18). Para una taza de café expés, use una cuchara dosificadora (14) de su café molido favorito. Para dos tazas de café expés, use 1,5 cucharas medidoras (14) de su café molido favorito. Luego use el mango de la cuchara dosificadora (14) para presionarlo firmemente; Al mismo tiempo, limpie el café en polvo en el borde del filtro (18). También puede utilizar el filtro (24) adecuado para 2 tazas de café molido.
2. Inserte el filtro lleno de café molido (18) en la carcasa del filtro (17), guárdelo por el asa del filtro (15). Coloque el filtro con café molido debajo de la marca de desbloqueo (21), luego muévelo hacia la derecha para bloquearlo, justo debajo de la marca de bloqueo (22), luego coloque la taza de café (o 2 tazas) debajo del embudo (20).
3. Ajuste la posición de la taza de café (o 2 tazas al mismo tiempo), deje que el café fluya a lo largo de la pared de la taza.
4. Presione:
  - el botón Auto Single Cup (1), escuchará un sonido di-di, luego comienza a fluir un café a su taza. El café deja de fluir automáticamente, escuchará el sonido di-di-di-di-di. El café individual tiene una capacidad de alrededor de 100 ml.

- el botón Auto Double Cup (2), escuchará un sonido di-di, luego comienza a fluir el café a 2 tazas al mismo tiempo. El café deja de fluir automáticamente, escuchará el sonido di-di-di-di.
  - el botón del botón Manual Coffee Cup (4) para que salga el café todo el tiempo que desee. Después de que la cantidad de café alcance el nivel deseado, presione nuevamente el botón de la Taza de café manual (4) para detener el flujo de café. No deje el aparato desatendido, puede desbordar el café.
5. Espere un minuto para que el café gotee y el café esté listo.

#### Función de espuma de vapor

1. Presione el botón Steam (5), el indicador de luz (19) se pondrá rojo y parpadeará, cuando la luz roja cambie de parpadear a luz roja continua, el precalentamiento está completo.
  2. La cantidad de vapor se puede ajustar de acuerdo con la competencia del individuo. Antes de espumar la espuma de leche, debe liberar el agua en la boquilla de vapor (13). Se recomienda verter la leche a 1/3 de la jarra, insertar la boquilla de vapor (13) en la leche a 1 cm de profundidad y luego desenroscar lentamente la perilla de vapor (10) hasta que el vapor comience a expulsar. Puede balancear un poco la jarra, pero no toque el fondo de la jarra con la boquilla de vapor (13).
  3. Cuando la temperatura de la leche alcanza aproximadamente 75 grados centígrados y la espuma de leche comienza a expandirse, gire la perilla de vapor (10) a la posición "APAGADO", apague el botón de vapor (5) para hacer que el indicador luminoso (19) se vuelva azul, presione el botón de encendido (3) directamente para apagar el dispositivo.
- Una vez completada la espuma de leche, limpie la leche en la superficie de la boquilla de vapor con un paño húmedo a tiempo y rocíe el vapor para evitar que la leche se seque y bloquee la ventilación.

#### ¿Cómo hacer café capuchino?

1. Prepare tazas de mayor volumen adecuadas para café capuchino.
2. Prepare el café de acuerdo con los puntos 1-5 descritos en la parte: ¿Cómo preparar café expreso?
3. Prepare la espuma de leche de acuerdo con los puntos 1-3 descritos en la parte: Función de espuma de vapor.
4. Luego agite la jarra sobre la mesa para que la espuma de leche se mezcle completamente y viértala en la taza con café.

#### Función de agua caliente

1. Presionando el botón de encendido (3).
2. El dispositivo comienza a precalentarse, en este momento, el indicador luminoso (19) parpadea en azul; cuando la luz azul deja de parpadear y enciende una luz azul continua, el calentamiento se completa, demora aproximadamente 2 minutos.
3. Coloque la taza debajo de la boquilla de vapor (13).
4. Gire la perilla de vapor (10) hasta que la boquilla de vapor (13) fluya agua caliente. La perilla debe exceder la posición de la marca de función de agua caliente (23).
5. Presione:
  - el botón Auto Single Cup (1), escuchará un sonido di-di, luego comenzará a salir agua caliente (alrededor de 150 ml) a su taza. El agua detiene el flujo automáticamente, escuchará el sonido di-di-di-di-di. Si tiene que detener el flujo de agua, presione nuevamente el botón Auto Single Cup (1) nuevamente.
  - el botón Auto Double Cup (2), escuchará un sonido di-di, luego comienza a fluir del agua - alrededor de 250 ml - a su taza. El agua detiene el flujo automáticamente, escuchará el sonido di-di-di-di-di. Si tiene que detener el flujo de agua, presione nuevamente el botón Auto Double Cup (2) nuevamente.
  - el botón del botón de la taza de café manual (4) para hacer salir el agua caliente todo el tiempo que sea necesario. No deje el dispositivo sin control. Después de que la cantidad de agua caliente alcance el nivel deseado, presione nuevamente el botón de la Taza de café manual (4) para detener el flujo de agua caliente. Si tiene que detener el flujo de agua, presione nuevamente el botón Manual Coffee Cup (4) nuevamente.
6. Cuando termine, apague la perilla de Steam (10), luego presione el botón de encendido (3).
7. El agua caliente se puede usar para beber, limpiar o calentar tazas antes de servir el café.

#### Limpieza y mantenimiento

1. Apague el botón de encendido (3), desenchúfelo y limpie el dispositivo después de enfriarlo por completo.
  2. Vacíe siempre el depósito de agua (9) después de su uso. De vez en cuando, limpie el tanque de agua (9) con una esponja o paño húmedo.
  3. Separe el filtro (18) y retire el café usado del filtro. Si los agujeros del filtro están obstruidos con café, use un cepillo para limpiarlo. Puede desenroscar el embudo de café (20) y limpiar los posos de café en la carcasa del filtro (17).
  4. Las tazas, el tanque de agua (9), la rejilla de goteo (6), la bandeja de goteo extraíble (7), el filtro (15 + 16 + 17 + 18 + 20) se pueden lavar en agua con un detergente suave sin sustancias abrasivas o solventes. Las partes externas deben limpiarse con un paño suave o una esponja. Los limpiadores o cepillos altamente abrasivos pueden causar rasguños en la superficie.
- Nota: No use alcohol ni limpiadores solventes y no sumerja la máquina en agua para limpiarla.

#### DESCALCIFICACION

Si la preparación del café lleva más tiempo que al comienzo del uso o la boquilla de vapor (13) no produce vapor, el aparato debe descalcificarse. Si se usa agua dura, el aparato debe descalcificarse después de haber sido usado aproximadamente 40 veces. Si se usa

agua blanda, la máquina se puede descalcificar después de haberla usado aproximadamente 80 veces. El descalcificador líquido de la máquina de café espresso se puede usar para descalcificar el aparato. Antes de descalcificar, asegúrese de que el dispositivo esté desconectado de la fuente de alimentación.

- 1) Vierta aproximadamente 250 ml de agua tibia y luego agregue 250 ml de descalcificador líquido para máquina de café espresso.
- 2) Coloque el filtro (15 + 16 + 17 + 18 + 20) en posición bloqueada en el dispositivo. Luego coloque una taza llena hasta la mitad con agua fría debajo de la boquilla de vapor (13) y una taza vacía debajo del embudo del filtro (20).
- 3) Conecte el dispositivo a la fuente de alimentación.
- 4) Presione el botón de encendido (3).
- 5) Luego presione el botón Auto Single Cup (1).
- 6) Cuando el descalcificador comience a fluir hacia una taza vacía, inserte la punta de la boquilla de vapor (13) en una taza llena de agua fría y presione el botón de vapor (5).
- 7) Espere unos segundos y apague el dispositivo. Después de descalcificar, el dispositivo debe enjuagarse tres veces con agua limpia. Para hacerlo, repita los pasos 1 a 7 llenando el tanque de agua (9) solo con agua limpia.

#### Solución de problemas

Síntoma: sin agua / sin vapor

Razón 1: ¿El tanque de agua (9) tiene agua adentro / está en su lugar?

Solución 1: Agregue agua al tanque (9).

Motivo 2: No se agrega agua por adelantado en la máquina.

Solución 2: Método de adición de agua: presione el botón Manual Coffee Cup (4), la bomba comienza a bombear agua al dispositivo, presione el botón Manual Coffee Cup (4) después de unos segundos.

Motivo 3: la máquina no completa el precalentamiento.

Solución 3: espera. La máquina puede preparar café después de que se haya completado el calentamiento. El calentamiento se completa cuando el indicador luminoso (19) cambia de parpadeo azul a estar siempre en azul.

Síntoma: sin vapor

Motivo 1: agujero de vapor bloqueado

Solución 1: Use un cable pequeño para pinchar el pequeño orificio en la parte inferior de la boquilla de vapor (13), límpielo de esta manera.

Solución 2. Después de terminar la espuma de leche, realice una función de agua caliente para limpiar el tubo de vapor.

Síntoma: espuma de leche mala

Razón 1: ¿es leche entera?

Solución 1: Use leche entera.

Síntoma: espuma de leche mala

Motivo 1: el botón de vapor (5) comienza a formar espuma de leche antes de que el dispositivo se caliente por completo.

Solución 1: espera. Comience a vaporizar después de que el indicador luminoso (19) cambie de color de rojo parpadeante a rojo continuo.

#### DATOS TÉCNICOS

Capacidad máxima: 1.6 litros

Voltaje: 220-240 V ~ 50 / 60Hz

Poder: 850W

Potencia máxima: 1000 W

Presión: 15 bares



Preocupación por el medio ambiente. Por favor, lleva las cajas de cartón a un sitio de reciclaje. Las bolsas de polietileno se deben tirar al cubo de la basura amarillo (para envases). El equipo gastado debe ser entregado en el punto de almacenamiento adecuado, porque las piezas que constituyen el equipo pueden suponer un peligro para el medio ambiente. Debes entregar el equipo Hay que devolver el equipo eléctrico con el fin de evitar su reutilización. Si en el equipo se encuentran pilas, hay que sacarlas y entregar por separado, en un punto de almacenamiento adecuado. No tires el equipo al contenedor para residuos urbanos!!

### (PT) PORTUGUÊS

## CONDIÇÕES GERAIS DE SEGURANÇA INSTRUÇÕES IMPORTANTES DE SEGURANÇA. POR FAVOR, LEIA COM ATENÇÃO E SALVE PARA O FUTURO

1. Antes de usar o dispositivo, leia o manual de operação e siga as instruções nele contidas.
2. O dispositivo é apenas para uso doméstico. Não use para outros fins que não sejam para o fim a que se destina.
3. O dispositivo deve ser conectado apenas a uma tomada aterrada de 220-240 V ~ 50/60 Hz. Para aumentar a segurança operacional, vários dispositivos elétricos não devem ser

conectados a um circuito de corrente ao mesmo tempo.

4. Tenha muito cuidado ao usar o dispositivo quando houver crianças por perto.

5. AVISO: Este equipamento pode ser usado por crianças acima de 8 anos de idade e pessoas com capacidade física, sensorial ou mental reduzida, ou pessoas que não têm experiência ou conhecimento do equipamento, se isso for feito sob a supervisão de uma pessoa responsável. por sua segurança ou tenham recebido informações sobre o uso seguro do dispositivo e estão cientes dos perigos de usá-lo. As crianças não devem brincar com o equipamento. A limpeza e manutenção do dispositivo não devem ser realizadas por crianças, a menos que tenham mais de 8 anos e essas atividades sejam realizadas sob supervisão.

6. Ferva a água no tanque e despeje-a duas vezes para se livrar do cheiro antes do primeiro uso.

7. Sempre remova o plugue da tomada após o uso, segurando o soquete com a mão após o uso.

8. Ao remover o plugue da tomada, nunca puxe o cabo de alimentação, mas o plugue.

9. Não exponha o dispositivo a condições atmosféricas (chuva, sol, etc.) ou use em condições de alta umidade (banheiros, casas móveis úmidas).

10. Não mergulhe o cabo, plugue e o dispositivo em água ou qualquer outro líquido.

11. Verifique periodicamente as condições do cabo de alimentação. Se o cabo de alimentação estiver danificado, ele deverá ser substituído por uma oficina especializada para evitar perigos.

12. Não use o dispositivo com um cabo de alimentação danificado ou se ele caiu ou foi danificado de qualquer outra maneira ou se não estiver funcionando corretamente. Não repare o dispositivo, pois existe o risco de choque elétrico. Leve o dispositivo danificado a um centro de serviço apropriado para verificação ou reparo. Todos os reparos podem ser realizados apenas por pontos de serviço autorizados. Reparos executados incorretamente podem causar sérios perigos ao usuário.

13. Coloque o dispositivo em uma superfície fria e estável, longe de utensílios de cozinha quentes, como: fogão elétrico, queimador de gás, etc.

14. Não use o dispositivo perto de materiais inflamáveis.

15. O cabo de alimentação pode não ficar pendurado na borda da mesa ou tocar em superfícies quentes. O fabricante não se responsabiliza por danos causados pelo uso do dispositivo contrário ao seu objetivo ou operação incorreta. Não permita que crianças brinquem com o dispositivo, não permita que crianças ou pessoas não familiarizadas com o dispositivo o usem.

16. Não deixe o dispositivo ligado ou o adaptador sem supervisão quando estiver sem supervisão.

17. Para fornecer proteção adicional, é aconselhável instalar um dispositivo de corrente residual (RCD) no circuito elétrico com uma corrente residual nominal não superior a 30 mA. Peça a um electricista esse conselho.

18. Nunca use o dispositivo sem água! Pode estar danificado.

19. Nunca direcione uma corrente de vapor quente ou água em direção ao seu corpo.

20. Nunca use o dispositivo com água com gás !!!
21. Nunca deixe o dispositivo a uma temperatura abaixo de 0 graus Celsius, pois pode danificá-lo.
22. Sempre desconecte a máquina antes de encher o tanque com água.
23. Limpe e inspecione regularmente a máquina para garantir a qualidade do café obtido e prolongar a vida útil da máquina.
24. Sempre desconecte a fonte de energia antes de limpar e deixe todas as partes quentes esfriarem. O dispositivo deve ser limpo com um detergente não abrasivo suave. Nunca use solvente de limpeza, pois isso pode danificar a camada de tinta.
25. Para descalcificar a máquina, use um descalcificador líquido projetado para cafeteiras de pressão.
26. Durante o uso, nunca toque no compartimento do filtro ou no bico de espuma de leite, pois há risco de queimaduras.
27. Use apenas acessórios originais.
28. Não mova ou mova o dispositivo durante a operação.

Esta máquina possui funções clássicas de café expresso italiano e café cappuccino. Aroma e espuma de café rico, fácil de operar e seguro, fácil de limpar.

#### DESCRIÇÃO DO PRODUTO: MÁQUINA DE CAFÉ Cr4410

- |  |   |
|--|---|
| 1. Copo único automático - botão para preparação automática de 1 xícara de café  |   |
| 2. Copo duplo automático - botão para preparação automática de 2 xícaras de café |   |
| 3. Botão liga / desliga  | 4. Botão Manual da xícara de café         |
| 5. Botão Steam   | 6. Grade de gotejamento                   |
| 7. Bandeja removível.  | 8. Tampa do tanque de água                |
| 9. Depósito de água 1600ml   | 10. Botão de vapor                        |
| 11. Caixa principal  | 12. Alça do bico de vapor                 |
| 13. Bico de vapor  | 14. Colher medidora                       |
| 15. Alça do filtro   | 16. Grampo de retenção do filtro          |
| 17. Caixa do filtro  | 18. Filtro para café moído para 1 xícara  |
| 19. Indicador luminoso   | 20. Funil                                 |
| 21. Marca de desbloqueio   | 22. Marca de bloqueio                     |
| 23. Marca de função de água quente   | 24. Filtro para café moído para 2 xícaras |

#### Instruções de operação

Antes de usar pela primeira vez

Depois de desembalar o dispositivo, verifique com todos os botões disponíveis e o botão do vapor (10) foi desligado na posição "OFF".

Antes de aplicar, limpe o dispositivo (consulte Limpeza e manutenção).

1. Remova o tanque de água (9), despeje água no tanque de água (9), o nível da água não deve exceder a marca "MAX". É recomendável usar água filtrada. Isso evita o acúmulo de calcário e melhora o sabor do café preparado. Não use água com gás. Você também pode usar o filtro (24) adequado para 2 xícaras de café moído.

2. Coloque água quente duas vezes (instruções abaixo) para remover o novo odor da fábrica antes do primeiro uso.

3. Conecte e pressione o botão liga / desliga (3). Neste momento, o indicador luminoso (19) pisca em azul. Pressione o botão Xícara de café manual (4) para operar a bomba, bombeando água do tanque de água para o dispositivo para aquecimento.

4. O dispositivo começa a pré-aquecer; nesse momento, o indicador luminoso (19) pisca em azul; quando a luz azul pára de piscar e acende a iluminação azul contínua, o aquecimento é concluído, leva cerca de 2 minutos.

5. Pressione o botão Copo único automático (1) para deixar sair água quente para lavar o filtro de café (18).

6. Repita as etapas 3, 4, 5 acima.

7. Esvazie a condensação da água e do café da bandeja removível (7).

Como fazer café expresso?

Conecte o dispositivo à fonte de alimentação e pressione o botão liga / desliga (3). Neste momento, a luz indicadora (19) pisca em azul, aguarde até que pare de piscar; o dispositivo terminará o aquecimento e estará pronto para o uso.

1. Enquanto o dispositivo está pré-aquecendo, você pode colocar o pó de café moído (você deve usar o pó fino, não muito grosso ou muito fino) no filtro de café moído (18). Para uma xícara de café expresso, use uma colher de medida (14) do seu café moído favorito. Para duas xícaras de café expresso, use 1,5 colher de medida (14) do seu café moído favorito. Em seguida, use a alça da colher medidora (14) para pressioná-la firmemente; ao mesmo tempo, limpe o pó de café na borda do filtro (18).

2. Insira o filtro cheio de café moído (18) no compartimento do filtro (17), mantenha-o pela alça do filtro (15). Encaixe o filtro com café moído sob a marca de desbloqueio (21), mova-o para o lado direito para travá-lo, logo abaixo da marca de travamento (22), depois coloque a xícara de café (ou 2 xícaras) sob o funil (20).

3. Ajuste a posição da xícara de café (ou 2 xícaras ao mesmo tempo), deixe o café fluir ao longo da parede da xícara.

4. Pressione:

- o botão Auto Single Cup (1), você ouvirá um som di-di e, em seguida, ele começará a escorrer um café para a sua xícara. As paradas de café saem automaticamente, você ouvirá o som di-di-di-di-di. O café individual tem cerca de 100 ml de capacidade.

- o botão Auto Double Cup (2), você ouvirá um som di-di e, em seguida, o café fluirá para 2 xícaras ao mesmo tempo. As paradas de café saem automaticamente, você ouvirá o som di-di-di-di-di.

- o botão Botão manual da xícara de café (4) para liberar café pelo tempo que você quiser. Depois que a quantidade de café atingir o nível desejado, pressione o botão Xícara de café manual (4) novamente para interromper o fluxo de café. Não deixe o aparelho sem vigilância, pois pode transbordar café.

5. Aguarde um minuto para o café pingar e o café está pronto.

#### Função de formação de vapor

1. Pressione o botão Vapor (5), o indicador luminoso (19) ficará vermelho e piscará. Quando a luz vermelha mudar de intermitente para contínua, o pré-aquecimento está completo.

2. A quantidade de vapor pode ser ajustada de acordo com a proficiência do indivíduo. Antes de espumar a espuma do leite, você deve liberar a água no bico de vapor (13). Recomenda-se derramar o leite a 1/3 da jarra, inserir o bico de vapor (13) no leite a 1 cm de profundidade e desparafusar lentamente o botão do vapor (10) até que o vapor comece a ejetar. Você pode balançar um pouco a jarra, mas não entre em contato com a parte inferior da jarra com o bico de vapor (13).

3. Quando a temperatura do leite atingir cerca de 75 graus Celsius e a espuma do leite começar a se expandir, gire o botão do vapor (10) para a posição "OFF", desligue o botão do vapor (5) para acender o indicador luminoso (19) fica azul, pressione o botão liga / desliga (3) diretamente para desligar o dispositivo.

Depois que a espuma do leite estiver concluída, limpe o leite na superfície do bico de vapor com um pano úmido a tempo e borrife o vapor para evitar que o leite seque e bloqueie a ventilação.

#### Como fazer café cappuccino?

1. Prepare copos de maior volume, adequados ao café cappuccino.

2. Prepare o café de acordo com os pontos 1 a 5 descritos em parte: Como fazer café expresso?

3. Prepare a espuma de leite de acordo com os pontos 1-3 descritos em parte: Função de formação de espuma a vapor.

4. Em seguida, agite a jarra sobre a mesa para que a espuma do leite fique completamente misturada e despeje na xícara com café.

#### Função de água quente

1. Pressione o botão liga / desliga (3).

2. O dispositivo começa a pré-aquecer; nesse momento, o indicador luminoso (19) pisca em azul; quando a luz azul pára de piscar e acende a iluminação azul contínua, o aquecimento é concluído, leva cerca de 2 minutos.

3. Levante o copo sob o bico de vapor (13).

4. Gire o botão do vapor (10) até o bico de vapor (13) sair água quente. O botão deve exceder a posição da marca de função de água quente (23).

5. Pressione:

- no botão Auto Single Cup (1), você ouvirá um som di-di e depois começará a escorrer água quente - em torno de 150 ml - para o seu copo. As paradas de água fluem automaticamente, você ouvirá um som di-di-di-di-di. Se você precisar interromper o fluxo de água, pressione o botão Auto Single Cup (1) novamente.

- o botão Copo duplo automático (2), você ouvirá um som di-di e, em seguida, ele começará a fluir a água - em torno de 250 ml - para o seu copo. As paradas de água fluem automaticamente, você ouvirá um som di-di-di-di-di. Se você precisar interromper o fluxo de água, pressione o botão Auto Double Cup (2) novamente.

- o botão Botão manual da xícara de café (4) para liberar água quente pelo tempo que for necessário. Não deixe o dispositivo sem controle. Depois que a quantidade de água quente atingir o nível desejado, pressione o botão Xícara de café manual (4) novamente para interromper o fluxo de água quente. Se você precisar interromper o fluxo de água, pressione o botão Xícara de café manual (4) novamente.

6. Quando terminar, desligue o botão Steam (10) e pressione o botão liga / desliga (3).

7. A água quente pode ser usada para beber, limpar ou aquecer xícaras antes de servir o café.

#### Limpeza e Manutenção

1. Desligue o botão liga / desliga (3), desconecte-o e limpe o dispositivo após esfriar completamente.

2. Sempre esvazie o tanque de água (9) após o uso. Periodicamente, limpe o tanque de água (9) com uma esponja ou pano úmido.

3. Desconecte o filtro (18) e remova o café usado do filtro. Se os orifícios do filtro estiverem obstruídos com café, use uma escova para limpá-lo. Você pode desparafusar o funil de café (20) e limpar a borra de café no compartimento do filtro (17).

4. Os copos, o tanque de água (9), a grade de gotejamento (6), a bandeja de gotejamento removível (7) e o filtro (15 + 16 + 17 + 18 + 20) podem ser lavados em água com um pouco de detergente neutro, sem substâncias abrasivas ou solventes. As peças externas devem ser limpas com um pano macio ou uma esponja. Produtos de limpeza ou escovas altamente abrasivos podem causar arranhões na superfície.

Nota: Não use limpador de álcool ou solvente e não mergulhe a máquina em água para limpar.



## DESCALCIFICAÇÃO

Se a preparação do café demorar mais tempo do que no início do uso ou o bico de vapor (13) não produzir vapor, o aparelho deve ser descalcificado. Se for usada água dura, o aparelho deve ser descalcificado depois de ter sido utilizado aproximadamente 40 vezes. Se for utilizada água mole, a máquina poderá ser descalcificada após ter sido usada aproximadamente 80 vezes. O descalcificador líquido da máquina de café expresso pode ser usado para descalcificar o aparelho. Antes de descalcificar, verifique se o dispositivo está desconectado da fonte de alimentação.

- 1) Coloque aproximadamente 250 ml de água morna e adicione 250 ml de descalcificador líquido da máquina de café expresso.
- 2) Coloque o filtro (15 + 16 + 17 + 18 + 20) na posição travada no dispositivo. Em seguida, coloque um copo meio cheio de água fria sob o bico de vapor (13) e um copo vazio sob o funil de filtro (20).
- 3) Conecte o dispositivo à fonte de alimentação.
- 4) Pressione o botão liga / desliga (3).
- 5) Em seguida, pressione o botão Copo único automático (1).
- 6) Quando o descalcificador começar a fluir para um copo vazio, insira a ponta do bico de vapor (13) em um copo cheio de água fria e pressione o botão de vapor (5).
- 7) Aguarde alguns segundos e desligue o dispositivo. Após a descalcificação, o dispositivo deve ser lavado três vezes com água limpa. Para isso, repita as etapas 1 a 7 enchendo o tanque de água (9) apenas com água limpa.

### Solução de problemas

Sintoma: Sem água / sem vapor

Razão 1: Se o tanque de água (9) tem água dentro / está no lugar?

Solução 1: adicione água ao tanque (9).

Razão 2: Não é adicionada água com antecedência na máquina.

Solução 2: Método de adição de água: pressione o botão Xícara de café manual (4), a bomba começa a bombear água para o dispositivo, pressione o botão Xícara de café manual (4) após alguns segundos.

Razão 3: A máquina não completa o pré-aquecimento.

Solução 3: Aguarde. A máquina pode fazer café após a conclusão do aquecimento. O aquecimento é concluído quando o indicador luminoso (19) muda de azul piscando para sempre estar azul.

Sintoma: Sem vapor

Razão 1: Buraco de vapor bloqueado

Solução 1: Use um pequeno fio para fazer o pequeno orifício na parte inferior do bico de vapor (13), limpe-o desta maneira.

Solução 2. Depois que a espuma do leite terminar, execute uma função de água quente para limpar o tubo de vapor.

Sintoma: espuma de leite ruim

Razão 1: é leite integral?

Solução 1: Use leite integral.

Sintoma: espuma de leite ruim

Razão 1: O botão de vapor (5) começa a formar espuma de leite antes que o dispositivo seja completamente aquecido.

Solução 1: Aguarde. Comece a cozinhar depois que o indicador luminoso (19) mudar de cor de vermelho piscando para vermelho contínuo.

### DADOS TÉCNICOS:

Capacidade máxima: 1,6 litros

Tensão: 220-240V ~ 50 / 60Hz

Potência: 850W

Potência máxima: 1000W

Pressão: 15 Bares



Proteção do meio ambiente. Rogamos, os embalagens de cartão destinem-se para papéis velhos. Os sacos de polietileno (PE) devem-se colocar em contenedores para material plástico. O dispositivo usado deve-se levar a um ponto de armazenamento adequado porque os componentes perigosos que ficam dentro do dispositivo podem ser perigosos para o meio ambiente. O dispositivo elétrico deve-se entregar de modo que se reduza a sua nova utilização e uso. Se no dispositivo há pilhas, devem-se tirar e levar a um ponto de armazenamento em separado. Não colocar o dispositivo em contenedores para resíduos municipais!!

(LT) LIETUVIŲ

## BENDROSIOS SAUGOS SĄLYGOS SVARBIOS SAUGOS INSTRUKCIJOS. PRAŠOME ATSAKYTI ATSARGIAI IR IŠSAUGOTI ATEITĮ

1. Prieš naudodamiesi prietaisu, perskaitykite naudojimo vadovą ir vykdykite jame pateiktas instrukcijas.

2. Prietaisas skirtas naudoti tik namuose. Nenaudokite kitiems tikslams, kurie nėra numatyti.
3. Prietaisą reikia prijungti tik prie įžeminto 220–240 V ~ 50/60 Hz lizdo. Norint padidinti eksploataavimo saugą, keli elektros prietaisai neturėtų būti jungiami prie vienos srovės grandinės tuo pačiu metu.
4. Būkite ypač atsargūs naudodamiesi prietaisu, kai šalia yra vaikai.
5. ĮSPĖJIMAS: Šia įranga gali naudotis vyresni nei 8 metų vaikai ir žmonės su sutrikusiais fiziniiais, jutimo ar psichiniais sugebėjimais arba žmonės, neturintys patirties ar žinių apie įrangą, jei tai daroma prižiūrint atsakingam asmeniui. Jų saugumui ar jiems buvo suteikta informacija apie saugų prietaiso naudojimą ir žino apie jo naudojimo pavojus. Vaikai neturėtų žaisti su įranga. Valyti ir prižiūrėti prietaisą neturėtų vaikai, išskyrus tuos atvejus, kai jie yra vyresni nei 8 metų, o šios veiklos atliekamos prižiūrint.
6. Virinkite baką vandens ir du kartus užpilkite, kad atsikratytų kvapo prieš pirmąjį naudojimą.
7. Po naudojimo visada ištraukite kištuką iš elektros lizdo, po naudojimo laikydami jį ranka.
8. Išimdami kištuką iš lizdo, niekada netraukite maitinimo laido, bet kištuko.
9. Saugokite prietaisą nuo atmosferos sąlygų (lietaus, saulės ir pan.) Ir nenaudokite didelės drėgmės sąlygomis (vonios kambariai, drėgni mobilūs namai).
10. Nemerkite laido, kištuko ir prietaiso į vandenį ar kitą skystį.
11. Periodiškai tikrinkite maitinimo laido būklę. Jei maitinimo laidas yra pažeistas, jį reikia pakeisti specializuotoje remonto dirbtuvėje, kad būtų išvengta pavojaus.
12. Nenaudokite prietaiso su pažeistu maitinimo laidu, jei jis buvo numestas ar kitaip apgadintas, arba jis veikia netinkamai. Netaisykite prietaiso patys, nes kyla elektros smūgio pavojus. Nuvežkite pažeistą prietaisą į atitinkamą aptarnavimo centrą patikrinti ar pataisyti. Visus remonto darbus gali atlikti tik įgalioti techninės priežiūros punktai. Neteisingai atliktas remontas gali sukelti rimtą pavojų vartotojui.
13. Padėkite prietaisą ant vėsių, stabilių paviršių, atokiau nuo karštų virtuvės prietaisų, tokių kaip: elektrinė viryklė, dujinis degiklis ir kt.
14. Nenaudokite prietaiso šalia degių medžiagų.
15. Maitinimo laidas negali kabėti virš stalo krašto ir liesti karštų paviršių. Gamintojas neatsako už žalą, padarytą naudojant įrenginį ne pagal paskirtį ar netinkamai naudojant. Neleiskite vaikams žaisti su šiuo prietaisu, neleiskite vaikams ar žmonėms, nepažįstamiems prietaiso, juo naudotis.
16. Nepalikite įjungto prietaiso ar adapterio be priežiūros.
17. Norint suteikti papildomą apsaugą, patartina į elektros grandinę įmontuoti liekamosios srovės įtaisą (RCD), kurio vardinė likutinė srovė neviršytų 30 mA. Kreipkitės į elektriką šio patarimo.
18. Niekada nenaudokite prietaiso be vandens! Jis gali būti pažeistas.
19. Niekada nenukreipkite karšto garų ar vandens srauto į savo kūną.
20. Niekada nenaudokite prietaiso su putojančiu vandeniu !!!
21. Niekada nepalikite prietaiso žemesnėje nei 0 laipsnių temperatūroje, nes tai gali jį sugadinti.
22. Prieš užpildydami baką vandeniu, visada atjunkite mašiną nuo elektros tinklo.
23. Reguliariai valykite ir tikrinkite aparatą, kad įsitikintumėte gautos kavos kokybe ir

prailgintumėte mašinos tarnavimo laiką.

24. Prieš valydami, visada atjunkite maitinimo šaltinį ir leiskite visoms karštoms dalims atvėsti. Prietaisą reikia valyti švelniu neabrazyviniu plovikliu. Niekada nenaudokite valymo tirpiklio, nes tai gali pažeisti dažų sluoksnį.

25. Norėdami nusausti aparatą, naudokite skystą kalkių šalintuvą, skirtą slėginiams kavos virimo aparatams.

26. Naudojimo metu niekada nelieskite filtro korpuso ar pieno putojimo antgalio, nes yra nudegimo pavojus.

27. Naudokite tik originalius priedus.

28. Nejudinkite ir nejudinkite prietaiso veikimo metu.

Šis aparatas turi klasikinės itališkos koncentruotos espresso ir kapučino kavos funkcijas. Turtingas kavos aromatas ir putas, lengvai valdomas ir saugus, lengvai valomas.

PRODUKTO APRAŠYMAS: KAVOS MAŠINOS Cr4410

- |  |   |
|--|---|
| 1. Auto Single Cup - mygtukas automatiniam 1 kavos puodelio paruošimui         |   |
| 2. Auto Double Cup - mygtukas, skirtas automatiškai paruošti 2 puodelius kavos |   |
| 3. Maitinimo mygtukas.   | 4. Rankinis kavos puodelio mygtukas     |
| 5. Garo mygtukas   | 6. Lašelių tinklelis                    |
| 7. Nuimamas lašelių dėklas   | 8. Vandens rezervuaro dangtis           |
| 9. Vandens talpykla 1600ml   | 10. Garo rankenėlė                      |
| 11. Pagrindinis korpusas   | 12. Garo purkštuko rankena              |
| 13. Garo antgalis  | 14. Matavimo šaukštas                   |
| 15. Filtro rankena   | 16. Filtro laikymo spaustukas           |
| 17. Filtro korpusas  | 18. Filtruokite maltą kavą 1 puodeliui  |
| 19. Šviesos indikatorius   | 20. Piltuvus                            |
| 21. Atrakcinimo ženklas  | 22. Užrakto ženklas                     |
| 23. Karšto vandens funkcijos ženklas   | 24. Filtruokite maltą kavą 2 puodeliams |

Naudojimo instrukcija

Prieš naudojant pirmą kartą

Išpakavę prietaisą, patikrinkite, ar yra visi mygtukai, o garo rankenėlė (10) yra išjungta „OFF“ padėtyje. Prieš naudodami prietaisą, nuvalykite jį (žr. Valymas ir priežiūra).

1. Išimkite vandens baką (9), supilkite vandenį į vandens rezervuarą (9), vandens lygis neturi viršyti „MAX“ ženklo. Rekomenduojama naudoti filtruotą vandenį. Tai apsaugo nuo kalkių kaupimosi ir pagerina paruoštos kavos skonį. Nenaudokite soda vandens.
2. Du kartus paleiskite karštą vandenį (instrukcijos pateiktos žemiau), kad prieš pirmąjį naudojimą pašalintumėte gamyklos naują kvapą.
3. Įjunkite ir paspauskite maitinimo mygtuką (3). Šiuo metu šviesos indikatorius (19) mirksis mėlynai. Paspauskite rankinį kavos puodelio mygtuką (4), kad dirbtumėte siurbliu, siurdami vandenį iš vandens rezervuaro į šildymo įrenginį.
4. Prietaisas pradeda įkaisti, tuo metu šviesos indikatorius (19) mirksis mėlynai; kai mėlyna lemputė nustos mirksėti ir įsijungs nuolatinis mėlynas apšvietimas, apšilimas bus baigtas, tai užtruks apie 2 minutes.
5. Paspauskite „Auto Single Cup“ mygtuką (1), kad išleistumėte karšto vandens, kad išplautumėte kavos filtrą (18).
6. Pakartokite 3, 4, 5 veiksmus aukščiau.
7. Išimamojo lašelių dėklo (7) ištuštinkite vandens ir kavos kondensatą.

Kaip pasigaminti espresso kavos?

Prijunkite prietaisą prie maitinimo šaltinio ir paspauskite maitinimo mygtuką (3). Šiuo metu indikatorius lemputė (19) mirksis mėlynai, palaukite, kol ji nustos mirksėti, tada prietaisas baigs šildymą ir bus paruoštas naudoti.

1. Kol prietaisas pašildo, į maltos kavos filtrą (18) galite įdėti maltos kavos miltelius (turėtumėte naudoti smulkius, ne per storus ar per plonus miltelius). Vienam espresso puodeliui naudokite vieną matavimo šaukštą (14) mėgstamos maltos kavos. Dviems espresso puodeliams naudokite 1,5 matavimo šaukštus (14) mėgstamos maltos kavos. Tada naudokite matavimo šaukšto rankenėlę (14), kad ji būtų stipriai suspausta; tuo pat metu nuvalykite kavos miltelius ant filtro krašto (18). Taip pat galite naudoti filtrą (24), tinkantį 2 puodeliams maltos kavos.

2. Įdėkite į maltą kavą užpildytą filtrą (18) į filtro korpusą (17), laikykite jį už filtro rankenos (15). Filtrą su malta kava uždėkite po atrakinimo ženklu (21), tada stumkite dešinę pusę, kad užsifikuotų, tiesiai po užrakto žyma (22), tada padėkite kavos puodelį (arba 2 puodelius) po piltuvu (20).

3. Sureguliuokite kavos puodelio (arba 2 puodelių tuo pačiu metu) padėtį, leiskite kavai tekėti prie puodelio sienos.

4. Paspauskite:

- Mygtukas „Auto Single Cup“ (1) išgirsite di-di garsą, tada jis pradės tekėti kavai į jūsų puodelį. Kava nustoja tekėti automatiškai, girdėsite di-di-di-di-di garsą. Vienos kavos talpa yra maždaug 100 ml.

- mygtuką „Automatinis dvigubas puodelis“ (2) išgirsite „di-di“ garsą, tada jis pradės tekėti kava iki 2 puodelių tuo pačiu metu. Kava nustoja

tekėti automatiškai, girdėsite di-di-di-di-di garsą.

- rankinio kavos puodelio mygtuko (4) mygtuką, jei norite išpilti kavos tiek, kiek norite. Kai kavos kiekis bus jūsų norimas, dar kartą paspauskite rankinio kavos puodelio mygtuką (4), kad sustabdytumėte kavos nutekėjimą. Nepalikite prietaiso be priežiūros, jis gali perpilti kavos.

5. Palaukite minutę, kol išvirs kava ir kava bus paruošta.

#### Garų putojimo funkcija

1. Paspauskite mygtuką „Steam“ (5), lemputės indikatorius (19) pasidaro raudonas ir mirksi, kai raudona lemputė keičiasi nuo mirksinčios iki nuolatinės raudonos šviesos, išankstinis pašildymas yra baigtas.
  2. Garų kiekį galima reguliuoti atsižvelgiant į asmens įgūdžius. Prieš išplakdami pieno putas, turėtumėte išleisti vandenį garų antgalyje (13). Pieną rekomenduojama supilti į ašočio 1/3 aukščio, įpilti garų antgalį (13) į pieną 1 cm gylyje ir lėtai atsukti garų rankenėlę (10), kol pradės tekėti garai. Ašočio dubenį galite šiek tiek paversti, bet nelieskite ašočio dugno su garų antgaliu (13).
  3. Kai pieno temperatūra pasiekia maždaug 75 laipsnius Celsijaus ir pieno putos pradeda plėstis, pasukite garų rankenėlę (10) į „OFF“ padėtį, išjunkite garų mygtuką (5), kad būtų šviesos indikatorius (19). pasidaro mėlyna, norėdami išjungti įrenginį, tiesiogiai paspauskite įjungimo mygtuką (3).
- Užbaigus pieno putas, pienu, garų antgalio paviršiuje, laiku nuvalykite drėgnu skudurėliu ir purškite garą, kad pienas neišdžiūtų ir neužkimštų angos.

#### Kaip pasidaryti kapučino kavą?

1. Paruoškite didesnio tūrio puodelius, tinkamus kapučino kavai.
2. Paruoškite kavą pagal 1-5 punktus, aprašytus iš dalies: Kaip gaminti kavą su espresso?
3. Paruoškite pieno putas vadovaudamiesi 1-3 punktais, aprašytais iš dalies: Plakimo garų funkcija.
4. Tada sukrėskite ašotį ant stalo, kad pieno putos būtų visiškai susimaišę, ir supilkite į puodelį su kava.

#### Karšto vandens funkcija

1. Paspauskite įjungimo mygtuką (3).
2. Prietaisas pradeda įkaisti, tuo metu šviesos indikatorius (19) mirksi mėlynai; kai mėlyna lemputė nustos mirksėti ir įsijungs nuolatinis mėlynas apšvietimas, apšilimas bus baigtas, tai užtruks apie 2 minutes.
3. Pakelkite puodelį po garų antgaliu (13).
4. Pasukite garų rankenėlę (10), kol garų antgalis (13) ištekės iš karšto vandens. Rankenėlę neturėtų viršyti karšto vandens funkcijos žymos (23).
5. Paspauskite:
  - mygtukas „Auto Single Cup“ (1), išgirsite di-di garsą, tada jis pradės tekėti karštam vandeniui - apie 150 ml - į jūsų puodelį. Vanduo nustoja tekėti automatiškai, girdėsite di-di-di-di-di garsą. Jei turite sustabdyti vandens nutekėjimą, dar kartą paspauskite mygtuką „Auto Single Cup“ (1).
  - mygtuką „Automatinis dvigubas puodelis“ (2) išgirsite „di-di“ garsą, tada jis pradės tekėti iš jūsų puodelio vandens - apie 250 ml. Vanduo nustoja tekėti automatiškai, girdėsite di-di-di-di-di garsą. Jei turite sustabdyti vandens nutekėjimą, dar kartą paspauskite mygtuką „Auto Double Cup“ (2).
- rankinio kavos puodelio (4) mygtuką, kad karštas vanduo ištekėtų tiek, kiek reikia. Nepalikite prietaiso be valdymo. Kai karšto vandens kiekis bus jūsų norimas, dar kartą paspauskite rankinio kavos puodelio mygtuką (4), kad sustabdytumėte karšto vandens nutekėjimą. Jei turite sustabdyti vandens nutekėjimą, dar kartą paspauskite rankinio kavos puodelio mygtuką (4).
6. Baigę išjunkite garų rankenėlę (10), tada paspauskite maitinimo mygtuką (3).
7. Karštas vanduo gali būti naudojamas geriant, valant ar kaitinant puodelius prieš pilant kavą.

#### Valymas ir priežiūra

1. Išjunkite maitinimo mygtuką (3), atjunkite jį nuo elektros tinklo ir visiškai atvesė išvalykite prietaisą.
  2. Po naudojimo visada ištuštinkite vandens baką (9). Kartkartėmis valykite vandens baką (9) drėgna kempine ar šluoste.
  3. Nuimkite filtrą (18) ir ištraukite panaudotą kavą iš filtro. Jei filtro skylės užsikimšusios kavos, valykite ją šepetėliu. Galite atsukti kavos piltuvą (20) ir išvalyti kavos tirščius filtro korpuse (17).
  4. Puodelius, vandens rezervuarą (9), lašelių tinklėlį (6), nuimamą lašelių dėklą (7), filtrą (15 + 16 + 17 + 18 + 20) galima plauti vandenyje šiek tiek švelnaus ploviklio be abrazyvinių medžiagų ar tirpiklių. , Išorinis dalis reikia nuvalyti minkštu skudurėliu ar kempine. Labai švitrūs valikliai ar šepetėliai gali subraižyti paviršių.
- Pastaba: valymui nenaudokite alkoholio ar tirpiklio ir nemerkite mašinos į vandenį.

#### wapiennego

Jei kavos virimas užtrunka ilgiau nei pradžioje, arba garų antgalis (13) negamina garų, prietaisas turi būti pašalintas. Jei naudojamas kietas vanduo, prietaisas turėtų būti pašalintas nuo kalcio pašalinimo maždaug po 40 kartų. Jei naudojamas minkštas vanduo, mašina gali būti atšaldoma po to, kai ji buvo naudojama maždaug 80 kartų. Prietaiso kalkinimui gali būti naudojamas espresso automatinis skysčio nuploviklis. Prieš šalindami kalką, įsitikinkite, kad prietaisas yra atjungtas nuo maitinimo šaltinio.

- 1) Supilkite maždaug 250 ml drungno vandens ir įpilkite 250 ml espresso skysčio nuplikiklio.
- 2) Įdėkite filtrą (15 + 16 + 17 + 18 + 20) užrakintoje padėtyje į prietaisą. Tada po garų antgaliu (13) padėkite puodelį, užpildytą šaltu vandeniu, ir tuščią puodelį - po filtro piltuvu (20).
- 3) Prijunkite prietaisą prie maitinimo šaltinio.

- 4) Paspauskrite ijjungimo mygtukā (3).
- 5) Tada paspaukrite mygtukā „Auto Single Cup” (1).
- 6) Kai nuplikiklis pradeda tekēti žemyn ī tuščiā taurē, īkiškite garų antgalio (13) antgalī ī puodelī, pripildytā šaltu vandeniu, ir paspaukrite garo mygtukā (5).
- 7) Palaukrite kelias sekundes ir īšjunkrite īrenginī. Atlikus kalkinimā, prietaisā reikia tris kartus nuplauti švariu vandeniu. Norēdami tai padaryti, pakartokrite 1–7 veiksmus, užpildydami vandens bakā (9) tik švariu vandeniu.

Trikčių diagnostika ir šalinimas

Simptomas: nėra vandens / nėra garo

1 priežastis: ar vandens talpykloje (9) yra vandens / ar yra jo vietoje?

1 sprendimas: įpilkite vandens į baką (9).

2 priežastis: Į mašiną iš anksto nėra įpilama vandens.

2 sprendimas: Vandens įpylimo būdas: paspaukrite rankinio kavos puodelio mygtuką (4), siurblys pradeda siurbti vandenį į prietaisą, po kelių sekundžių paspaukrite rankinio kavos puodelio mygtuką (4).

3 priežastis: mašina neužbaigia pašildymo.

3 sprendimas: palaukite. Baigęs pašildymą aparatas gali išsivirti kavos. Apšilimas užbaigiamas, kai šviesos indikatorius (19) mirksi nuo mėlynos spalvos mirksėjimo iki visada šviečia mėlynos spalvos.

Simptomas: nėra garo

1 priežastis: uždaryta garų skylė

1 sprendimas: Naudodamiesi maža viela, įkiškite mažą skylę garų antgalio apačioje (13), išvalykite ją tokiu būdu.

2 sprendimas. Baigę pieno putas, atlikite karšto vandens funkciją, kad išvalytumėte garų vamzdelį.

Simptomas: blogos pieno putos

1 priežastis: ar tai nenugriebtas pienas?

1 sprendimas: naudokite nenugriebtą pieną.

Simptomas: blogos pieno putos

1 priežastis: Garo mygtukas (5) pradeda putoti pieno putas prieš visiškai sušildant prietaisą.

1 sprendimas: palaukite. Pradėkite garuoti po to, kai lemputės indikatorius (19) keičia spalvą iš raudonos mirksinčios į nuolat raudoną.

#### TECHNINIAI DUOMENYS:

Talpa maks.: 1,6 litro

Įtampa: 220–240 V ~ 50/60 Hz

Galia: 850W

Maksimali galia: 1000W

Slėgis: 15 barų



Rūpinantis aplinka. Kartono pakuotes atiduoti į makulatūrą. Polietileno (PE) maišelius mesti į plastikui skirtą konteinerį. Susidėvėjusį prietaisą atiduoti į atitinkamą atliekų surinkimo vietą, nes prietaise esančios pavojingos medžiagos gali kelti grėsmę aplinkai. Elektrinį prietaisą atiduoti tokį, kad nebūtų galima jo pakartotinai naudoti ir panaudoti. Jeigu prietaise yra baterijos, būtina jas išimti ir atskirai atiduoti į atliekų surinkimo vietą. Nemesti prietaiso į buitinių atliekų konteinerį!

#### (LV) LATVIEŠŪ

**VISPĀRĪGIE DROŠĪBAS NOSACĪJUMI SVARĪGI DROŠĪBAS NORĀDĪJUMI. LŪDZU, LŪDZI RŪPĪGI LASĪT UN GLABĀT NĀKOTNES**

1. Pirms ierīces izmantošanas izlasiet lietošanas instrukciju un izpildiet tajā sniegtos norādījumus.
2. Ierīce paredzēta tikai lietošanai mājās. Nelietojiet citiem mērķiem, kas nav paredzētajam mērķim.
3. Ierīce jāpievieno tikai 220–240 V ~ 50/60 Hz iezemētai kontaktligzdai. Lai palielinātu ekspluatācijas drošību, vairākas strāvas ķēdes nedrīkst vienlaikus savienot ar vairākām elektriskām ierīcēm.
4. Esiet īpaši piesardzīgs, lietojot ierīci, kad tuvumā ir bērni.
5. BRĪDINĀJUMS. Šo aprīkojumu var izmantot bērni, kas vecāki par 8 gadiem, un cilvēki ar ierobežotām fiziskām, maņu vai garīgajām spējām vai cilvēki, kuriem nav pieredzes vai zināšanu par šo aprīkojumu, ja tas tiek darīts atbildīgas personas uzraudzībā. Viņu drošībai

- vai viņiem ir piešķirta informācija par ierīces drošu lietošanu un viņi apzinās tās lietošanas bīstamību. Bērni nedrīkst spēlēt ar aprīkojumu. Ierīces tīrīšanu un apkopi nedrīkst veikt bērni, ja vien viņi ir vecāki par 8 gadiem un šīs darbības tiek veiktas uzraudzībā.
6. Tvertnē vāriet ūdeni un divreiz ielejiet, lai atbrīvotos no smakas pirms pirmās lietošanas.
7. Pēc lietošanas vienmēr noņemiet kontaktdakšu no strāvas kontaktligzdas, pēc lietošanas turot to ar roku.
8. Izņemot kontaktdakšu no kontaktligzdas, nekad nevelciet strāvas vadu, bet spraudni.
9. Nepakļaujiet ierīci atmosfēras iedarbībai (lietus, saule utt.) Un nelietojiet paaugstināta mitruma apstākļos (vannas istabas, mitras pārvietojamās mājas).
10. Neiegremdējiet kabeli, kontaktdakšu un ierīci ūdenī vai citā šķidrumā.
11. Periodiski pārbaudiet strāvas vada stāvokli. Ja strāvas vads ir bojāts, tas jāmaina specializētā remondarbīcā, lai izvairītos no briesmām.
12. Nelietojiet ierīci ar bojātu strāvas vadu, ja tā ir nomesta vai citādi bojāta, vai arī ja tā nedarbojas pareizi. Neuzlabojiet ierīci pats, jo pastāv elektriskās strāvas trieciena risks. Nogādājiet bojāto ierīci pārbaudei vai labošanai atbilstošā servisa centrā. Visus remontdarbus drīkst veikt tikai pilnvarotī servisa punkti. Nepareizi veikts remonts var radīt nopietnas briesmas lietotājam.
13. Novietojiet ierīci uz vēsas, stabilas virsmas, prom no karstām virtuves ierīcēm, piemēram, elektriskās plīts, gāzes degļa utt.
14. Nelietojiet ierīci viegli uzliesmojošu materiālu tuvumā.
15. Strāvas vads nedrīkst piekārties virs galda malas un pieskarties karstām virsmām. Izgatavotājs nav atbildīgs par zaudējumiem, kas radušies, izmantojot ierīci pretēji paredzētajam mērķim vai nepareizu darbību. Neļaujiet bērniem spēlēties ar ierīci, neļaujiet to lietot bērniem vai cilvēkiem, kuri to nepazīst.
16. Neatstājiet ierīci ieslēgtu vai adapteri bez uzraudzības.
17. Lai nodrošinātu papildu aizsardzību, ieteicams elektriskajā ķēdē uzstādīt atlikušās strāvas ierīci (RCD) ar nominālo atlikušo strāvu, kas nepārsniedz 30 mA. Vaicājiet elektriķim par šo padomu.
18. Nekad nelietojiet ierīci bez ūdens! Tas var būt bojāts.
19. Nekad nevirziet karstu tvaiku vai ūdeni pret savu ķermeni.
20. Nekad nelietojiet ierīci ar dzirkstošo ūdeni !!!
21. Nekad neatstājiet ierīci temperatūrā, kas zemāka par 0 grādiem pēc Celsija, jo tā var to sabojāt.
22. Pirms tvertnes piepildīšanas ar ūdeni vienmēr atvienojiet to no elektrotīkla.
23. Regulāri tīriet un pārbaudiet mašīnu, lai nodrošinātu iegūtās kafijas kvalitāti un pagarinātu mašīnas kalpošanas laiku.
24. Pirms tīrīšanas vienmēr atvienojiet strāvas avotu un ļaujiet visām karstajām detaļām atdzist. Ierīce jātīra ar maigu, neabrazīvu mazgāšanas līdzekli. Nekādā gadījumā nelietojiet tīrīšanas šķīdinātāju, jo tas var sabojāt krāsas slāni.
25. Mašīnas atkaļķošanai izmantojiet šķidru atkaļķotāju, kas paredzēts spiediena kafijas automātiem.
26. Lietošanas laikā nekad nepieskarieties filtra korpusam vai piena putošanas sprauslai, jo

pastāv apdegumu risks.

27. Izmantojiet tikai oriģinālos piederumus.

28. Darbības laikā nekustas un nepārvietojiet ierīci.

Šai mašīnai ir klasiskas itāļu koncentrētas espresso un kapučīno kafijas funkcijas. Bagātīgs kafijas aromāts un putas, viegli darbināms un drošs, viegli tīrāms.

PRODUKTA APRAKSTS: KAFIJAS MAŠĪNA CR4410

1. Auto Single Cup - poga 1 kafijas tases automātiskai pagatavošanai
2. Auto Double Cup - poga automātiskai 2 kafijas tasiņu pagatavošanai
3. Barošanas poga
4. Manuālā kafijas tases poga
5. Tvaika poga
6. Pilienu režģis
7. Noņemama pilienu tekne.
8. Ūdens tvertnes vāks
9. Ūdens tvertne 1600ml
10. Tvaika poga
11. Galvenais korpus
12. Tvaika sprauslas rokturis
13. Tvaika sprausla
14. Mērkarote
15. Filtra rokturis
16. Filtra stiprinājuma skava
17. Filtra korpus
18. Filtrējiet maltu kafiju uz 1 glāzi
19. Gaismas indikators
20. Piltuve
21. Atbloķēšanas atzīme
22. Bloķēšanas atzīme
23. Karstā ūdens funkcijas atzīme
24. Filtrējiet maltai kafijai 2 tases

Lietošanas instrukcija

Pirms lietošanas pirmo reizi

Pēc ierīces izsaiņošanas pārbaudiet, vai ir visas pieejamās pogas, un tvaika poga (10) ir izslēgta pozīcijā "OFF". Pirms uzklāšanas notīriet ierīci (sk. Tīrīšana un apkope).

1. Izņemiet ūdens tvertni (9), ielejiet ūdeni ūdens tvertnē (9), ūdens līmenim nevajadzētu pārsniegt atzīmi "MAX". Ieteicams lietot filtrētu ūdeni. Tas novērš kaļķu uzkrāšanos un uzlabo sagatavotās kafijas garšu. Nelietojiet sodas ūdeni.
2. Divas reizes palaidiet karstu ūdeni (instrukcijas zemāk), lai pirms pirmās lietošanas noņemtu rūpnīcā jauno smaku.
3. Pievienojiet un piespiediet barošanas pogu (3). Šajā laikā gaismas indikators (19) mirgo zilā krāsā. Nospiediet manuālās kafijas tases pogu (4), lai darbinātu sūkni, sūknējot ūdeni no ūdens tvertnes sildīšanas ierīcei.
4. Ierīce sāk uzsildīt, šajā laikā gaismas indikators (19) mirgo zilā krāsā; Kad zilā gaisma pārstāj mirgot un ieslēdzas nepārtraukts zils apgaismojums, iesildīšana ir pabeigta, tas prasa apmēram 2 minūtes.
5. Nospiediet Auto Single Cup pogu (1), lai izlaistu karstu ūdeni, lai mazgātu kafijas filtru (18).
6. Atkārtojiet iepriekš 3., 4., 5. darbību.
7. Iztukšojiet kondensātu no ūdens un kafijas no noņemamās pilienu teknes (7).

Kā pagatavot espresso kafiju?

Pievienojiet ierīci barošanas avotam un nospiediet barošanas pogu (3). Šajā brīdī indikators (19) mirgo zilā krāsā, pagaidiet, līdz tas pārstāj mirgot, tad ierīce beigs sildīt un būs gatava lietošanai.

1. Kamēr ierīce uzskarsē, maltās kafijas pulveri (jums jāizmanto smalkais pulveris, ne pārāk biezs vai pārāk plāns) var ievietot maltas kafijas filtrā (18). Par vienu espresso tasi izmantojiet vienu mērkaroti (14) no jūsu iecienītās maltas kafijas. Divai espresso kausai izmantojiet 1,5 mērkarotes (14) no jūsu iecienītās maltas kafijas. Pēc tam cieši piespiediet ar mērkarotes rokturi (14); vienlaikus noslaukiet kafijas pulveri uz filtra malas (18). Varat izmantot arī filtru (24), kas piemērots 2 tases maltās kafijas ietilpībai.
2. Ievietojiet maltu kafijas filtru (18) filtra korpusā (17), turiet to aiz filtra roktura (15). Ievietojiet filtru ar maltu kafiju zem atbloķēšanas zīmes (21), pēc tam pārvietojiet to labajā pusē, lai to nofiksētu, tieši zem slēdzenes atzīmes (22), pēc tam novietojiet kafijas tasi (vai 2 tases) zem piltuves (20).
3. Pielāgojiet kafijas tases stāvokli (vai 2 tases vienlaikus), ļaujiet kafijai plūst gar krūzes sienu.
4. Nospiediet:
  - Automātiskās viena kausa poga (1), jūs dzirdēsiet di-di skaņu, tad no jūsu kafijas tas izplūdis kafiju. Kafija pārstāj izplūst automātiski, jūs dzirdēsiet di-di-di-di-di skaņu. Vienas kafijas ietilpība ir aptuveni 100 ml.
  - Automātiskās dubultkausa poga (2), jūs dzirdēsiet di-di skaņu, pēc tam tā sāk izplūst kafiju līdz 2 tasēm vienlaikus. Kafija pārstāj izplūst automātiski, jūs dzirdēsiet di-di-di-di-di skaņu.
  - poga Manuālā kafijas tase (4), lai izplūstu kafiju tik ilgi, cik vēlaties. Kad kafijas daudzums būs vēlamais, vēreiz nospiediet pogu Manual Coffee Cup (4), lai apturētu kafijas izplūšanu. Neatstājiet ierīci bez uzraudzības, tā var pārpildīt kafiju.
5. Pagaidiet minūti, līdz kafija pilējas, un kafija ir gatava.

Tvaika putošanas funkcija

1. Nospiediet tvaika pogu (5), gaismas indikators (19) kļūst sarkans un mirgo, kad sarkanā gaisma mainās no mirgošanas uz nepārtrauktu sarkanu gaismu, priekšsildīšana ir pabeigta.
2. Tvaika daudzumu var pielāgot atbilstoši indivīda prasmēm. Pirms piena putu putošanas jums vajadzētu atbrīvot ūdeni tvaika sprauslā (13). Ieteicams pienu ieliet krūka 1/3 augstumā, ievietot tvaika sprauslu (13) pienā 1 cm dziļumā un pēc tam lēnām atskrūvēt tvaika pogu (10), līdz sāk izdalīties tvaiks. Krūzi var nedaudz pagriezt, bet ar tvaika sprauslu (13) nelieciet krūka apakšā.



3. Kad piena temperatūra sasniedz aptuveni 75 grādus pēc Celsija un piena putas sāk izplesties, pagrieziet tvaika pogu (10) pozīcijā "OFF", izslēdziet tvaika pogu (5), lai izgaismotu gaismas indikatoru (19), kļūst zils, tieši nospiediet barošanas pogu (3), lai izslēgtu ierīci. Pēc piena putu pabeigšanas savlaicīgi notīriet pienu uz tvaika sprauslas virsmas ar mitru drānu un izsmidziniet tvaiku, lai piens neizžūtu un aizsprostotu ventilāciju.

Kā pagatavot kapučīno kafiju?

1. Sagatavojiet kapučīno kafijai piemērotāka tilpuma krūzes.
2. Pagatavojiet kafiju saskaņā ar 1. – 5. Punktu, kas aprakstīts daļēji: Kā pagatavot espresso kafiju?
3. Sagatavojiet piena putas saskaņā ar 1. – 3. Punktu, kas aprakstīts daļēji: Putošanas ar tvaiku funkcija.
4. Pēc tam krata krūzi uz galda tā, lai piena putas būtu pilnībā sajauktas, un ielej to krūzē ar kafiju.

Karstā ūdens funkcija

1. Nospiediet barošanas pogu (3).
2. Ierīce sāk uzildēt, šajā laikā gaismas indikators (19) mirgo zilā krāsā; Kad zilā gaisma pārstāj mirgot un ieslēdzas nepārtraukts zils apgaismojums, iesildīšana ir pabeigta, tas prasa apmēram 2 minūtes.
3. Paceliet krūzi zem tvaika sprauslas (13).
4. Grieziet tvaika pogu (10), līdz tvaika sprausla (13) izplūst karstā ūdenī. Pogai vajadzētu pārsniegt karstā ūdens funkcijas atzīmi (23).
5. Nospiediet:
  - Nospiežot pogu Auto Single Cup (1), jūs dzirdēsiet di-di skaņu, pēc tam no tā krūzes sāk izplūst karsts ūdens - apmēram 150 ml. Ūdens pārstāj izplūst automātiski, jūs dzirdēsiet di-di-di-di-di skaņu. Ja jums nekavējoties jāpārtrauc ūdens izplūde, vēlreiz nospiediet pogu Automātiskā viena kausa izcīņa (1).
  - Nospiežot pogu Auto Double Cup (2), jūs dzirdēsiet di-di skaņu, pēc tam no tā krūzes sāks izplūst ūdens - apmēram 250 ml. Ūdens pārstāj izplūst automātiski, jūs dzirdēsiet di-di-di-di-di skaņu. Ja jums nekavējoties jāpārtrauc ūdens izplūde, vēlreiz nospiediet pogu Automātiskā dubultā kausa izcīņa (2).
  - poga Manuālā kafijas tase (4), lai karstu ūdeni izplūstu tik ilgi, cik nepieciešams. Neatstājiet ierīci bez vadības. Kad karstā ūdens daudzums būs vēlamais, vēlreiz nospiediet manuālās kafijas tases pogu (4), lai apturētu karstā ūdens izplūšanu. Ja jums nekavējoties jāpārtrauc ūdens izplūšana, vēlreiz nospiediet pogu Manual Coffee Cup (4).
6. Kad esat pabeidzis, izslēdziet tvaika pogu (10), pēc tam nospiediet barošanas pogu (3).
7. Karstu ūdeni pirms kafijas ielešanas var izmantot tasišu dzeršanai, tīrīšanai vai sildīšanai.

Tīrīšana un apkope

1. Izslēdziet barošanas pogu (3), atvienojiet to no strāvas un notīriet ierīci pēc pilnīgas atdzišanas.
  2. Pēc lietošanas vienmēr iztukšojiet ūdens tvertni (9). Laiku pa laikam notīriet ūdens tvertni (9) ar mitru sūkli vai lupatiņu.
  3. Noņemiet filtru (18) un noņemiet izmantoto kafiju no filtra. Ja filtra caurumi ir aizsērējuši kafijā, notīriet to ar suku. Jūs varat atskrūvēt kafijas piltuvi (20) un notīrīt kafijas biežumus filtra korpusā (17).
  4. Krūzes, ūdens tvertni (9), pilienu režģi (6), noņemamu pilienu paplāti (7), filtru (15 + 16 + 17 + 18 + 20) var mazgāt ūdenī ar kādu maigu mazgāšanas līdzekli bez abrazīvām vielām vai šķīdinātājiem. Ārējās daļas jānotīra ar mikstu drānu vai sūkli. Ļoti abrazīvi tīrīšanas līdzekļi vai suku var izraisīt virsmas skrāpējumus.
- Piezīme: nelietojiet spirtu vai šķīdinātāju tīrīšanas līdzekļus un neiegremdējiet ierīci ūdenī tīrīšanai.

atkalķošanas

Ja kafijas pagatavošana prasa ilgāku laiku nekā lietošanas sākumā vai tvaika sprausla (13) nerada tvaiku, ierīce ir jākalķo. Ja tiek izmantots ciets ūdens, pēc aptuveni 40 reizu tā lietošanas jāveic atkalķošana. Ja tiek izmantots mīksts ūdens, mašīnu var atkalķot pēc apmēram 80 reizu lietošanas. Ierīces atkalķošanai var izmantot espresso mašīnas šķidro atkalķotāju. Pirms atkalķošanas pārliecinieties, vai ierīce ir atvienota no strāvas padeves.

- 1) Ielejiet apmēram 250 ml remdena ūdens un pēc tam pievienojiet 250 ml espresso mašīnas šķidrums atkalķotājā.
- 2) Novietojiet filtru (15 + 16 + 17 + 18 + 20) bloķētā stāvoklī ierīcē. Pēc tam zem tvaika sprauslas (13) novietojiet ar aukstu ūdeni piepildītu krūzi un tukšā krūzī zem filtra piltuvei (20).
- 3) Pievienojiet ierīci strāvas padevei.
- 4) Nospiediet barošanas pogu (3).
- 5) Pēc tam nospiediet pogu Auto Single Cup (1).
- 6) Kad atkalķotājs sāk plūst lejā tukšā kausā, ievietojiet tvaika sprauslas galu (13) glāzē, kas piepildīta ar aukstu ūdeni, un nospiediet tvaika pogu (5).
- 7) Pašādi dažas sekundes un izslēdziet ierīci. Pēc atkalķošanas ierīce trīs reizes jānoskalo ar tīru ūdeni. Lai to izdarītu, atkārtojiet 1. līdz 7. darbību, piepildot ūdens tvertni (9) tikai ar tīru ūdeni.

Problēmu novēršana

Simptoms: nav ūdens / nav tvaika

1. iemesls: vai ūdens tvertnē (9) ir ūdens iekšpusē vai ir savā vietā?

1. risinājums: pievienojiet tvertnei ūdeni (9).

2. iemesls: mašīnā iepriekš nepievieno ūdeni.

2. risinājums: ūdens pievienošanas metode: nospiediet manuālās kafijas tases pogu (4), sūknis sāk sūknēt ūdeni ierīcē, pēc dažām sekundēm nospiediet manuālās kafijas tases pogu (4).

3. iemesls: mašina nepabeidz priekšsildīšanu.

3. risinājums: pagaidiet. Pēc iesildīšanas mašina var pagatavot kafiju. Iesildīšana ir pabeigta, kad gaismas indikators (19) mirgo no zila mirgojoša uz viennēr zila.

Simptoms: nav tvaika

1. iemesls: tvaika caurums ir aizsprostots

1. risinājums: izmantojiet nelielu stiepli, lai iedurtu mazo caurumu tvaika sprauslas apakšpusē (13), notīriet to šādā veidā.

2. risinājums: Kad piena putas ir pabeigtas, tvaika caurules tīrīšanai veiciet karstā ūdens funkciju.

Simptoms: Sliktas piena putas

1. iemesls: vai tas ir pilnpiens?

1. risinājums: izmantojiet pilnpienu.

Simptoms: Sliktas piena putas

1. iemesls: Tvaika poga (5) sāk putot piena putas, pirms ierīce ir pilnībā uzsildīta.

1. risinājums: pagaidiet. Sāciet tvaicēt pēc tam, kad gaismas indikators (19) maina krāsu no sarkanas mirgojošas uz nepārtraukti sarkanu.

TEHNISKIE DATI:

Tilpums max: 1,6 litri

Spriegums: 220-240V ~ 50 / 60Hz

Jauda: 850W

Jauda Max: 1000W

Spiediens: 15 bāri



Apkārtējās vides aizsardzība. Kartona iepakojumu, lūdzu, nododiet atsevišķai pārstrādei. Polietilēna maisījumus (PE) izmest plastmasas izstrādājumiem paredzētajos konteineros. Lietotās elektropreces nododiet attiecīgajos pieņemšanas punktos. Ierīcē satur bīstamas sastāvdaļas, kas var izraisīt draudus apkārtējai videi. Elektroierīce jānodod tā, lai ierobežotu tās atkārtotu izmantošanu. Ja ierīcē atrodas baterijas, izņemiet tās un nododiet pieņemšanas punktā atsevišķi. Produktu neizmest sadzīves atkritumu konteinerā!

(EST) EESTI

## ÜLDISED OHUTUSTINGIMUSED OLULISED OHUTUSJUHISED. PALUN LUGEGE ETTEVAATUST JA HOIDKE TULEVIKUST

1. Enne seadme kasutamist lugege kasutusjuhendit ja järgige selles sisalduvaid juhiseid.
2. Seade on ette nähtud ainult koduseks kasutamiseks. Ärge kasutage muuks otstarbeks kui otstarbeks.
3. Seade tuleks ühendada ainult maandatud pistikupesaga 220-240 V ~ 50/60 Hz. Tööohutuse suurendamiseks ei tohiks mitu vooluahelat üheaegselt ühendada.
4. Kui olete läheduses, kasutage seadet eriti ettevaatlikult.
5. HOIATUS. Seda seadet võivad kasutada üle 8-aastased lapsed ja piiratud füüsilise, sensoorse või vaimse võimekusega inimesed või inimesed, kellel pole seadme kasutamise kohta kogemusi ega teadmisi, kui seda tehakse vastutava isiku järelevalve all. nende ohutuse tagamiseks või neile on antud teavet seadme ohutu kasutamise kohta ja nad on teadlikud selle kasutamisega seotud ohtudest. Lapsed ei tohiks varustusega mängida. Seadme puhastamist ja hooldamist tohivad teha ainult lapsed, välja arvatud juhul, kui nad on üle 8 aasta vanad ja neid toiminguid teostatakse järelevalve all.
6. Keetke paagis olev vesi ja valage see kaks korda, et enne esmakordset kasutamist lõhnast lahti saada.
7. Eemaldage pistik pistikupesast alati pärast kasutamist, hoides pärast kasutamist pistikut käega.
8. Pistiku pistikupesast eemaldamisel ärge kunagi tõmmake toitejuhtmet, vaid pistikust.
9. Ärge jätke seadet atmosfääriolude (vihm, päike jne) kätte ega kasutage kõrge õhuniiskusega tingimustes (vannituba, niiske liikuv kodu).

10. Ärge kastke kaablit, pistikut ja seadet vette ega muusse vedelikku.
11. Kontrollige perioodiliselt toitejuhtme seisukorda. Kui toitejuhe on kahjustatud, peaks selle ohu vältimiseks välja vahetama spetsialiseeritud remonditöökojas.
12. Ärge kasutage seadet kahjustatud toitejuhtmega, kui see on maha kukkunud või muul viisil kahjustatud või kui see ei tööta korralikult. Ärge parandage seadet ise, kuna seal võib tekkida elektrilöögi oht. Viige kahjustatud seade kontrollimiseks või parandamiseks sobivasse teeninduskeskusesse. Kõiki remonditöid tohivad teha ainult volitatud teeninduspunktid. Valesti tehtud remonditööd võivad kasutajale põhjustada tõsiseid ohte.
13. Asetage seade jahedale, stabiilsele pinnale, eemal kuumadest kütteseadmetest, nagu näiteks: elektripliit, gaasipõleti jne.
14. Ärge kasutage seadet tuleohtlike materjalide läheduses.
15. Toitejuhe ei tohi riputada üle laua serva ega puudutada kuuma pinda. Tootja ei vastuta kahjude eest, mis on põhjustatud seadme eesmärgipärasest kasutamisest või ebaõigest kasutamisest. Ärge lubage lastel seadmega mängida, ärge lubage lastel ega inimestel, kes pole seadmega tuttavad, seda kasutada.
16. Ärge jätke seadet sisse lülitatud ega adapterit järelevalveta.
17. Täiendava kaitse tagamiseks on soovitatav paigaldada vooluahelasse jääkvoolu seade (RCD), mille nimijärgivool ei ületa 30 mA. Küsige seda nõu elektrikult.
18. Ärge kunagi kasutage seadet ilma veeta! See võib olla kahjustatud.
19. Ärge kunagi suunake kuuma auru või vett oma keha poole.
20. Ärge kunagi kasutage seadet koos vahuveega !!!
21. Ärge kunagi jätke seadet temperatuuril alla 0 kraadi, kuna see võib seda kahjustada.
22. Enne paagi veega täitmist eemaldage masin alati vooluvõrgust.
23. Puhastage ja kontrollige masinat regulaarselt, et tagada saadud kohvi kvaliteet ja pikendada masina tööiga.
24. Enne puhastamist ühendage toiteallikas alati lahti ja laske kõigil kuumadel osadel jahtuda. Seadet tuleks puhastada kerge mitteabrasiivse puhastusvahendiga. Ärge kunagi kasutage puhastuslahustit, kuna see võib värvikihti kahjustada.
25. Masina katlakivi eemaldamiseks kasutage survekohvimasinatele mõeldud vedelat katlakivi eemaldajat.
26. Kasutamise ajal ärge kunagi puudutage filtri korpust ega piima vahustamisotsakut, kuna see võib põhjustada põletusi.
27. Kasutage ainult originaalvarvikuid.
28. Ärge liigutage ega liigutage seadet töö ajal.

Sellel aparaadil on klassikalised itaalia kontsentreeritud espresso ja cappuccino kohvi funktsioonid. Rikkalik kohviaroom ja vaht, seda on lihtne kasutada ja see on ohutu, seda on lihtne puhastada.

TOOTEKIRJELDUS: KOHVEMASIN Cr4410

- |  |                              |
|--|------------------------------|
| 1. Auto Single Cup - nupp ühe tassi kohvi automaatseks valmistamiseks  | 4. Manuaalne kohvitassi nupp |
| 2. Auto Double Cup - nupp kahe tassi kohvi automaatseks valmistamiseks | 5. Aurunupp                  |
| 3. Toitenupp   | 6. Tilgavõre                 |
| 7. Eemaldatav tilgaalus  | 8. Veemahuti kaas            |
| 9. Veemahuti 1600ml  | 10. Auru nupp                |
| 11. Põhikorpus   | 12. Aurudüüsi käepide        |
| 13. Auruotsik  | 14. Mõõtelusikas             |

- |                                |   |
|--------------------------------|---|
| 15. Filtri käepide             | 16. Filtri kinnituskamber                   |
| 17. Filtri korpus              | 18. Filtreeri jahvatatud kohv 1 tassi jaoks |
| 19. Valgusindikaator           | 20. Lehter                                  |
| 21. Lukustusmärk               | 22. Lukustusmärk                            |
| 23. Kuuma vee funktsiooni märk | 24. Filtreeri jahvatatud kohv 2 tassi jaoks |

## Kasutusjuhend

### Enne esmakordset kasutamist

Pärast seadme lahtipakkimist kontrollige, kas kõik nupud on saadaval ja aurunupp (10) on välja lülitatud. Enne seadme kasutamist pühkige seade (vt Puhastamine ja hooldus).

- Eemaldage veepaak (9), valage vesi paaki (9), veetase ei tohiks ületada märki "MAX". Soovitatav on kasutada filtreeritud vett. See hoiab ära lubja kogunemise ja parandab valmistatud kohvi maitset. Ärge kasutage soodavett.
- Tehase uue lõhna enne esmakordset kasutamist eemaldage kaks korda kuum vesi (juhised allpool).
- Ühendage pistik ja vajutage toitenuppu (3). Sel ajal vilgub märgutuli (19) siniselt. Vajutage käsitsi kohvitassi nuppu (4), et pump töötada, pumpabes vett veepaagist kütteseadmesse.
- Seade hakkab eelkuumutama, sel ajal vilgub märgutuli (19) siniselt; Kui sinine tuli lõpetab vilkumise ja süttib pidev sinine valgustus, on soojendus lõppenud, umbes 2 minutit.
- Vajutage kohvifiltri (18) pesemiseks sooja vee välja laskmiseks nuppu Auto Single Cup (1).
- Korrake ülaltoodud samme 3, 4, 5.
- Tühjendage eemaldatavast tilgutusalusest (7) vesi ja kohv.

### Kuidas espresso kohvi teha?

Ühendage seade toiteallikaga ja vajutage toitenuppu (3). Sel ajal vilgub märgutuli (19) siniselt, oodake, kuni see vilkuma hakkab, siis lõpetab seade kuumutamise ja on kasutamiseks valmis.

- Seadme eelkuumutamise ajal võite jahvatatud kohvipulbri (peaksite kasutama peent pulbrit, mitte liiga paksu ega liiga õhukest) jahvatatud kohvifiltrisse (18). Espressoopsi jaoks kasutage ühte mõõtelusikatäit (14) oma lemmik jahvatatud kohvi. Kahe espressotopsi jaoks kasutage 1,5 mõõtelusikat (14) oma lemmik jahvatatud kohvi. Seejärel suruge seda tihedalt mõõtelusika käepidemega (14); samal ajal pühkige kohvipulbri filtri serval (18). Võite kasutada ka 2 tassi jahvatatud kohvi mahutamiseks sobivat filtrit (24).
- Pange jahvatatud kohviga täidetud filter (18) filtri korpusesse (17), hoidke seda filtri käepidemest (15). Pange jahvatatud kohviga filter avamismärgi (21) alla, liigutage seda paremal küljel lukustamiseks, lihtsalt lukumärgi (22) alla, seejärel asetage kohvitass (või 2 tassi) lehtri alla (20).
- Reguleerige kohvitassi (või 2 tassi korraga) asendit, laske kohvil voolata mööda tassi seina.
- Vajutage:
  - Automaatne ühe tassi nupp (1), kuulete di-di heli, siis hakkab kohv teie tassi välja voolama. Kohv lakkab automaatselt välja voolama, kuulete di-di-di-di-di heli. Ühe kohvi mahutavus on umbes 100 ml.
  - Automaatne topeltkupi nupp (2), kuulete di-di heli, siis hakkab kohv korraga 2 tassi välja voolama. Kohv lakkab automaatselt välja voolama, kuulete di-di-di-di-di heli.
  - käsitsi kohvitassi nupp (4), et kohvi voolata nii kaua kui soovite. Kui kohvi kogus on soovitud tase, vajutage uuesti kohvitassi käsitsi nuppu (4), et kohvi välja voolata. Ärge jätke seadet järelevalveta, see võib kohvi ületäituda.
- Oodake kohvi tilkumist ja kohv on valmis.

### Auruga vahutamise funktsioon

- Vajutage aurunuppu (5), märgutuli (19) muutub punaseks ja see vilgub, kui punane tuli vilgub pidevast punasest tulest, on eelsoojendus lõppenud.
- Auru kogust saab reguleerida vastavalt inimese vilumusele. Enne piimavahu vahustamist peaksite auruotsikus (13) vett vabastama. Piim on soovitatav valada kannu 1/3 kõrgusesse, sisestada auruotsik (13) piima sisse 1 cm sügavusele ja keerata seejärel aurunuppu (10) aeglaselt lahti, kuni aur hakkab väljuma. Kanistrit saab pisut kallutada, kuid ärge puutuge kannuti põhja auruotsikuga (13) kokku.
- Kui piima temperatuur jõuab umbes 75 kraadi Celsiuse järgi ja piimavaht hakkab paisuma, keerake aurunupp (10) asendisse "OFF", lülitage aurunupp (5) välja, et märgutuli (19) sisse lülitada. muutub siniseks, seadme väljalülitamiseks vajutage otse toitenuppu (3). Pärast piimavahu valmimist puhastage piim auruotsiku pinnal õigeaegselt niske lapiga ja pihustage aur, et piim ei kuivaks ja tuulutusava ummistaks.

### Kuidas teha cappuccino kohvi?

- Valmista cappuccino kohvi jaoks suurema mahuga tassid.
- Valmistage kohv vastavalt punktidele 1-5, mida on osaliselt kirjeldatud: Kuidas teha espressokohvi?
- Valmistage piimavaht vastavalt punktidele 1-3, mida on kirjeldatud osas: Auru vahutamise funktsioon.
- Seejärel raputage kannu lauale nii, et piimavaht oleks täielikult segunenud, ja valage see kohviga tassi.

### Kuuma vee funktsioon

- Vajutage toitenuppu (3).
- Seade hakkab eelkuumutama, sel ajal vilgub märgutuli (19) siniselt; Kui sinine tuli lõpetab vilkumise ja süttib pidev sinine valgustus, on soojendus lõppenud, umbes 2 minutit.
- Tõstke tass auruotsiku (13) alla.
- Keerake aurunuppu (10), kuni auruotsik (13) voolab välja kuuma vett. Nupp peaks ületama sooja vee funktsiooni märgi (23) positsiooni.

## 5. Vajutage:

- Automaatne ühe tassi nupp (1), kuulete di-di heli, siis hakkab see teie tassi voolama sooja vett - umbes 150 ml. Vesi lakkab automaatselt välja voolama, kuulete di-di-di-di heli. Kui peate vee väljavoolu viivitamatult peatama, vajutage uuesti nuppu Auto Single Cup (1).
  - Automaatne topeltkupi nupp (2), kuulete di-di heli, siis hakkab see teie tassi vett - umbes 250 ml - välja voolama. Vesi lakkab automaatselt välja voolama, kuulete di-di-di-di heli. Kui peate vee väljavoolu viivitamatult peatama, vajutage uuesti nuppu Auto Double Cup (2).
  - käsitsi kohvitassi nupp (4), et vajadusel kuumu vett välja voolata. Ärge jätkake seadet juhtimiseta. Kui kuumu vee kogus on soovitud tase, vajutage kuumu kohvi väljavoolu peatamiseks uuesti käsitsi kohvitassi nuppu (4). Kui peate vee väljavoolu viivitamatult peatama, vajutage uuesti käsitsi kohvitassi nuppu (4).
6. Kui olete lõpetanud, lülitage aurunupp (10) välja ja vajutage siis toitenuppu (3).
7. Kuumat vett saab kasutada enne kohvi valamist tasside joomiseks, puhastamiseks või tasside soojendamiseks.

## Puhastamine ja hooldus

1. Lülitage toitenupp (3) välja, eemaldage see pistikust ja puhastage seade pärast täielikku jahutamist.
  2. Pärast kasutamist tühjendage veepaak (9). Puhastage veepaaki (9) aeg-ajalt niiske käsna või lapiga.
  3. Eemaldage filter (18) ja eemaldage kasutatud kohv filtrist. Kui filtri augud on kohviga ummistunud, kasutage selle puhastamiseks pintslit. Võite kohvilehtri (20) lahti keerata ja filtri korpuses (17) olevad kohvipaksud puhastada.
  4. Tasse, veepaaki (9), tilgavõret (6), eemaldatavat tilgaalust (7), filtrit (15 + 16 + 17 + 18 + 20) võib pesta veega mõne abrasiivsete abiainetega või lahustiteta puhastusvahendiga. Välised osad tuleb puhastada pehme lapiga või käsna. Väga abrasiivsed puhastusvahendid või harjad võivad põhjustada pinna kriimustusi.
- Märkus. Ärge kasutage alkoholi ega lahustite puhastusvahendit ega kastke masinat puhastamiseks vette.

## Dekaltsineerimise

Kui kohvi valmistamine võtab kauem aega kui kasutamise alguses või kui auruotsik (13) ei tekita auru, tuleb seade katlakivist puhastada. Kui kasutatakse kõva vett, tuleks pärast umbes 40-kordset kasutamist katlakivist puhastada. Pehme vee kasutamisel saab masinat katlakivist puhastada, kui seda on kasutatud umbes 80 korda. Seadme katlakivi eemaldamiseks võib kasutada espressomasina vedelat katlakivi. Enne katlakivi eemaldamist veenduge, et seade on vooluvõrgust lahti ühendatud.

- 1) Vala umbes 250 ml leiget vett ja seejärel 250 ml espressomasina vedelat katlakivi.
- 2) Asetage filter (15 + 16 + 17 + 18 + 20) lukustatud asendisse seadmesse. Seejärel asetage külma veega poolenisti täidetud tass auruotsiku (13) alla ja tühi tass filtrilehtri (20) alla.
- 3) Ühendage seade toiteallikaga.
- 4) Vajutage toitenuppu (3).
- 5) Seejärel vajutage nuppu Auto Single Cup (1).
- 6) Kui katlakivi eemaldaja hakkab voolama tühja tassi, sisestage auruotsik (13) külma veega täidetud tassi ja vajutage aurunuppu (5).
- 7) Oodake mõni sekund ja lülitage seade välja. Pärast katlakivi eemaldamist tuleb seadet loputada kolm korda puhta veega. Selleks korra ees samm 1 kuni 7, täites veepaagi (9) ainult puhta veega.

## vigade

Sümptom: pole vett / pole auru

Põhjus 1: kas veepaagis (9) on vett sees / kas see on paigas?

1. lahendus: lisage mahutisse (9) vett.

Põhjus 2: masinasse ei lisata vett eelnevalt.

Lahendus 2: Vee lisamise viis: vajutage käsitsi kohvitassi nuppu (4), pump hakkab seadmesse vett pumpama, mõne sekundi pärast vajutage käsitsi kohvitassi nuppu (4).

Põhjus 3: masin ei lõpeta eelkuumutamist.

3. lahendus: oodake. Pärast soojenemise lõppu saab masin kohvi teha. Soojendus on lõppenud, kui märgutuli (19) muutub siniselt vilkuvalt pidevalt siniseks.

Sümptom: aur puudub

Põhjus 1: auru auk on blokeeritud

1. lahendus: kasutage väikese juhtmega auruotsiku (13) põhjas oleva väikese augu pistmiseks, puhastage see sel viisil.

Lahendus 2. Kui piimavaht on valmis, puhastage aurutoru kuumu veega.

Sümptom: halb piimavaht

Põhjus 1: kas see on täispiim?

1. lahendus: kasutage täispiima.

Sümptom: halb piimavaht

Põhjus 1: aurunupp (5) hakkab piimavahtu vahutama enne, kui seade on täielikult soojenenud.

1. lahendus: oodake. Alustage aurutamist pärast seda, kui tule indikaator (19) muudab värvi punaselt vilkuvalt pidevalt punaseks.

## TEHNILISED ANDMED:

Maht max: 1,6 liitrit

Pinge: 220-240V ~ 50 / 60Hz

Võimsus: 850W

Maksimaalne võimsus: 1000W

Rõhk: 15 Baari



Hoolitse keskkonnakaitse eest. Kartongist pakendid vii makulatuuri. Kilekotid (PE) viska kasutatud plastiku jaoks ettenähtud mahutitesse. Kasutatud seadmed vii selleks ettenähtud kogumispunktidesse, sest seadmes leiduvad ohtlikud elemendid võivad olla kahjulikud keskkonnale. Elektriseadmed tuleb anda nii ära, et seadet ei saaks enam uuesti kasutada. Kui seadmes on patareid, tuleb need välja võtta ja anda eraldi kogumispunkti. Seadet ei tohi visata olmejäätmete konteineritesse!

## (HU) MAGYAR

### ÁLTALÁNOS BIZTONSÁGI FELTÉTELEK FONTOS BIZTONSÁGI ÚTMUTATÓ. KÉRJÜK FIGYELMESEN OLVASSA FEL MEG A TÖRT

1. A készülék használata előtt olvassa el a használati útmutatót, és kövesse az abban található utasításokat.
2. A készülék csak otthoni használatra készült. Ne használja más célra, amely nem a rendeltetészerű.
3. A készüléket csak egy 220-240 V ~ 50/60 Hz földelésű aljzathoz kell csatlakoztatni. Az üzembiztonság növelése érdekében több elektromos készüléket nem szabad egyszerre csatlakoztatni egy áramkörhöz.
4. Nagyon óvatosan járjon el a készülék használatakor, ha a közelben vannak gyermekek.
5. FIGYELMEZTETÉS: Ezt a készüléket 8 évesnél idősebb gyermekek és csökkent fizikai, szenzoros vagy mentális képességekkel rendelkező személyek, illetve azok a személyek használhatják, akiknek nincs tapasztalata vagy ismerete a berendezésről, ha ezt egy felelős személy felügyelete alatt végzik. biztonságuk érdekében, vagy információkat kaptak nekik az eszköz biztonságos használatáról, és tisztában vannak annak használatának veszélyeivel. A gyermekek nem játszhatnak a felszereléssel. Az eszköz tisztítását és karbantartását csak gyermekek végezhetik, kivéve ha 8 évesnél idősebbek, és ezeket a tevékenységeket felügyelet mellett végzik el.
6. Forraljuk fel a vizet a tartályban, és öntsük meg kétszer, hogy az első használat előtt megszabaduljon a szagától.
7. Használat után mindig húzza ki a dugaszt a hálózati aljzathból.
8. A dugasz kihúzásakor soha ne húzza a tápkábelt, hanem a dugót.
9. Ne tegye ki a készüléket légköri körülményeknek (eső, nap, stb.), illetve ne használja magas páratartalom esetén (fürdőszoba, nedves mobilházak).
10. Ne merítse a kábelt, a dugaszt és a készüléket vízbe vagy más folyadékba.
11. Rendszeresen ellenőrizze a tápkábel állapotát. Ha a tápkábel sérült, akkor a veszély elkerülése érdekében szakosodott javítóműhelyben kell cserélni.
12. Ne használja a készüléket sérült tápkábellel, ha leesett vagy más módon sérült, vagy nem működik megfelelően. Ne javítsa saját kezűleg a készüléket, mert fennáll az áramütés veszélye. Vigye a sérült készüléket megfelelő szervizközpontba ellenőrzés vagy javítás céljából. Minden javítást csak engedéllyel rendelkező szerviz végezhet. A helytelenül elvégzett javítások súlyos veszélyt jelenthetnek a felhasználó számára.
13. Helyezze a készüléket hűvös, stabil felületre, távol a forró konyhai készülékektől, például: elektromos tűzhely, gázégő stb.
14. Ne használja a készüléket gyúlékony anyagok közelében.

15. A tápkábel nem lóghat az asztal szélén, és nem érintheti a forró felületeket. A gyártó nem vállal felelősséget az olyan károkért, amelyeket a készülék rendeltetészerűtlen használata vagy a nem megfelelő működés okozott. Ne engedje, hogy gyermekek játsszanak az eszközzel, ne engedjék, hogy gyermekek vagy a készüléket ismeretlen emberek használják.
16. Ne hagyja bekapcsolt készüléket vagy az adaptert felügyelet nélkül.
17. A kiegészítő védelem érdekében tanácsos az áramkörbe beépíteni egy maradékáram-eszközt (RCD), amelynek névleges maradékáram nem haladja meg a 30 mA-t. Kérjen egy villanszerelőtől ezt a tanácsot.
18. Soha ne használja a készüléket víz nélkül! Sérült lehet.
19. Soha ne irányítson forró gőzt vagy vizet a testéhez.
20. Soha ne használja a készüléket pezsgővel !!!
21. Soha ne hagyja a készüléket 0 Celsius fok alatti hőmérsékleten, mert az károsíthatja.
22. A tartály vízzel való feltöltése előtt mindig húzza ki a készüléket a konnektorból.
23. Rendszeresen tisztítsa meg és ellenőrizze a gépet, hogy biztosítsa a kapott kávé minőségét és meghosszabbítsa a gép élettartamát.
24. Tisztítás előtt mindig húzza ki az áramforrást, és hagyja, hogy az összes forró alkatrész lehűljön. Az eszközt enyhe, nem koptató mosószerrel kell megtisztítani. Soha ne használjon tisztító oldószert, mert ez károsíthatja a festékréteget.
25. A gép vízkömentesítéséhez használjon nyomás alatt álló kávéfőzők számára tervezett folyékony vízkőoldót.
26. Használat közben soha ne érintse meg a szűrőházat vagy a tejhabosító fúvókát, mert égési sérülések veszélye áll fenn.
27. Csak eredeti tartozékokat használjon.
28. Ne mozgassa vagy mozgassa a készüléket működés közben.

Ez a gép klasszikus funkciókkal rendelkezik az olasz koncentrált eszpresszó és cappuccino kávéval. Gazdag kávéaroma és hab, könnyen kezelhető és biztonságos, könnyen tisztítható.

TERMÉKLEÍRÁS: CR4410 KÁVÉGŐ

- |  |                                      |
|--|--------------------------------------|
| 1. Auto Single Cup - gomb egy csésze kávé automatikus elkészítéséhez | 4. Kézi kávécsésze gomb              |
| 2. Auto Double Cup - gomb 2 csésze kávé automatikus elkészítéséhez   | 6. Csepegtető rács                   |
| 3. Bekapcsoló gomb   | 8. A víztartály fedele               |
| 5. Gőzgomb   | 10. Gőzgomb                          |
| 7. Levehető cseppptálca  | 12. Gőzfúvóka fogantyú               |
| 9. Víztartály 1600ml   | 14. Mérőkanál                        |
| 11. Fő ház   | 16. Szűrőtartó bilincs               |
| 13. Gőzfúvóka  | 18. Szűrés örölt kávéhoz 1 csészére  |
| 15. Szűrőfogantyú  | 20. Tölcsér                          |
| 17. Szűrőház   | 22. Zár jel                          |
| 19. Világítás jelző  | 24. Szűrés örölt kávéhoz 2 csészéhez |
| 21. Kinyit jel   |                                      |
| 23. Melegvíz funkció jel   |                                      |

#### Használati utasítás

##### Az első használat előtt

A készülék kicsomagolása után ellenőrizze, hogy az összes gomb rendelkezésre áll-e, és a gőzgomb (10) "OFF" helyzetben van-e. Mielőtt alkalmazná, törölje le a készüléket (lásd: Tisztítás és karbantartás).

1. Távolítsa el a víztartályt (9), öntsön vizet a víztartályba (9), a vízszint nem haladhatja meg a "MAX" jelet. Ajánlott szűrt víz használata. Ez megakadályozza a mész felhalmozódását és javítja az elkészített kávé ízét. Ne használjon szódavizet.
2. Indítson kétszer forró vizet (az alábbiakban olvasható utasítások), hogy az első használat előtt eltávolítsa a gyári új szagot.
3. Dugja be és nyomja meg a bekapcsoló gombot (3). Ekkor a fényjelző (19) kék színűen villog. Nyomja meg a Kézi kávécsésze gombot (4) a szivattyú működéséhez, és pumpálja a vizet a víztartályból a fűtési eszközhöz.



4. A készülék elkezd melegíteni, ekkor a fényjelző (19) kéken villog; Ha a kék fény nem villog, és bekapcsolja a folyamatos kék villágítást, akkor a bemelegítés befejeződik, kb. 2 percig tart.

5. Nyomja meg az Auto Single Cup gombot (1), hogy engedje ki a forró vizet a kávészűrő mosásához (18).

6. Ismétlje meg a fenti 3., 4., 5. lépést.

7. Üritse ki a víz és a kávé kondenzvizét az eltávolítható cseptálcából (7).

Hogyan készítsünk eszpresszó kávé?

Csatlakoztassa a készüléket a tápegységhez és nyomja meg a bekapcsoló gombot (3). Ebben a pillanatban a jelzőfény (19) kéken villog, várjon, amíg nem villog, majd a készülék befejezi a fűtést és használatra kész.

1. Amíg a készülék melegszik, az őrölt kávéport (a finom pormak nem túl vastagnak vagy túl vékonyak kell lennie) az őrölt kávészűrőbe teheti (18). Egy eszpresszóphárhoz használjon egy mérőkanállal (14) kevdenc őrölt kávé. Két eszpresszóphárhoz 1,5 mérőkanállal (14) használja a kevdenc őrölt kávé. Ezután szorosan nyomja meg a mérőkanál fogantyúját (14); ugyanakkor törölje le a kávéport a szűrő szélén (18). Használhatja a 2 csésze őrölt kávé kapacitására alkalmas szűrőt (24) is.

2. Helyezze az őrölt kávéval töltött szűrőt (18) a szűrőházba (17), tartsa a szűrőfogantyúval (15). Helyezze a szűrőt őrölt kávéval a feloldó jel (21) alá, majd mozgassa jobb oldalán a rögzítéshez, közvetlenül a zárjelzés (22) alá, majd helyezze a kávécsésze (vagy 2 csésze) a tölcser alá (20).

3. Állítsa be a kávécsésze helyzetét (vagy 2 csésze egyszerre), hagyja, hogy a kávé a csésze falán folyjon.

4. Nyomja meg:

- Az Auto Single Cup gomb (1) esetén di-di hangot fog hallani, majd elkezd kiáramolni egy kávé a csészehez. A kávé automatikusan kifolyik, di-di-di-di-di hangot hall. Az egyetlen kávé kapacitása körülbelül 100 ml.

- Az Auto Double Cup gomb (2) esetén di-di hangot fog hallani, majd egyszerre 2 csésze kezd kifolyni a kávé. A kávé automatikusan kifolyik, di-di-di-di-di hangot hall.

- a Kézi kávécsésze gomb (4) gomb a kávé kifolyásához, ameddig csak tetszik. Miután a kávé mennyiség eléri a kívánt szintet, nyomja meg ismét a Kézi kávécsésze gombot (4), hogy megállítsa a kávé kiáramlását. Ne hagyja felügyelet nélkül a készüléket, mert az előltheti a kávé.

5. Várjon egy percet, amíg a kávé csöpög, és a kávé kész.

Gőzhab funkció

1. Nyomja meg a Steam gombot (5), a jelzőfény (19) pirosra vált, és villogni kezd, amikor a vörös fény villogól folyamatos vörös fényre vált, az előmelegítés befejeződik.

2. A gőz mennyiségét az egyén jártassága szerint lehet beállítani. Mielőtt meghabosítja a tejhabot, engedje fel a vizet a gőzfúvókában (13). Javasoljuk, hogy öntse a tejet a kancsó 1/3-os magasságába, dugja be a gőzfúvókát (13) a tejbé 1 cm mélyen, majd lassan csavarja le a gőzgombot (10), amíg a gőz ki nem ürül. A kancsát kissé megfordíthatja, de ne érintse meg a kancsó alját a gőzfúvókával (13).

3. Amikor a tej hőmérséklete eléri a 75 Celsius-fokot, és a tejhab elkezdli tágulni, fordítsa a gőzgombot (10) "KI" állásba, kapcsolja ki a gőzgombot (5), hogy világossá váljon a kijelző (19). Kékre vált, nyomja meg közvetlenül a bekapcsoló gombot (3) az eszköz kikapcsolásához.

A tejhab elkészülése után időben tisztítsa meg a tejet a gőzfúvóka felületén egy nedves ruhával, és permetezze be a gőzt, hogy megakadályozza a tej kiszáradását és elzárását.

Hogyan készítsünk cappuccino kávé?

1. Készítsen nagyobb mennyiségű, cappuccino kávéhoz alkalmas csészt.

2. Készítsen kávé az 1-5. Pont szerint: részben: Hogyan készítsünk eszpresszó kávé?

3. Készítse el a tejhabot az 1-3. Pont szerint, amelyet részben ismertelnek: Gőzhab funkció

4. Ezután rázza meg a kancsót az asztalon úgy, hogy a tejhab teljesen megkeveredjen, és öntse azt a kávécsészébe.

Forróvíz funkció

1. Nyomja meg a bekapcsoló gombot (3).

2. A készülék elkezd melegíteni, ekkor a fényjelző (19) kéken villog; Ha a kék fény nem villog, és bekapcsolja a folyamatos kék villágítást, akkor a bemelegítés befejeződik, kb. 2 percig tart.

3. Állítsa fel a csészt a gőzfúvóka alatt (13).

4. Forgassa el a gőzgombot (10), amíg a gőzfúvóka (13) kifolyik a forró vízből. A gombnak meg kell haladnia a melegvíz funkció jelét (23).

5. Nyomja meg:

- Az Auto Single Cup gombbal (1) di-di hangot fog hallani, majd forró víz - kb. 150 ml körül - kezd kifolyni a csészéjéhez. A víz automatikusan leáll, és di-di-di-di-di hangot hall. Ha azonnal ki kell állítania a víz kifolyását, nyomja meg ismét az Auto Single Cup gombot (1).

- Az Auto Double Cup gomb (2) esetén di-di hangot fog hallani, majd elkezd kifolyni a vizet - körülbelül 250 ml-t - a csészéjéhez. A víz automatikusan leáll, és di-di-di-di-di hangot hall. Ha azonnal ki kell állítania a víz kifolyását, nyomja meg ismét az Auto Double Cup gombot (2).

- a Kézi kávécsésze gomb (4) gomb forró víz kifolyásához, ameddig csak szükséges. Ne hagyja a készüléket ellenőrzés nélkül. Miután a melegvíz mennyisége eléri a kívánt szintet, nyomja meg ismét a Kézi kávécsésze gombot (4), hogy megállítsa a forró víz kifolyását. Ha azonnal ki kell állítania a víz kifolyását, nyomja meg ismét a Kézi kávécsésze gombot (4).

6. Ha kész, kapcsolja ki a gőzgombot (10), majd nyomja meg a bekapcsoló gombot (3).

7. A forró víz felhasználható ivóvízre, csészék tisztítására vagy melegítésére, mielőtt a kávé t önteti.

## Tisztítás és karbantartás

1. Kapcsolja ki a bekapcsoló gombot (3), húzza ki a hálózati csatlakozót és tisztítsa meg a készüléket a teljes lehűlés után.
  2. Használat után mindig ürítse ki a víztartályt (9). Időnként tisztítsa meg a víztartályt (9) egy nedves szivaccsal vagy ruhával.
  3. Vegye le a szűrőt (18), és vegye ki a használt kávéát a szűrőből. Ha a szűrőlyukak eldugultak kávéval, kefével tisztítsa meg. Csavarja le a kávécsatornát (20), és megtisztíthatja a kávédarálót a szűrőházban (17).
  4. A csészéket, a víztartályt (9), a csepegtetőt (6), az eltávolítható cseptálcát (7), a szűrőt (15 + 16 + 17 + 18 + 20) mossuk vízzel valamilyen enyhe mosószerrel, koptatóanyagok vagy oldószerek nélkül. A külső alkatrészeket puha ruhával vagy szivaccsal meg kell tisztítani. Az erősen koptató tisztítószerek vagy ecsetek felület karcolást okozhatnak.
- Megjegyzés: Ne használjon alkoholt vagy oldószert, és ne merítse a készüléket vízbe a tisztításhoz.

## mésztelenítés

Ha a kávéfőzés hosszabb ideig tart, mint a használat megkezdésekor, vagy ha a gőzfűvőka (13) nem termel gőzt, akkor a készüléket kalciummentesíteni kell. Kemény víz használata esetén a készüléket kb. 40 alkalommal történő használat után meg kell kalcitálni. Puha víz használata esetén a gépet kb. 80-szoros használat után meg lehet kalciummentesíteni. Az eszpresszógép folyékony vízkömentesítőjét a készülék vízkötenítéséhez lehet használni. A vízkötenítés előtt ellenőrizze, hogy az eszköz le van-e húzva az áramforrásról.

- 1) Öntsön hozzá körülbelül 250 ml langyos vizet, majd adjon hozzá 250 ml eszpresszógép folyadékmentesítőt.
- 2) Helyezze a szűrőt (15 + 16 + 17 + 18 + 20) reteszelt helyzetbe a készülékbe. Ezután tegyen egy hideg vízzel félig kitöltött poharat a gőzfűvőka (13) alá, és egy üres poharat a szűrőtölcsér (20) alá.
- 3) Csatlakoztassa a készüléket a tápegységhez.
- 4) Nyomja meg a bekapcsoló gombot (3).
- 5) Ezután nyomja meg az Auto Single Cup gombot (1).
- 6) Amikor a vízkötenítő elkezd lefolyni egy üres csészébe, illessze a gőzfűvőka végét (13) egy hideg vízzel töltött csészébe, és nyomja meg a gőzgombot (5).
- 7) Várjon néhány másodpercet, és kapcsolja ki a készüléket. A vízkötenítés után az eszközt háromszor tiszta vízzel kell öblíteni. Ehhez ismételje meg az 1–7. Lépést, és a víztartályt (9) csak tiszta vízzel töltsse fel.

## hibaelhárítás

Tünet: Nincs víz / nincs gőz

1. ok: A víztartályban (9) van-e víz belsejében / van-e a helyén?
1. megoldás: Adjunk vizet a tartályhoz (9).
2. ok: A gépbe nem adnak vizet előre.
2. megoldás: A víz hozzáadásának módja: nyomja meg a Kézi kávécsésze gombot (4), a szivattyú elkezd pumpálni a vizet a készülékbe, néhány másodperc múlva nyomja meg a Kézi kávécsésze gombot (4).
3. ok: A gép nem fejezi be az előmelegítést.
3. megoldás: Várjon. A gép a melegítés befejezése után készíthet kávé. A bemelegítés akkor fejeződik be, amikor a fényjelző (19) kék villogásról kékre vált.

Tünet: nincs gőz

1. ok: A gőzlyuk blokkolva van
1. megoldás: Használjon egy kis huzalt a gőzfűvőka alján lévő kis lyukba (13), és tisztítsa meg így.
2. megoldás: Miután a tejhab elkészült, forróvíz funkcióval tisztítsa meg a gőzcsövet.

Tünet: Rossz tejhab

1. ok: Teljes tej?
1. megoldás: Használjon teljes tejet.

Tünet: Rossz tejhab

1. ok: A gőzgombbal (5) a tejhab megkezd a hab felmelegedését, mielőtt a készüléket teljesen felmelegítik.
1. megoldás: Várjon. Indítsa el a gőzölést, miután a lámpa (19) színe piros villogásról folyamatosan pirosra vált.

## MŰSZAKI ADATOK:

Maximális kapacitás: 1,6 liter  
Feszültség: 220-240 V ~ 50 / 60Hz  
Teljesítmény: 850W  
Teljesítmény Max: 1000W  
Nyomás: 15 bar



Törődünk a természeti környezetért. Papír csomagokat kérünk adjanak át a papírhulladéka. Polietilén zacskókat (PE) dobjanak ki a műanyag tartályba. Kimerült gépe vissza kell adni a megfelelő tároló pontjához, mert a gépben levők veszélyes részek, veszedelmesek lehet a környezetnek. Az elektromos gép így kell visszaadni, hogy korlátozzon a re-használatát. Ha az elemek vannak a gépben, ki kell húzni ezeket és a visszakelladni külön tároló pontjához.

OPĆI UVJETI O SIGURNOSTI VAŽNE SIGURNOSNE UPUTE. MOLIMO VASNO  
PROČITAJTE I SPASITE ZA BUDUĆNOST

1. Prije upotrebe uređaja, pročitajte korisnički priručnik i slijedite upute sadržane u njemu.
2. Uređaj je namenjen samo za kućnu upotrebu. Ne koristite za druge svrhe koje nisu prema njegovoj predviđenoj namjeni.
3. Uređaj treba spojiti samo na uzemljenu utičnicu od 220-240 V ~ 50/60 Hz. Da bi se povećala operativna sigurnost, više električnih uređaja ne smije istovremeno biti povezano na jedan strujni krug.
4. Budite izuzetno oprezni kada koristite uređaj kada su djeca u blizini.
5. UPOZORENJE: Ovu opremu mogu koristiti djeca starija od 8 godina i osobe smanjene tjelesne, senzorne ili mentalne sposobnosti, ili ljudi koji nemaju iskustva ili znanje o uređaju, ako se to radi pod nadzorom odgovorne osobe radi njihove sigurnosti ili su im odobreni podaci o sigurnoj upotrebi uređaja i svjesni su opasnosti upotrebe uređaja. Deca se ne smeju igrati sa opremom. Čišćenje i održavanje uređaja ne smiju obavljati djeca, osim ako imaju više od 8 godina i ove aktivnosti se izvode pod nadzorom.
6. Prokuhajte vodu u rezervoaru i sipajte je dva puta kako biste se oslobodili mirisa prije prve upotrebe.
7. Uvek uklonite utikač iz utičnice nakon upotrebe držeći utičnicu rukom nakon upotrebe.
8. Kad uklanjate utikač iz utičnice, nikada ne povlačite kabl za napajanje, nego utikač.
9. Ne izlažite uređaj atmosferskim uvjetima (kiša, sunce itd.) I ne koristite u uvjetima visoke vlažnosti (kupaonice, vlažne mobilne kućice).
10. Ne uranjajte kabl, utikač i uređaj u vodu ili bilo koju drugu tečnost.
11. Povremeno provjeravajte stanje kabela za napajanje. Ako je mrežni kabl oštećen, zamijenite ga specijalnom servisnom radionicom kako biste izbjegli opasnost.
12. Ne koristite uređaj s oštećenim kablom za napajanje ili ako je ispao ili oštećen na bilo koji drugi način ili ako ne radi ispravno. Ne popravljajte uređaj sami jer postoji opasnost od električnog udara. Oštećeni uređaj odnesite u odgovarajući servisni centar radi provjere ili popravljanja. Sve popravke smiju obavljati samo ovlašteni servisi. Nepravilno izvedeni popravci mogu predstavljati ozbiljnu opasnost za korisnika.
13. Uređaj postavite na hladnu i stabilnu površinu, dalje od vrućih kuhinjskih uređaja kao što su: električni štednjak, plinski plamenik itd.
14. Ne koristite uređaj u blizini zapaljivih materijala.
15. Kabl za napajanje možda ne visi preko ivice stola ili dodiruje vruće površine. Proizvođač ne odgovara za štetu nastalu upotrebom uređaja suprotno njegovoj predviđenoj namjeni ili nepravilnom radu. Ne dozvolite djeci da se igraju s uređajem, ne dopustite djeci ili osobama koje nisu upoznate s uređajem da ga koriste.
16. Ne ostavljajte uređaj uključenim ili adapter bez nadzora bez nadzora.
17. Da biste osigurali dodatnu zaštitu, preporučljivo je u električni krug instalirati zaostalu struju (RCD), nazivna zaostala struja ne veća od 30 mA. Pitajte električara za ovaj savjet.
18. Nikada ne koristite uređaj bez vode! Može biti oštećena.

19. Nikada ne usmjeravajte mlaz vruće pare ili vode prema tijelu.
20. Nikada ne koristite uređaj sa gaziranom vodom !!!
21. Nikada ne ostavljajte uređaj na temperaturi nižoj od 0 stepeni Celzijusa, jer može oštetiti.
22. Mašinu uvek isključite iz napajanja pre nego što rezervoar napunite vodom.
23. Redovno čistite i pregledajte mašinu kako biste osigurali kvalitetu kafe i produžili životni vek mašine.
24. Uvijek isključite izvor napajanja prije čišćenja i ostavite da se svi vrući dijelovi ohlade. Uređaj treba očistiti blagim neabrazivnim deterdžentom. Nikada ne koristite otapalo za čišćenje jer to može oštetiti sloj boje.
25. Za uklanjanje kamenca s uređaja koristite tekući sredstvo za uklanjanje kamenca dizajnirano za aparate za kavu pod pritiskom.
26. Za vrijeme upotrebe nikada ne dirajte kućište filtra ili mlaznicu za prženje mlijeka jer postoji opasnost od opekotina.
27. Koristite samo originalnu opremu.
28. Ne pomerajte i ne pomerajte uređaj tokom rada.

Ova mašina ima klasične funkcije talijanskog koncentriranog espressa i kafe s kapućinom. Bogata aroma i pjena za kavu, jednostavan za rukovanje i siguran, lak za čišćenje.

#### OPIS PROIZVODA: KAFEJSKI STROJ Cr4410

- |   |                                       |
|---|---------------------------------------|
| 1. Automatska pojedinačna šalice - tipka za automatsku pripremu 1 šalice kafe |                                       |
| 2. Automatska dupla šolja - tipka za automatsku pripremu 2 šalice kafe        |                                       |
| 3. Taster za napajanje  | 4. Ručno dugme za šolju za kafu       |
| 5. Dugme na pari  | 6. Kapajte rešetku                    |
| 7. Poklopac kapa za vodu koji se može ukloniti                                | 8. Poklopac spremnika vode            |
| 9. Spremnik za vodu 1600ml  | 10. gumb za paru                      |
| 11. Glavno kućište  | 12. Ručica mlaznica na paru           |
| 13. Parna mlaznica  | 14. Mjerna kašika                     |
| 15. Ručica filtera  | 16. Držač filtera                     |
| 17. Kućište filtra  | 18. Filter za mlevenu kafu za 1 šolju |
| 19. Indikator svetla  | 20. Levak                             |
| 21. Oznaka za otključavanje   | 22. Oznaka za zaključavanje           |
| 23. Oznaka funkcije tople vode  | 24. Filter za mlevenu kafu za 2 šolje |

#### Uputstvo za upotrebu

##### Pre prve upotrebe

Nakon otpakiranja uređaja, provjerite jesu li dostupni svi gumbi i je li parni gumb (10) isključen u položaju "OFF". Prije nanošenja obrišite uređaj (pogledajte Čišćenje i održavanje).

1. Izvadite rezervoar za vodu (9), ulijte vodu u rezervoar za vodu (9), nivo vode ne smije prelaziti oznaku "MAX". Preporučuje se upotreba filtrirane vode. Na taj se način sprječava nakupljanje vapna i poboljšava ukus pripremljene kafe. Ne koristite sodu vodu.

2. Pustite vruću vodu dvaput (upute ispod) da biste uklonili tvornički novi miris prije prve upotrebe.

3. Priključite i pritisnite gumb za napajanje (3). U ovom trenutku svjetlosni indikator (19) treperi plavo. Pritisnite tipku za ručnu kafu (4) da biste radili na pumpi, pumpajući vodu iz spremnika vode u uređaj za grijanje.

4. Uređaj počinje da se zagreva, u ovom trenutku lampica (19) treperi plavo; kada plavo svjetlo prestane treptati i uključi stalno plavo osvjettljenje, zagrijavanje je završeno, potrebno je oko 2 minute.

5. Pritisnite tipku Automatska pojedinačna čaša (1) da biste izbacili toplu vodu da opere filter za kafu (18).

6. Ponovite gore navedene korake 3, 4, 5.

7. Ispraznite kondenzaciju iz vode i kafe iz uklonjivog spremnika za kapanje (7).

##### Kako napraviti espresso kafu?

Priključite uređaj na napajanje i pritisnite tipku za napajanje (3). U ovom trenutku indikatorna lampica (19) treperi plavo, pričekajte da prestane treptati, a zatim će uređaj završiti grijanje i biti spreman za upotrebu.

1. Dok se uređaj predgrijava, možete staviti mljeveni kafu u prahu (trebate upotrijebiti fini prah, ne previše gust ili pretanak) u filter mljevene kafe (18). Za jednu šalicu espressa koristite jednu kašiku za mjerenje (14) omiljene mljevene kafe. Za dvije šalice espressa

- koristite 1,5 kašiku za mjerenje (14) omiljene mljevene kafe. Zatim koristite ručicu mjerne žlice (14) da je čvrsto pritisnete; istodobno obrišite kafe u prahu na rubu filtera (18). Možete koristiti filter (24) pogodan i za 2 šalice mljevene kave.
2. Umetnite filter ispunjen mljevenom kavom (18) u kućište filtra (17), držite ga drškom filtera (15). Podmetnite filter sa mljevenom kavom ispod oznake za otključavanje (21), a zatim je pomaknite desnom stranom da biste je zaključali, tik ispod brave (22), a zatim šalicu za kafu (ili 2 šalice) stavite ispod lijevka (20).
  3. Podesite položaj šalice za kafu (ili 2 šalice istovremeno), neka kafa teče duž zida šalice.
  4. Pritisnite:
    - tipku Auto Single Cup (1), čut ćete di-di zvuk, a zatim će početi teći kafa prema vašoj šalici. Kafa prestaje da teče automatski, čut ćete di-di-di-di-di zvuk. Pojedinačna kafa je oko 100ml.
    - tipku Auto Double Cup (2), čut ćete di-di zvuk, a zatim počinje istjecati kava do 2 šalice istovremeno. Kafa prestaje da teče automatski, čut ćete di-di-di-di-di zvuk.
    - Ručno dugme za kafu (4) tipku za ispuštanje kafe koliko god želite. Nakon što će količina kave biti željena razina, ponovo pritisnite gumb za ručnu kafu (4) kako biste zaustavili istjecanje kafe. Aparat ne ostavljajte bez nadzora, on može prelići kafu.
  5. Pričekajte minutu da popije kafa i kafa je spremna.

#### Funkcija pjenjenja parom

1. Pritisnite gumb za paru (5), indikator svjetla (19) postat će crveni i treptat će, kad se crveno svjetlo promijeni iz treptajućeg u kontinuirano crveno svjetlo, predgrijavanje je završeno.
  2. Količina pare može se prilagoditi prema iskustvu pojedinca. Prije pečenja mlječnu pjenu treba pustiti vodu u mlaznici za paru (13). Preporuča se sipati mlijeko u 1/3 visokog vrča, umetnite parnu mlaznicu (13) u mlijeko na dubini od 1 cm, a zatim polako odvijte parni gumb (10) dok para ne počne da se izbacuje. Možete malo namazati vrč, ali ne dodirujte dno posude sa mlaznicom za paru (13).
  3. Kada temperatura mleka dostigne oko 75 stepeni Celzijusa i mlečna pena se počne širiti, okrenite dugme za paru (10) u položaj "OFF", isključite dugme za paru (5) da biste postavili indikator svetlosti (19) počrne plavo, pritisnite tipku za uključivanje (3) izravno da biste isključili uređaj.
- Nakon završetka mlječne pjene na vrijeme očistite mlijeko na površini parne mlaznice vlažnom krpom i raspršite paru kako mlijeko ne bi presušilo i blokiralo odušak.

#### Kako napraviti kafu od kapučina?

1. Pripremite šalice veće količine za kavu s kapučinom.
2. Pripremite kafu prema dijelovima opisanim u točkama 1-5: Kako napraviti kavu za espresso?
3. Pripremite mlječnu pjenu prema dijelovima opisanim u točkama 1-3: Funkcija pjenaste pjene.
4. Zatim otresite vrč na stol tako da se mlječna pjena potpuno izmiješa i prelijte je u šalicu s kafom.

#### Funkcija tople vode

1. Pritisnite tipku za uključivanje (3).
2. Uređaj počinje da se zagreva, u ovom trenutku lampica (19) treperi plavo; kada plavo svjetlo prestane treptati i uključi stalno plavo osvetljenje, zagrijavanje je završeno, potrebno je oko 2 minute.
3. Podignite šalicu ispod parne mlaznice (13).
4. Okrenite dugme za paru (10) sve dok iz mlaznice pare (13) ne istječe topla voda. Ručica treba premašiti položaj oznake za funkciju tople vode (23).
5. Pritisnite:
  - dugme Auto Single Cup (1), čut ćete di-di zvuk, a zatim počinje teći topla voda - oko 150ml - u vašu šalicu. Voda prestaje da teče automatski, čut ćete di-di-di-di-di zvuk. Ako morate zaustaviti istjecanje vode, ponovno pritisnite gumb Auto Single Cup (1).
  - dugme Auto Double Cup (2), čut ćete di-di zvuk, a zatim počinje teći voda - oko 250 ml - u vašu šalicu. Voda prestaje da teče automatski, čut ćete di-di-di-di-di zvuk. Ako morate zaustaviti istjecanje vode, odmah ponovo pritisnite gumb Auto Double Cup (2).
  - Ručno dugme za kafu (4) za istjecanje tople vode koliko god je potrebno. Ne ostavljajte uređaj bez kontrole. Nakon što je količina tople vode na vašem željenom nivou, ponovo pritisnite gumb za ručnu šolju za kafu (4) kako biste zaustavili istjecanje vruće vode. Ako morate zaustaviti istjecanje vode, ponovno pritisnite gumb za ručnu kafu (4).
6. Kada završite, isključite dugme za parovanje (10), a zatim pritisnite taster za uključivanje (3).
7. Topla voda se može koristiti za piće, čišćenje ili grijanje šoljica prije nego što sipate kafu.

#### Čišćenje i održavanje

1. Isključite dugme za napajanje (3), iskopčajte ga i očistite uređaj nakon što se potpuno ohladi.
  2. Nakon upotrebe uvijek ispraznite spremnik za vodu (9). Povremeno očistite spremnik za vodu (9) vlažnom spužvom ili krpom.
  3. Odvojite filter (18) i uklonite iskorišćenu kafu iz filtra. Ako su rupe filtera začepljene kafom, očistite je četkom. Možete odvrnuti levak za kafu (20) i očistiti temeljce za kafu u kućištu filtra (17).
  4. Čaše, rezervoar za vodu (9), rešetka za kapanje (6), uklonjiva posuda za kapanje (7), filter (15 + 16 + 17 + 18 + 20) mogu se oprati u vodi nekim blagim deterdžentom bez abrazivnih tvari ili otapala. Vanjske dijelove treba očistiti mekom krpom ili sunderom. Visoko abrazivna sredstva za čišćenje ili četke mogu uzrokovati ogrebotine na površini.
- Napomena: Nemojte koristiti alkohol ili sredstvo za čišćenje otapala i nemojte ga uranjati u vodu za čišćenje.

## DECALCIFIKACIJA

Ako za pripremu kafe treba duže vremena nego na početku upotrebe ili pama mlaznica (13) ne stvara paru, uređaj treba dekalificirati. Ako se koristi tvrda voda, uređaj treba dekalificirati nakon što se koristi oko 40 puta. Ako se koristi meka voda, stroj se može dekalificirati nakon što se koristi oko 80 puta. Tekući dekalifikator za espresso mašinu može se koristiti za dekalifikaciju uređaja. Prije dekalificiranja provjerite je li uređaj isključen iz napajanja.

1) Ulijte otprilike 250 ml mlake vode, a zatim dodajte 250 ml tečnog dekalifikatora espresso mašine.

2) Postavite filter (15 + 16 + 17 + 18 + 20) u zaključani položaj u uređaj. Zatim stavite šalicu napola napunjenu hladnom vodom ispod mlaznice za paru (13) i praznu čašu ispod lijevka za filtriranje (20).

3) Priključite uređaj na napajanje.

4) Pritisnite tipku za uključivanje (3).

5) Zatim pritisnite tipku Auto Single Cup (1).

6) Kad dekalifikator počne teći dolje u praznu čašu, umetnite vrh mlaznice za paru (13) u čašu napunjenu hladnom vodom i pritisnite dugme za paru (5).

7) Pričekajte nekoliko sekundi i isključite uređaj. Nakon dekalifikacije uređaj treba tri puta isprati čistom vodom. Da biste to učinili, ponovite korake 1 do 7 punjenja rezervoara za vodu (9) samo čistom vodom.

## Otklanjanje problema

Simptom: Nema vode / nema pare

Razlog 1: Da li spremnik za vodu (9) ima vode unutra / postoji?

1. rješenje: Dodajte vodu u rezervoar (9).

Razlog 2: U mašinu se ne dodaje voda unaprijed.

Rješenje 2: Način dodavanja vode: pritisnite tipku za ručnu kafu (4), crpka započinje pumpanje vode u uređaj, a nakon nekoliko sekundi pritisnite gumb za ručnu kafu (4).

Razlog 3: Mašina ne završava predgrijavanje.

3. rješenje: Čekaj. Mašina može napraviti kafu nakon završetka zagrijavanja. Zagrijavanje je završeno kada se indikator svjetla (19) promijeni iz plave treperenja u uvijek plavu.

Simptom: Nema pare

Razlog 1. Blokada pare je blokirana

1. rješenje: Pomoću male žice probušite malu rupicu na dnu parne mlaznice (13), očistite je na ovaj način.

Rješenje 2. Nakon što je mliječna pjena gotova, izvršite funkciju tople vode za čišćenje parne cijevi.

Simptom: Loša mliječna pjena

Razlog 1: Da li je to punomasno mlijeko?

Rešenje 1: Koristite punomasno mleko.

Simptom: Loša mliječna pjena

Razlog 1: Dugme za paru (5) počinje peći mliječnu pjenu prije nego što se uređaj potpuno zagrije.

1. rješenje: Čekaj. Započnite parenje nakon što indikator svjetla (19) promijeni boju iz crvene treperi u kontinuirano crvenu.

## TEHNIČKI PODACI:

Kapacitet max: 1.6 l

Napon: 220-240V ~ 50 / 60Hz

Snaga: 850W

Snaga Max: 1000W

Pritisak: 15 bara



**Brinući za okoliš.** Molimo Vas da kartonska pakovanja odnesete u otkup otpadnog papira. Polietilenske džakove (PE) bacajte u kontejner za plastiku. Iskorišćen uređaj treba odneti na odgovarajuću deponiju, jer opasni sastojci koji se u njemu nalaze, mogu biti opasni za okoliš. Električni uređaj treba odneti na način, koji ograničava njegovu ponovnu upotrebu i korištenje. Ako se u uređaju nalaze baterije, treba ih izvaditi i odvojeno predati na deponiju. **Uređaj se ne smije bacati u kontejner za komunalni otpad!!**

## (RO) ROMÂNĂ

### CONDIȚII GENERALE DE SECURITATE INSTRUȚIUNI IMPORTANTE DE SIGURANȚĂ. VĂ RUGĂM CITIȚI ÎNCETARE ȘI SALVAȚI PENTRU VIITOR

- Înainte de a utiliza dispozitivul, citiți manualul de operare și urmați instrucțiunile conținute de acesta.
- Aparatul este doar pentru uz casnic. Nu folosiți în alte scopuri care nu sunt destinate scopului său.
- Dispozitivul trebuie conectat numai la o priză cu pământ de 220-240 V ~ 50/60 Hz. Pentru a crește siguranța operațională, mai multe dispozitive electrice nu ar trebui să fie conectate la

un circuit de curent în același timp.

4. Aveți precauție extremă atunci când utilizați dispozitivul când copiii sunt în apropiere.

5. AVERTIZARE: Acest echipament poate fi utilizat de copii cu vârsta peste 8 ani și de persoane cu capacitate fizică, senzorială sau mentală redusă sau de persoane care nu au experiență sau cunoștințe despre echipament, dacă acest lucru este realizat sub supravegherea unei persoane responsabile pentru siguranța lor sau le-a fost oferită informații despre utilizarea în siguranță a dispozitivului și sunt conștiente de pericolele de utilizare a acestuia. Copiii nu ar trebui să se joace cu echipamentul. Curățarea și întreținerea dispozitivului nu trebuie să fie efectuată de către copii, cu excepția cazului în care au peste 8 ani și aceste activități sunt desfășurate sub supraveghere.

6. Fierbeți apa în rezervor și turnați-o de două ori pentru a scăpa de miros înainte de prima utilizare.

7. Scoateți întotdeauna mufa din priza electrică după utilizare, ținând priza cu mâna după utilizare.

8. Când scoateți ștecherul din priză, nu trageți niciodată cablul de alimentare, ci ștecherul.

9. Nu expuneți dispozitivul la condiții atmosferice (ploaie, soare etc.) sau nu folosiți în condiții de umiditate ridicată (băi, case mobile umede).

10. Nu scufundați cablul, fișa și dispozitivul în apă sau orice alt lichid.

11. Verificați periodic starea cablului de alimentare. În cazul în care cablul de alimentare este deteriorat, acesta trebuie înlocuit de un atelier de reparații de specialitate pentru a evita pericolul.

12. Nu folosiți dispozitivul cu un cablu de alimentare deteriorat sau dacă a fost aruncat sau deteriorat în alt mod sau dacă nu funcționează corect. Nu reparați singur dispozitivul, deoarece există riscul de electrocutare. Duceți dispozitivul deteriorat la un centru de service corespunzător pentru verificare sau reparare. Toate reparațiile pot fi efectuate numai de către punctele de service autorizate. Reparațiile efectuate incorect pot cauza pericol grav pentru utilizator.

13. Așezați dispozitivul pe o suprafață rece, stabilă, departe de aparatele de bucătărie calde, cum ar fi: aragaz electric, arzător de gaz etc.

14. Nu folosiți dispozitivul în apropierea materialelor inflamabile.

15. Cablul de alimentare nu poate atârna deasupra marginii unei mese sau a atinge suprafețele fierbinți. Producătorul nu este răspunzător pentru daunele cauzate de utilizarea dispozitivului contrar scopului intenționat sau a funcționării necorespunzătoare a acestuia.

Nu permiteți copiilor să se joace cu dispozitivul, nu permiteți copiilor sau persoanelor care nu sunt familiarizate cu dispozitivul să îl folosească.

16. Nu lăsați dispozitivul pornit sau adaptorul nesupravegheat atunci când este nesupravegheat.

17. Pentru a oferi o protecție suplimentară, este recomandabil să instalați un dispozitiv de curent rezidual (RCD) în circuitul electric cu un curent rezidual nominal care să nu depășească 30 mA. Cereți sfatul unui electrician.

18. Nu folosiți niciodată dispozitivul fără apă! Poate fi deteriorat.

19. Nu îndreptați niciodată un flux de abur sau apă caldă către corpul vostru.



20. Nu folosiți niciodată dispozitivul cu apă spumantă !!!
21. Nu lăsați niciodată dispozitivul la o temperatură sub 0 grade Celsius, deoarece îl poate deteriora.
22. Deconectați întotdeauna mașina înainte de a umple rezervorul cu apă.
23. Curățați și inspectați regulat mașina pentru a asigura calitatea cafelei obținute și pentru a prelungi durata de viață a mașinii.
24. Deconectați întotdeauna sursa de alimentare înainte de curățare și lăsați toate părțile fierbinți să se răcească. Dispozitivul trebuie curățat cu un detergent ușor non-abraziv. Nu folosiți niciodată solventul de curățare, deoarece acest lucru ar putea deteriora stratul de vopsea.
25. Pentru descălecarea utilajului, utilizați un produs de decalare a lichidelor conceput pentru producătorii de cafea sub presiune.
26. În timpul utilizării, nu atingeți niciodată carcasa filtrului sau duza de spălare a laptelui, deoarece există riscul de arsuri.
27. Folosiți doar accesorii originale.
28. Nu mișcați și nu mișcați dispozitivul în timpul funcționării.

Această mașină are funcții clasice de cafea espresso și cafea cappuccino. Aroma bogată de cafea și spumă, ușor de utilizat și sigur, ușor de curățat.

#### DESCRIEREA PRODUSULUI: MAȘINĂ DE CAFĂ Cr4410

- |   |  |
|---|--|
| 1. Auto Single Cup - buton pentru pregătirea automată a 1 cană de cafea | 4. Buton manual pentru cafea                   |
| 2. Auto Double Cup - buton pentru pregătirea automată a 2 căni de cafea | 6. Grila de picurare                           |
| 3. Buton de pornire   | 8. Capacul rezervorului de apă                 |
| 5. Buton Steam  | 10. Buton cu abur                              |
| 7. Tava de scurgere detașabilă  | 12. Mânerul duzei de abur                      |
| 9. Rezervor de apă 1600ml   | 14. lingură de măsurare                        |
| 11. Carcasă principală  | 16. Clema de fixare a filtrului                |
| 13. Duza cu abur  | 18. Filtru pentru cafea măcinată pentru 1 cană |
| 15. Mânerul filtrului   | 20. Pâlnie                                     |
| 17. Carcasă filtrantă   | 22. Marcaj de blocare                          |
| 19. Indicator luminos   | 24. Filtru pentru cafea măcinată pentru 2 căni |
| 21. Marcaj de deblocare   |  |
| 23. Marcaj de funcționare a apei calde                                  |  |

#### Instrucțiuni de funcționare

Înainte de a utiliza pentru prima dată

După despachetarea dispozitivului, verificați dacă sunt toate butoanele disponibile și butonul cu abur (10) este oprit în poziția „OFF”. Înainte de aplicare, ștergeți dispozitivul (consultați Curățarea și întreținerea).

1. Scoateți rezervorul de apă (9), turnați apa în rezervorul de apă (9), nivelul apei nu trebuie să depășească marcajul "MAX". Se recomandă utilizarea apei filtrate. Acest lucru previne acumularea de var și îmbunătățește gustul cafelei preparate. Nu folosiți apă cu sodă.
2. Rulați apă caldă de două ori (instrucțiuni de mai jos) pentru a elimina mirosul nou din fabrică înainte de prima utilizare.
3. Conectați și apăsați butonul de pornire (3). În acest moment, indicatorul luminos (19) clipește albastru. Apăsați butonul Manual Cup Cup (4) pentru a lucra pompa, pompând apa din rezervorul de apă la dispozitivul pentru încălzire.
4. Dispozitivul începe să se preîncălzească, în acest moment, indicatorul luminos (19) clipește albastru; când lumina albastră nu mai clipește și pornește iluminarea albastră continuă, încălzirea este finalizată, durează aproximativ 2 minute.
5. Apăsați butonul Auto Single Cup (1) pentru a lăsa apa fierbinte să spele filtrul de cafea (18).
6. Repetați pașii 3, 4, 5 de mai sus.
7. Condensarea goală din apă și cafea din tava de scurgere detașabilă (7).

Cum se face cafea espresso?

Conectați dispozitivul la sursa de alimentare și apăsați butonul de alimentare (3). În acest moment, indicatorul (19) clipește albastru, așteptați până când nu mai clipește, apoi dispozitivul va termina încălzirea și va fi gata de utilizare.

1. În timp ce dispozitivul se preîncălzește, puteți pune praful de cafea măcinat (ar trebui să folosiți pulberea fină, nu prea groasă sau prea subțire) în filtrul de cafea măcinat (18). Pentru o ceașcă de espresso folosiți o lingură de măsurare (14) din cafeaua dvs. preferată. Pentru două cani espresso, folosiți 1,5 linguri de măsurare (14) din cafeaua dvs. preferată. Apoi folosiți mânerul lingurii de măsurare (14) pentru a

- o apăsa bine; în același timp ștergeți pudra de cafea de pe marginea filtrului (18). Puteți utiliza filtrul (24) adecvat și pentru capacitatea de 2 cani de cafea măcinată.
- Introduceți filtrul (18) umplut cu cafea măcinată în carcasa filtrului (17), păstrați-l prin mânerul filtrului (15). Așezați filtrul cu cafea măcinată sub marcajul de deblocare (21), apoi mutați-l pe partea dreaptă pentru a-l bloca, chiar sub semnul de blocare (22), apoi așezați cana de cafea (sau 2 căni) sub pâlnie (20).
  - Reglați poziția canei de cafea (sau 2 căni în același timp), lăsați cafeaua să curgă de-a lungul peretelui cupei.
  - Apăsați:
- butonul Auto Single Cup (1), veți auzi un sunet diferit, apoi începe să vă curgă o cafea în ceașcă. Oprirea cafelei curge automat, veți auzi un sunet di-di-di-di-di-di. O singură cafea are o capacitate de aproximativ 100 ml.
  - butonul Auto Double Cup (2), veți auzi un sunet diferit, apoi începe să curgă cafeaua la 2 căni în același timp. Oprirea cafelei curge automat, veți auzi un sunet di-di-di-di-di-di.
  - butonul Manual Cup Cup (4) pentru a curge cafeaua cât doriți. După ce cantitatea de cafea va fi nivelul dorit, apăsați din nou butonul Manual Cup Coffee (4) pentru a opri scurgerea cafelei. Nu lăsați aparatul nesupravegheat, poate că va revarsa cafeaua.
- Așteptați un minut pentru scurgerea cafelei și cafeaua este gata.

#### Funcție de spumare cu abur

- Apăsați butonul Steam (5), indicatorul luminos (19) va deveni roșu și va clipi, când lumina roșie se va schimba de la intermitent la lumină roșie continuă, preîncălzirea este completă.
  - Cantitatea de abur poate fi ajustată în funcție de competența individului. Înainte de a spuma spuma de lapte, ar trebui să eliberați apa din duza de abur (13). Este recomandat să turnați laptele în înălțimea de 1/3 din ulcior, introduceți duza de abur (13) în lapte la 1 cm adâncime și apoi deșurubați încet butonul de abur (10) până când aburul începe să ejecteze. Puteți balansa un pic ulciorul, dar nu contactați partea inferioară a ulciorului cu duza de abur (13).
  - Când temperatura laptelui atinge aproximativ 75 de grade Celsius și spuma de lapte începe să se extindă, rotiți butonul de abur (10) în poziția „OFF”, opriți butonul abur (5) pentru a face indicatorul luminos (19) devine albastru, apăsați direct butonul de alimentare (3) pentru a opri dispozitivul.
- După terminarea spumei de lapte, curățați laptele de pe suprafața duzei de abur cu o cârpă umedă la timp și pulverizați aburul pentru a împiedica laptele să se usuce și să blocheze aerisirea.

#### Cum se prepară cafea cappuccino?

- Pregătiți căni cu volum mai mare adecvate cafelei cappuccino.
- Pregătiți cafeaua în conformitate cu punctele 1-5 descrise în parte: Cum se prepară cafeaua espresso?
- Pregătiți spuma de lapte conform punctelor 1-3 descrise în parte: Funcția de spumare cu abur.
- Agitați apoi ulciorul pe masă, astfel încât spuma de lapte să fie complet amestecată și turnați-o în ceașcă cu cafea.

#### Funcția apei calde

- Apăsarea butonului de pornire (3).
  - Dispozitivul începe să se preîncălzească, în acest moment, indicatorul luminos (19) clipește albastru; când lumina albastră nu mai clipește și pornește iluminarea albastră continuă, încălzirea este finalizată, durează aproximativ 2 minute.
  - Ridicați cana sub duza de abur (13).
  - Rotiți butonul de abur (10) până când duza de abur (13) curge apă fierbinte. Butonul trebuie să depășească poziția marcajului de funcționare a apei calde (23).
  - Apăsați:
- butonul Auto Single Cup (1), veți auzi un sunet diferit, apoi va începe să curgă apă caldă - în jur de 150 ml - în ceașcă. Apa nu mai curge automat, veți auzi un sunet di-di-di-di-di-di. Dacă trebuie să opriți curgerea apei imediat apăsați din nou butonul Auto Cup individual (1).
  - butonul Auto Double Cup (2), veți auzi un sunet diferit, apoi va începe să curgă apă - în jur de 250 ml - către ceașcă. Apa nu mai curge automat, veți auzi un sunet di-di-di-di-di-di. Dacă trebuie să opriți curgerea apei imediat apăsați din nou butonul Auto Double Cup (2).
  - butonul cupă pentru cafea manuală (4) pentru a curge apă caldă atât timp cât este nevoie. Nu lăsați dispozitivul fără control. După ce cantitatea de apă caldă va fi nivelul dorit, apăsați din nou butonul Manual Cup Cup (4) pentru a opri curgerea apei calde. Dacă trebuie să opriți curgerea apei imediat apăsați din nou butonul Manual Cup Cup (4).
- Când ați terminat, opriți butonul Steam (10), apoi apăsați butonul de alimentare (3) opriți.
  - Apă fierbinte poate fi folosită pentru băut, curățat sau încălzit căni înainte de a vă turna cafeaua.

#### Curățenie și mentenanță

- Opriți butonul de alimentare (3), deconectați-l și curățați dispozitivul după răcirea completă.
  - Goliți întotdeauna rezervorul de apă (9) după utilizare. Din când în când, curățați rezervorul de apă (9) cu un burete sau o cârpă umedă.
  - Scoateți filtrul (18) și îndepărtați cafeaua folosită din filtru. Dacă găurile de filtrare sunt înfundate cu cafea, folosiți o perie pentru a o curăța. Puteți deșuruba pâlnia de cafea (20) și curățați terenul de cafea în carcasa filtrului (17).
  - Cupele, rezervorul de apă (9), grila de picurare (6), tava de scurgere detașabilă (7), filtrul (15 + 16 + 17 + 18 + 20) pot fi spălate în apă cu un anumit detergent ușor, fără substanțe abrazive sau solvenți. . Partile exterioare trebuie curățate cu o cârpă moale sau un burete. Produse de curățare sau perii puternic abrazive pot provoca zgărieturi de suprafață.
- Notă: Nu folosiți substanțe de curățat alcool sau solvent și nu scufundați mașina în apă pentru a curăța.

- decalcifiere
- Dacă prepararea cafelei durează mai mult timp decât la începutul utilizării sau duza de abur (13) nu produce abur, aparatul trebuie decalificat. Dacă se utilizează apă tare, aparatul trebuie decalificat după ce a fost folosit de aproximativ 40 de ori. Dacă se folosește apă moale, mașina poate fi decalificată după ce a fost utilizată de aproximativ 80 de ori. Decalificierul de lichid Espresso poate fi utilizat pentru decalificarea aparatului. Înainte de a decalifica, asigurați-vă că dispozitivul este deconectat de la sursa de alimentare.
- 1) Se toarnă aproximativ 250 ml de apă caldută și apoi se adaugă 250 ml decalificator lichid pentru mașini espresso.
  - 2) Puneți filtrul (15 + 16 + 17 + 18 + 20) în poziție blocată în dispozitiv. Apoi așezați o cană umplută pe jumătate cu apă rece sub duza de abur (13) și o cană goală sub pâlnia filtrului (20).
  - 3) Conectați dispozitivul la sursa de alimentare.
  - 4) Apăsăți butonul de pornire (3).
  - 5) Apoi apăsați butonul Auto Single Cup (1).
  - 6) Când decalificatorul începe să curgă în jos într-o cană goală, introduceți vârful duzei de abur (13) într-o cană umplută cu apă rece și apăsați butonul aburului (5).
  - 7) Așteptați câteva secunde și opriți dispozitivul. După decalificare, dispozitivul trebuie clătit de trei ori cu apă curată. Pentru a face acest lucru, repetați pașii 1 până la 7 umplând rezervorul de apă (9) doar cu apă curată.

#### Depanare

Simptom: Fără apă / fără aburi

Motivul 1: Dacă rezervorul de apă (9) are apă în interior / este în loc?

Soluția 1: Adăugați apă în rezervor (9).

Motivul 2: Nu este adăugată apă în avans în mașină.

Soluția 2: Metoda de adăugare a apei: apăsați butonul Manual Cup Coffee (4), pompa începe să pompeze apa în dispozitiv, apăsați butonul Manual Cup Cup (4) după câteva secunde.

Motivul 3: Mașina nu finalizează preîncălzirea.

Soluția 3: Așteptați. Mașina poate face cafea după finalizarea încălzirii. Încălzirea este finalizată atunci când indicatorul luminos (19) se schimbă de la o lumină intermitentă albastră la cea întotdeauna albastră.

Simptom: Fără aburi

Motivul 1: Gaura de abur este blocată

Soluția 1: Folosiți un fir mic pentru a trage gaura mică din partea inferioară a duzei de abur (13), curățați-o astfel.

Soluția 2. După terminarea spumei de lapte, efectuați o funcție de apă caldă pentru a curăța tubul de abur.

Simptom: spumă de lapte proastă

Motivul 1: Este lapte integral?

Soluția 1: Folosiți lapte integral.

Simptom: spumă de lapte proastă

Motivul 1: Butonul cu abur (5) începe să spumeze spuma de lapte înainte ca dispozitivul să se încălzească complet.

Soluția 1: Așteptați. Începeți aburul după ce indicatorul luminos (19) își schimbă culoarea de la roșu intermitent la roșu continuu.

#### DATE TEHNICE:

Capacitate max: 1,6 litri

Tensiune: 220-240V ~ 50 / 60Hz

Putere: 850W

Putere maximă: 1000W

Presiune: 15 bare



Din grija pentru mediul înconjurător. Ambalajele din carton vă rugăm să le transmiteți la centrele de maculatură.

Saci din polietilenă (PE) trebuie aruncați în recipientele pentru materialele plastice. Dispozitivul uzat trebuie transmis la punctul corespunzător de depozitare, deoarece componentele periculoase care se găsesc în dispozitiv pot fi foarte periculoase pentru mediul înconjurător.

Dispozitivul electric trebuie transmis în așa fel încât să se limiteze utilizarea lui repetată. Dacă în dispozitiv se găsesc baterii acestea trebuie scoase și transmise către punctul de depozitare a acestora, separat.

#### (CZ) ČESKY

### VŠEOBECNÉ BEZPEČNOSTNÍ PODMÍNKY DŮLEŽITÉ BEZPEČNOSTNÍ POKYNY. PŘEČTĚTE SI POZORNĚ ČTĚTE A ULOŽTE BUDOUCNOST

1. Před použitím zařízení si přečtěte návod k obsluze a postupujte podle pokynů v něm obsažených.
2. Zařízení je určeno pouze pro domácí použití. Nepoužívejte k jiným účelům, než k zamýšlenému účelu.
3. Zařízení by mělo být připojeno pouze k uzemněné zásuvce 220-240 V ~ 50/60 Hz. Pro zvýšení provozní bezpečnosti by nemělo být současně připojeno více elektrických zařízení

na jeden proudový obvod.

4. Při používání zařízení v blízkosti dětí buďte velmi opatrní.

5. **VÝSTRAHA:** Toto zařízení mohou používat děti starší 8 let a lidé se sníženou fyzickou, smyslovou nebo duševní schopností nebo lidé, kteří nemají žádné zkušenosti nebo znalosti o vybavení, pokud se tak děje pod dohledem odpovědné osoby. z důvodu jejich bezpečnosti nebo jim byly poskytnuty informace o bezpečném používání zařízení a jsou si vědomy nebezpečí jeho používání. Děti by si s tímto zařízením neměly hrát. Čištění a údržbu zařízení by neměly provádět děti, pokud nejsou starší 8 let a tyto činnosti jsou prováděny pod dohledem.

6. Vařte vodu v nádrži a nalijte ji dvakrát, abyste se zbavili pachu před prvním použitím.

7. Po použití vždy vytáhněte zástrčku ze zásuvky a po použití ji držte za ruku.

8. Při vyjímání zástrčky ze zásuvky nikdy netahejte za napájecí kabel, ale za zástrčku.

9. Nevystavujte zařízení povětrnostním vlivům (děšť, slunce atd.) Ani je nepoužívejte v podmínkách vysoké vlhkosti (koupelny, vlhké mobilní domy).

10. Kabel, zástrčku a zařízení neponořujte do vody ani jiné kapaliny.

11. Pravidelně kontrolujte stav napájecího kabelu. Pokud je napájecí kabel poškozen, měl by být vyměněn v odborném servisu, aby nedošlo k nebezpečí.

12. Nepoužívejte zařízení s poškozeným napájecím kabelem nebo pokud spadl nebo je poškozen jiným způsobem nebo pokud nefunguje správně. Neopravujte zařízení sami, mohlo by dojít k úrazu elektrickým proudem. Poškozené zařízení odнесите do příslušného servisního střediska ke kontrole nebo opravě. Veškeré opravy smí provádět pouze autorizovaný servis. Nesprávně provedené opravy mohou pro uživatele představovat vážné nebezpečí.

13. Umístěte zařízení na chladný, stabilní povrch, mimo horké kuchyňské spotřebiče, jako jsou: elektrický sporák, plynový hořák atd.

14. Nepoužívejte zařízení v blízkosti hořlavých materiálů.

15. Napájecí kabel nesmí viset přes okraj stolu ani se dotýkat horkých povrchů. Výrobce neodpovídá za škody způsobené používáním zařízení v rozporu s jeho určeným účelem nebo nesprávným provozem. Nedovolte dětem, aby si se zařízením hrály, nedovolte dětem nebo osobám neznámým se zařízením, aby jej používaly.

16. Nenechávejte zařízení zapnuté nebo adaptér bez dozoru, pokud je bez dozoru.

17. Pro zajištění dodatečné ochrany je vhodné nainstalovat do elektrického obvodu zařízení se zbytkovým proudem (RCD) s jmenovitým zbytkovým proudem nepřesahujícím 30 mA.

Požádejte o radu elektrikáře.

18. Nikdy nepoužívejte zařízení bez vody! Může být poškozen.

19. Nikdy nemírejte proud horké páry nebo vody na své tělo.

20. Nikdy nepoužívejte zařízení s perlivou vodou !!!

21. Nikdy nenechávejte zařízení při teplotě pod 0 stupňů Celsia, protože by jej mohlo poškodit.

22. Před naplněním nádrže vodou vždy odpojte stroj.

23. Pravidelně čistěte a kontrolujte stroj, aby se zajistila kvalita získané kávy a prodloužila se životnost stroje.

24. Před čištěním vždy odpojte zdroj napájení a nechte všechny horké části vychladnout. Zařízení by mělo být čištěno jemným neabrazivním čisticím prostředkem. Nikdy nepoužívejte čisticí rozpouštědlo, protože by to mohlo poškodit vrstvu barvy.
25. K odstranění vodního kamene zařízení použijte odvápňovač kapalin určený pro tlakové kávovary.
26. Během používání se nikdy nedotýkejte pouzdra filtru nebo trysky na pění mléka, protože hrozí nebezpečí popálení.
27. Používejte pouze originální příslušenství.
28. Během provozu zařízení nepohybujte ani nehýbejte.

Tento stroj má klasické funkce italské koncentrované kávy espresso a cappuccino. Bohatá kávová vůně a pěna, snadno ovladatelná a bezpečná, snadno čistitelná.

#### POPIS PRODUKTU: KÁVOVÝ STROJ Cr4410

- |  |                                      |
|--|--------------------------------------|
| 1. Auto Single Cup - tlačítko pro automatickou přípravu 1 šálek kávy | 4. Tlačítko Manual Coffee Cup        |
| 2. Auto Double Cup - tlačítko pro automatickou přípravu 2 šálků kávy | 6. Odtoková mřížka                   |
| 3. Vypínač   | 8. Víko nádrže na vodu               |
| 5. Tlačítko páry   | 10. Knoflík na páru                  |
| 7. Odnímatelná odkapávací miska                                      | 12. Rukojeť parní trysky             |
| 9. Nádrž na vodu 1600 ml   | 14. Měřicí lžice                     |
| 11. Hlavní kryt  | 16. Přidrzná spona filtru            |
| 13. Parní tryska   | 18. Filtr na mletou kávu na 1 šálek  |
| 15. Rukojeť filtru   | 20. Nálevka                          |
| 17. Pouzdro filtru   | 22. Zablokujte značku                |
| 19. Světelný indikátor   | 24. Filtr na mletou kávu pro 2 šálky |
| 21. Odemkněte značku   |                                      |
| 23. Značka funkce horké vody   |                                      |

#### Operační instrukce

##### Před prvním použitím

Po vybalení zařízení zkontrolujte pomocí tlačítka všechna tlačítka a knoflík páry (10) vypnutý v poloze „OFF“. Před použitím zařízení otřete (viz Čištění a údržba).

1. Vyjměte vodní nádrž (9), nalijte vodu do vodní nádrže (9), hladina vody by neměla překročit značku „MAX“. Doporučuje se používat filtrovanou vodu. Tím se zabráňuje hromadění vápna a zlepšuje chuť připravené kávy. Nepoužívejte sodovou vodu.
2. Před prvním použitím dvakrát horkou vodu (pokyny níže) odstraňte nový zápach z výroby.
3. Připojte a stiskněte hlavní vypínač (3). Nyní bliká modrá kontrolka (19). Stisknutím tlačítka Ruční kávový šálek (4) spusťte čerpadlo a čerpejte vodu z vodní nádrže do zařízení pro ohřev.
4. Zařízení se začne předehřívat, v tomto okamžiku bliká modrá kontrolka (19); Když modré světlo přestane blikat a rozsvítí se nepřetržitě modré osvětlení, zahřívání je dokončeno, trvá to asi 2 minuty.
5. Stisknutím tlačítka Auto Single Cup (1) vypustíte horkou vodu, aby se umyl kávový filtr (18).
6. Opakujte výše uvedené kroky 3, 4, 5.
7. Z odnímatelné odkapávací misky (7) vypustíte kondenzát z vody a kávy.

##### Jak připravit kávu espresso?

Připojte zařízení k napájení a stiskněte tlačítko napájení (3). V tuto chvíli kontrolka (19) bliká modře, počkejte, až přestane blikat, pak zařízení dokončí ohřev a bude připraveno k použití.

1. Během předehřívání zařízení můžete do mletého kávového filtru (18) vložit mletý kávový prášek (měli byste použít jemný prášek, ne příliš silný nebo příliš tenký). Pro jeden šálek espressa použijte jednu odměrku (14) své oblíbené mleté kávy. U dvou šálků espressa použijte 1,5 odměrné lžice (14) své oblíbené mleté kávy. Potom pomocí držadla odměrné lžice (14) pevně přitlačte; současně utřete kávový prášek na okraji filtru (18). Můžete také použít filtr (24) vhodný pro 2 šálky mleté kávy.
2. Vložte filtr naplněný mletou kávou (18) do pouzdra filtru (17), držte jej za držadlo filtru (15). Nasadte filtr s mletou kávou pod značku pro odemknutí (21), poté jej přesuňte na pravou stranu, abyste ji zajistili, těsně pod značkou pro zámek (22), potom umístíte šálek kávy (nebo 2 šálky) pod nálevku (20).
3. Upravte polohu šálku kávy (nebo 2 šálků současně), nechte kávu teče podél stěny šálku.
4. Stiskněte:
  - tlačítko Auto Single Cup (1), uslyšíte zvuk di-di, poté začne do vašeho šálku vytékat káva. Kávy přestanou automaticky vytékat, uslyšíte zvuk di-di-di-di. Jedna káva má kapacitu přibližně 100 ml.
  - tlačítko Auto Double Cup (2), uslyšíte zvuk di-di a poté začne vytékat káva do 2 šálků současně. Kávy přestanou automaticky vytékat, uslyšíte zvuk di-di-di-di.

- tlačítko Manuální šálek kávy (4) pro vypouštění kávy tak dlouho, jak budete chtít. Poté, co množství kávy bude na vaší požadované úrovni, stiskněte znovu tlačítko Ruční šálek kávy (4), abyste zastavili průtok kávy. Neopouštějte zařízení bez dozoru, mohlo by to přetěct kávu.

5. Počkejte minutu na odkapávání kávy a káva je připravena.

#### Funkce napěňování páry

1. Stiskněte tlačítko Steam (5), světelný indikátor (19) se rozsvítí červeně a bude blikat, když se červené světlo změní z blikajícího na nepřetržitě červené světlo a přehřívání je dokončeno.
  2. Množství páry může být upraveno podle individuální kvalifikace. Před napěněním mléčné pěny byste měli vypustit vodu z parní trysky (13). Doporučuje se nalévat mléko do 1/3 výšky džbánu, vsunout parní trysku (13) do mléka v hloubce 1 cm a poté pomalu odšroubovat knoflík páry (10), dokud pára nezačne vytékat. Džbán můžete trochu naklonit, ale nedotýkejte se dna džbánu parní tryskou (13).
  3. Když teplota mléka dosáhne přibližně 75 stupňů Celsia a mléčná pěna se začne rozšiřovat, otočte knoflík páry (10) do polohy „OFF“, vypněte tlačítko páry (5), aby se rozsvítil světelný indikátor (19) změnil barvu na modrou a vypněte zařízení stisknutím tlačítka napájení (3).
- Po dokončení mléčné pěny očistěte mléko včas na povrchu parní trysky navlhčeným hadříkem a rozprašujte páru, abyste zabránili vyschnutí mléka a zablokování větrání.

#### Jak vyrobit cappuccino kávu?

1. Připravte si větší objem šálků vhodných pro cappuccino kávu.
2. Připravte kávu podle bodů 1-5 popsanych v části: Jak připravit kávu espresso?
3. Připravte mléčnou pěnu podle bodů 1-3 popsanych v části: Funkce napěňování páry.
4. Potom protřepejte džbán na stole tak, aby se mléčná pěna úplně promíchala a nalijte ji do šálku s kávou.

#### Funkce horké vody

1. Stiskněte hlavní vypínač (3).
2. Zařízení začne přehřívát, v tomto okamžiku bliká modrá kontrolka (19); Když modré světlo přestane blikat a rozsvítí se nepřetržitě modré osvětlení, zahřívání je dokončeno, trvá to asi 2 minuty.
3. Postavte šálek pod parní trysku (13).
4. Otáčejte knoflíkem páry (10), dokud tryska páry (13) vytéká horkou vodou. Knoflík by měl přesahovat polohu značky funkce horké vody (23).
5. Stiskněte:
  - tlačítko Auto Single Cup (1), uslyšíte zvuk di-di, pak začne do vašeho šálku vytékat horká voda - kolem 150 ml. Voda přestane automaticky vytékat, uslyšíte zvuk di-di-di-di-di. Pokud musíte zastavit průtok vody, stiskněte znovu tlačítko Auto Single Cup (1).
  - tlačítko Auto Double Cup (2), uslyšíte zvukový signál di-di, poté začne vytékat voda - kolem 250 ml - do vašeho šálku. Voda přestane automaticky vytékat, uslyšíte zvuk di-di-di-di-di. Pokud musíte zastavit průtok vody, stiskněte znovu tlačítko Auto Double Cup (2).
  - tlačítko manuálního šálku kávy (4) pro vypouštění horké vody tak dlouho, jak je potřeba. Neopouštějte zařízení bez kontroly. Jakmile bude požadovaná hladina horké vody, stiskněte znovu tlačítko Manuální šálek kávy (4) a zastavte průtok horké vody. Pokud musíte zastavit průtok vody, stiskněte znovu tlačítko Ruční šálek kávy (4).
6. Po dokončení vypněte parní knoflík (10) a poté vypněte vypínač (3).
7. Horkou vodu lze před nalitím kávy použít k pití, čištění nebo ohřevu šálků.

#### Čištění a údržba

1. Vypněte hlavní vypínač (3), odpojte jej a po úplném vychladnutí zařízení vyčistěte.
  2. Nádržku na vodu (9) po použití vždy vyprázdněte. Občas vyčistěte vodní nádrž (9) vlhkou houbou nebo hadříkem.
  3. Odpojte filtr (18) a vyjměte použitou kávu z filtru. Pokud jsou otvory filtru ucpané kávou, vyčistěte je pomocí kartáče. Můžete odšroubovat kávový trychtýř (20) a vyčistit kávovou sedlinu v pouzdru filtru (17).
  4. Šálky, vodní nádrž (9), odkapávací mížka (6), odnímatelná odkapávací miska (7), filtr (15 + 16 + 17 + 18 + 20) lze prát ve vodě jemným čisticím prostředkem bez abrazivních látek nebo rozpouštědel. Vnější části by měly být čišťeny měkkým hadříkem nebo houbou. Vysoce abrazivní čisticí prostředky nebo kartáče mohou způsobit poškřábání povrchu.
- Poznámka: Nepoužívejte alkohol ani rozpouštědlový čistič a neponořujte stroj do vody k čištění.

#### DECALCIFIKACE

Pokud vaření kávy trvá déle než na začátku použití nebo parní tryska (13) nevytváří páru, je třeba zařízení odvápnit. Pokud používáte tvrdou vodu, měl by se spotřebič odvápnit po přibližně 40 násobném použití. Je-li použita měkká voda, lze stroj odvápnit přibližně po 80 použitích. K odvápnění zařízení lze použít kapalnou odvápnovací stroj na espresso. Před odvápněním se ujistěte, že je zařízení odpojeno od napájení.

- 1) Nalijte přibližně 250 ml vlažné vody a poté přidejte 250 ml kapalného odvápnovače espressa.
- 2) Vložte filtr (15 + 16 + 17 + 18 + 20) do zajištěné polohy do zařízení. Poté umístěte šálek naplň naplněnou studenou vodou pod parní trysku (13) a prázdný šálek pod filtrační nálevku (20).
- 3) Připojte zařízení k napájení.
- 4) Stiskněte tlačítko napájení (3).
- 5) Poté stiskněte tlačítko Auto Single Cup (1).
- 6) Jakmile odvápnovač začne stékat do prázdného šálku, vložte špičku parní trysky (13) do šálku naplněného studenou vodou a stiskněte tlačítko páry (5).

7) Поčkejте нѐколік секунд а выпнѐте зарїженїе. По одвѐпнѐнїи мусї бїт зарїженїе трїкрѐт проплѐхнуро чїстуро водуро. Чхете-лї то провѐст, опакужте крокы 1 ађ 7 наплнѐнїи нѐдрђе на водуро (9) поузе чїстуро водуро.

Одстрашованїи проблемѐ

Прїзнак: ђаднѐ водѐ / ђаднѐ парѐ

Дѐвод 1: Зда мѐ воднїи нѐдрђ (9) водуро увнїтї / же на свѐм мїстѐ?

Рѐшенїи 1: Прїдежте водуро до нѐдрђе (9).

Дѐвод 2: До строе ненї прѐдем прїдѐна ђаднѐ водѐ.

Рѐшенїи 2: Зпѐсоб прїдѐванїи водѐ: стїскнѐте тлѐчїткоро Manual Coffee Cup (4), ђерпадо зађне пумповѐт водуро до зарїженїа, стїскнѐте тлѐчїткоро Manual Coffee Cup (4) по нѐколікѐ секундѐх.

Дѐвод 3: Строе недоконђї прїдехрѐв.

Рѐшенїи 3: Пођкежте. По доконђенїи захрїванїи мѐже строе прїрѐвїт кѐву. Захрїванїи же доконђено, кдђ же стїснѐткоро (19) змѐнїи з модрѐ блїкѐжїїчїи до стѐле свїтїїчїи модрѐ.

Прїзнак: ђаднѐ парѐ

Дѐвод 1: Парнї отвор же блѐковѐн

Рѐшенїи 1: Помѐцї малѐго дрѐту вырїзнѐте малѐ отвор ве споднї чѐстї парнї трыскї (13), вычїстѐте же тїмто зпѐсобем.

Рѐшенїи 2: По доконђенїи млѐчнѐ пѐны проведѐте хѐкоро водуро а вычїстѐте парнї трубїчї.

Прїзнак: ђпатнѐ млѐчнѐ пѐна

Дѐвод 1: Же то плѐтуђнѐ млѐко?

Рѐшенїи 1: Поужїте плѐтуђнѐ млѐко.

Прїзнак: ђпатнѐ млѐчнѐ пѐна

Дѐвод 1: Тлѐчїткоро пѐры (5) зађне зпѐнѐват млѐчнѐ пѐну прѐд ѐплнѐм захрїтїем зарїженїа.

Рѐшенїи 1: Пођкежте. Зађнѐте с кѐурѐнїем потѐ, со свѐтелнѐнїи индїкѐтор (19) змѐнїи барву з ђервенѐго блїкѐнїа на непѐтрђїтѐ ђервенѐу.

TECHNICKĀ DATA:

Maxїmѐlnїи kapacїta: 1,6 лїтру

Напѐтїи: 220-240 В ~ 50/60 Гц

Вѐкон: 850 W

Вѐкон Max: 1000 W

Тлѐк: 15 барѐ



Охранѐ жївѐтнїи прѐстрїедї. Картон оведѐжте до сбѐру. Поулетїленѐе сѐчкї (PE) выхѐжте до контеjnеру на плѐсты. Выслѐужїлѐе прїстрое оведѐжте до прїслѐшнѐго сбѐрѐнѐго двѐру, потѐже нѐкѐтерѐ чѐстї зарїженїа мѐжу прѐдставѐват про жївѐтнїи прѐстрїедї небезпѐчїе. Электрїкѐе прїстрое оведѐжте тѐк, абы се омежїло жео опѐтовнѐе поужїванїе. Пѐкод жсѐу в прїстрое батерїе, выжїмѐте же а оведѐжте до прїслѐшнѐго сбѐрѐнѐго мїста злѐїшїтї. Прїстрое невыхѐжте до попелнїц анї контеjnеру на смѐшнѐе отпадтї!

(RU) РУССКИЙ

## ОБЩИЕ УСЛОВИЯ БЕЗОПАСНОСТИ ВАЖНЫЕ ПРАВИЛА ТЕХНИКИ БЕЗОПАСНОСТИ. ПОЖАЛУЙСТА, ВНИМАТЕЛЬНО ПРОЧИТАЙТЕ И СОХРАНИТЕ НА БУДУЩЕЕ

1. Перед использованием устройства прочитайте инструкцию по эксплуатации и следуйте инструкциям, содержащимся в нем.
2. Устройство предназначено только для домашнего использования. Не используйте для других целей, которые не по назначению.
3. Устройство должно быть подключено только к заземленной розетке 220-240 В ~ 50/60 Гц. Для повышения безопасности эксплуатации не следует подключать несколько электрических устройств к одной цепи тока одновременно.
4. Будьте предельно осторожны при использовании устройства, когда рядом находятся дети.
5. ПРЕДУПРЕЖДЕНИЕ. Данное оборудование может использоваться детьми старше 8 лет и людьми с ограниченными физическими, сенсорными или умственными



способностями или людьми, не имеющими опыта или знаний об оборудовании, если это делается под присмотром ответственного лица. Для их безопасности или были предоставлены им информацию о безопасном использовании устройства и знают об опасностях его использования. Дети не должны играть с оборудованием. Чистка и техническое обслуживание устройства не должны выполняться детьми, за исключением случаев, когда им исполнилось 8 лет и эти действия выполняются под наблюдением.

6. Вскипятите воду в резервуаре и налейте ее дважды, чтобы избавиться от запаха перед первым использованием.

7. Всегда вынимайте вилку из розетки после использования, удерживая розетку рукой после использования.

8. При извлечении вилки из розетки никогда не тяните за шнур, за вилку.

9. Не подвергайте устройство воздействию атмосферных условий (дождь, солнце и т. Д.) И не используйте его в условиях повышенной влажности (ванные комнаты, влажные мобильные дома).

10. Не погружайте кабель, вилку и устройство в воду или любую другую жидкость.

11. Периодически проверяйте состояние шнура питания. Если шнур питания поврежден, его следует заменить в специализированной ремонтной мастерской, чтобы избежать опасности.

12. Не используйте устройство с поврежденным шнуром питания, или если оно упало или повреждено каким-либо иным образом или оно не работает должным образом. Не ремонтируйте устройство самостоятельно, так как существует риск поражения электрическим током. Доставьте поврежденное устройство в соответствующий сервисный центр для проверки или ремонта. Все ремонтные работы могут выполняться только авторизованными сервисными центрами. Неправильно выполненный ремонт может привести к серьезной опасности для пользователя.

13. Поместите устройство на прохладную, устойчивую поверхность, вдали от горячих кухонных приборов, таких как: электрическая плита, газовая горелка и т. Д.

14. Не используйте устройство рядом с легковоспламеняющимися материалами.

15. Шнур питания не должен свисать с края стола или касаться горячих поверхностей.

Производитель не несет ответственности за ущерб, вызванный использованием устройства вопреки его назначению или неправильной эксплуатации. Не позволяйте детям играть с устройством, не позволяйте детям или людям, незнакомым с устройством, использовать его.

16. Не оставляйте устройство включенным или адаптер без присмотра.

17. Для обеспечения дополнительной защиты рекомендуется установить устройство защитного отключения (УЗО) в электрической цепи с номинальным током не более 30 мА. Попросите электрика за этот совет.

18. Никогда не используйте устройство без воды! Это может быть повреждено.

19. Никогда не направляйте поток горячего пара или воды на ваше тело.

20. Никогда не используйте прибор с газированной водой !!!

21. Никогда не оставляйте устройство при температуре ниже 0 градусов Цельсия, так как это может повредить его.
22. Всегда отключайте машину от сети перед заполнением бака водой.
23. Регулярно очищайте и осматривайте аппарат, чтобы убедиться в качестве получаемого кофе и продлите срок его службы.
24. Всегда отсоединяйте источник питания перед чисткой и дайте остыть горячим деталям. Устройство следует очищать мягким неабразивным моющим средством. Никогда не используйте чистящий растворитель, так как это может повредить слой краски.
25. Для удаления накипи используйте жидкое средство для удаления накипи, предназначенное для кофеварок под давлением.
26. Во время использования никогда не прикасайтесь к корпусу фильтра или насадке для вспенивания молока, так как это может привести к ожогам.
27. Используйте только оригинальные аксессуары.
28. Не перемещайте и не перемещайте устройство во время работы.

Эта машина имеет классические функции итальянского концентрированного кофе эспрессо и капучино. Насыщенный кофейный аромат и пена, просты в эксплуатации и безопасны, легко моются.

#### ОПИСАНИЕ ПРОДУКТА: КОФЕЙНАЯ МАШИНА Cr4410

- |  |  |
|--|--|
| 1. Auto Single Cup - кнопка для автоматического приготовления 1 чашки кофе |  |
| 2. Auto Double Cup - кнопка для автоматического приготовления 2 чашек кофе |  |
| 3. Кнопка питания  | 4. Ручная кнопка кофейной чашки          |
| 5. Кнопка Steam  | 6. Капельная сетка                       |
| 7. Съёмный поддон  | 8. Крышка резервуара для воды            |
| 9. Бак для воды 1600 мл  | 10. Ручка пара                           |
| 11. Главный корпус   | 12. Ручка парового сопла                 |
| 13. Паровая насадка  | 14. Мерная ложка                         |
| 15. Ручка фильтра  | 16. Держатель фильтра                    |
| 17. Корпус фильтра   | 18. Фильтр для молотого кофе на 1 чашку. |
| 19. Световой индикатор   | 20. Воронка                              |
| 21. Метка разблокировки  | 22. Метка блокировки                     |
| 23. Знак горячей воды  | 24. Фильтр для молотого кофе на 2 чашки. |

#### Инструкция по использованию

Перед использованием в первый раз

После распаковки устройства проверьте, все ли кнопки доступны, и ручка пара (10) выключена в положении «Выкл». Перед применением протрите устройство (см. Очистка и техническое обслуживание).

1. Снимите водяной бак (9), налейте воду в водяной бак (9), уровень воды не должен превышать отметку «MAX». Рекомендуется использовать фильтрованную воду. Это предотвращает накопление извести и улучшает вкус приготовленного кофе. Не используйте газированную воду.
2. Дважды включите горячую воду (инструкции ниже), чтобы удалить новый заводской запах перед первым использованием.
3. Подключите и нажмите кнопку питания (3). В это время световой индикатор (19) мигает синим цветом. Нажмите кнопку Manual Coffee Cup (4), чтобы включить насос, откачивая воду из водяного бака в устройство для нагрева.
4. Устройство начинает прогреваться, в это время световой индикатор (19) мигает синим цветом; Когда синий индикатор перестает мигать и включается непрерывный синий свет, прогрев завершается, это занимает около 2 минут.
5. Нажмите кнопку Auto Single Cup (1), чтобы выпустить горячую воду для промывки фильтра для кофе (18).
6. Повторите шаги 3, 4, 5 выше.
7. Слейте конденсат с воды и кофе из съёмного поддона (7).

Как приготовить кофе эспрессо?

Подключите устройство к источнику питания и нажмите кнопку питания (3). В этот момент индикатор (19) мигает синим цветом, подождите, пока он не перестанет мигать, затем устройство завершит нагрев и будет готово к использованию.

1. Во время предварительного нагрева устройства вы можете поместить порошок молотого кофе (вы должны использовать мелкий порошок, не слишком толстый или слишком тонкий) в фильтр молотого кофе (18). Для одной чашки эспрессо используйте

- одну мерную ложку (14) вашего любимого молотого кофе. Для двух чашек эспрессо используйте 1,5 мерные ложки (14) вашего любимого молотого кофе. Затем используйте ручку мерной ложки (14), чтобы плотно прижать ее; одновременно протрите кофейный порошок на краю фильтра (18). Вы также можете использовать фильтр (24), рассчитанный на 2 чашки молотого кофе.
2. Вставьте заполненный молотым кофе фильтр (18) в корпус фильтра (17), удерживая его за ручку фильтра (15). Установите фильтр с молотым кофе под отметкой разблокировки (21), затем переместите его с правой стороны, чтобы зафиксировать его, под отметкой блокировки (22), затем поместите кофейную чашку (или 2 чашки) под воронку (20).
  3. Отрегулируйте положение кофейной чашки (или 2 чашек одновременно), дайте кофе стечь вдоль стенки чашки.
  4. Нажмите:
    - кнопка Auto Single Cup (1), вы услышите звук ди-ди, затем он начнет вытекать кофе в вашу чашку. Кофе перестает вытекать автоматически, вы услышите звук ди-ди-ди-ди-ди. Один кофе составляет около 100 мл.
    - кнопка Auto Double Cup (2), вы услышите звук ди-ди, затем начнет вытекать кофе до 2 чашек одновременно. Кофе перестает вытекать автоматически, вы услышите звук ди-ди-ди-ди-ди.
    - кнопка «Ручная чашка кофе» (4), чтобы выливать кофе сколько угодно. После того, как количество кофе достигнет желаемого уровня, снова нажмите кнопку ручной кофейной чашки (4), чтобы остановить вытекание кофе. Не оставляйте прибор без присмотра, он может переполнить кофе.
  5. Подождите минуту, пока кофе капает, и кофе готов.

#### Функция вспенивания паром

1. Нажмите кнопку Steam (5), световой индикатор (19) загорится красным и начнет мигать, когда красный индикатор изменится с мигающего на постоянный красный, предварительный нагрев завершен.
  2. Количество пара может быть отрегулировано в соответствии с мастерством человека. Перед вспениванием молочной пены следует выпустить воду в паровой насадке (13). Рекомендуется налить молоко в 1/3 высоты кувшина, вставить насадку для пара (13) в молоко на глубине 1 см, а затем медленно отвинтить ручку (10), пока пар не начнет выходить. Вы можете немного раскачивать кувшин, но не касайтесь его нижней части паровым соплом (13).
  3. Когда температура молока достигает примерно 75 градусов по Цельсию, и молочная пена начинает расширяться, поверните ручку пара (10) в положение «ВЫКЛ», выключите кнопку подачи пара (5), чтобы загорелся индикатор (19) синий, нажмите кнопку питания (3), чтобы выключить устройство.
- После того, как молочная пена будет готова, вовремя очистите молоко на поверхности парового сопла влажной тканью и распылите пар, чтобы молоко не высохло и не заблокировало вентиляционное отверстие.

#### Как приготовить капучино?

1. Приготовьте чашки большего объема, подходящие для капучино.
2. Приготовьте кофе в соответствии с пунктами 1-5, описанными в части: Как приготовить кофе эспрессо?
3. Подготовьте молочную пену в соответствии с пунктами 1-3, описанными в части: Функция вспенивания паром.
4. Затем встряхните кувшин на столе, чтобы молочная пена полностью смешалась, и налейте его в чашку с кофе.

#### Функция горячей воды

1. Нажать кнопку питания (3).
  2. Устройство начинает прогреваться, в это время световой индикатор (19) мигает синим цветом; Когда синий индикатор перестает мигать и включается непрерывный синий свет, прогрев завершается, это занимает около 2 минут.
  3. Поднимите чашку под паровым соплом (13).
  4. Поворачивайте ручку пара (10), пока сопло пара (13) не вытечет из горячей воды. Ручка должна превышать положение метки функции горячей воды (23).
  5. Нажмите:
    - кнопка Auto Single Cup (1), вы услышите звук ди-ди, затем она начнет вытекать горячей воды - около 150 мл - в вашу чашку. Вода перестает вытекать автоматически, вы услышите звук ди-ди-ди-ди-ди. Если вам необходимо остановить вытекание воды, немедленно нажмите кнопку Auto Single Cup (1) еще раз.
    - кнопка Auto Double Cup (2), вы услышите звук ди-ди, затем он начнет вытекать из вашей воды - около 250 мл - в вашу чашку. Вода перестает вытекать автоматически, вы услышите звук ди-ди-ди-ди-ди. Если вам необходимо остановить вытекание воды, немедленно нажмите кнопку Auto Double Cup (2) еще раз.
    - кнопка «Ручная чашка кофе» (4) для подачи горячей воды столько, сколько потребуется. Не оставляйте устройство без контроля.
- После того, как количество горячей воды достигнет желаемого уровня, снова нажмите кнопку ручной кофейной чашки (4), чтобы остановить поток горячей воды. Если вам необходимо остановить вытекание воды, немедленно нажмите кнопку ручной кофейной чашки (4) еще раз.
6. По завершении выключите ручку управления Steam (10), а затем нажмите кнопку питания (3).
  7. Горячую воду можно использовать для питья, чистки или подогрева чашек перед тем, как налить кофе.

#### Чистка и уход

1. Выключите кнопку питания (3), отсоедините ее и очистите устройство после полного охлаждения.
2. Всегда опорожняйте резервуар для воды (9) после использования. Время от времени очищайте резервуар для воды (9) влажной губкой или тканью.
3. Отсоедините фильтр (18) и удалите использованный кофе из фильтра. Если отверстия фильтра забиты кофе, используйте

щетку для очистки. Вы можете отвинтить кофейную воронку (20) и почистить кофейную гущу в корпусе фильтра (17).  
4. Чашки, емкость для воды (9), сетка для капель (6), съемный поддон (7), фильтр (15 + 16 + 17 + 18 + 20) можно мыть в воде с небольшим количеством мягкого моющего средства без абразивных веществ или растворителей. Внешние детали следует чистить мягкой тканью или губкой. Высокоабразивные чистящие средства или щетки могут вызвать царапины на поверхности.  
Примечание. Не используйте спирт или растворитель и не погружайте машину в воду для очистки.

#### декальцинация

Если приготовление кофе занимает больше времени, чем в начале использования, или паровая насадка (13) не производит пара, прибор следует декальцинировать. Если используется жесткая вода, прибор следует декальцинировать после его использования приблизительно 40 раз. Если используется мягкая вода, машина может быть декальцинирована после того, как использовалась приблизительно 80 раз. Жидкий декальцинатор эспрессо-машины можно использовать для удаления накипи. Перед декальцинацией убедитесь, что устройство отключено от источника питания.

- 1) Залейте примерно 250 мл теплой воды, а затем добавьте 250 мл средства для удаления накипи эспрессо-машины.
- 2) Поместите фильтр (15 + 16 + 17 + 18 + 20) в закрытое положение в устройство. Затем поместите чашку, наполовину заполненную холодной водой, под паровым соплом (13), а пустую чашку под воронкой фильтра (20).
- 3) Подключите устройство к источнику питания.
- 4) Нажмите кнопку питания (3).
- 5) Затем нажмите кнопку Auto Single Cup (1).
- 6) Когда декальцинатор начнет вытекать в пустую чашку, вставьте наконечник парового сопла (13) в чашку, наполненную холодной водой, и нажмите кнопку подачи пара (5).
- 7) Подождите несколько секунд и выключите устройство. После удаления накипи устройство необходимо трижды промыть чистой водой. Для этого повторите шаги с 1 по 7, наполняя емкость для воды (9) только чистой водой.

#### Поиск проблемы

Симптом: нет воды / нет пара

Причина 1: есть ли вода в баке для воды (9)?

Решение 1: Добавьте воду в бак (9).

Причина 2: в машину заранее не добавляется вода.

Решение 2. Способ добавления воды: нажмите кнопку ручной кофейной чашки (4), насос начнет закачивать воду в устройство, через несколько секунд нажмите кнопку ручной кофейной чашки (4).

Причина 3: машина не завершает предварительный нагрев.

Решение 3: Подождите. Машина может приготовить кофе после того, как прогрев завершен. Прогрев завершается, когда световой индикатор (19) меняется с мигающего синего на постоянный синий.

Симптом: нет пара

Причина 1: отверстие для пара заблокировано

Решение 1. Используйте маленькую проволоку, чтобы проткнуть маленькое отверстие в нижней части парового сопла (13), очистите его таким образом.

Решение 2. После того, как молочная пена закончится, выполните функцию горячей воды для очистки паровой трубки.

Симптом: плохая молочная пена

Причина 1: это цельное молоко?

Решение 1. Используйте цельное молоко.

Симптом: плохая молочная пена

Причина 1: кнопка пара (5) начинает пенить молочную пену до полного прогрева устройства.

Решение 1: Подождите. Запустите пар после того, как индикатор (19) изменит цвет с красного на постоянный красный.

#### ТЕХНИЧЕСКИЕ ДАННЫЕ:

Максимальная вместимость: 1,6 литра

Напряжение: 220-240 В ~ 50/60 Гц

Мощность: 850 Вт

Максимальная мощность: 1000 Вт

Давление: 15 Бар



Заботясь об окружающей среде. Упаковку из картона передайте, пожалуйста, на макулатуру. Полиэтиленовые мешки (PE) выкидать в резервуар для пластмассы. Изношенное устройство надо передать в соответствующую точку хранения, так как находящиеся в устройстве опасные составляющие могут являться угрозой для окружающей среды. Электрическое устройство надо передать таким образом, чтобы ограничить его повторное употребление и использование. Если в устройстве находятся батареи, их надо вынуть и передать в точку хранения отдельно. Устройство не выкидать в резервуар для коммунальных отходов!

ΓΕΝΙΚΟΙ ΟΡΟΙ ΑΣΦΑΛΕΙΑΣ ΣΗΜΑΝΤΙΚΕΣ ΟΔΗΓΙΕΣ ΑΣΦΑΛΕΙΑΣ. ΠΑΡΑΚΑΛΩ  
ΔΙΑΒΑΣΤΕ ΠΡΟΣΕΚΤΙΚΑ ΚΑΙ ΦΥΛΑΞΤΕ ΓΙΑ ΜΕΛΛΟΝ

1. Πριν χρησιμοποιήσετε τη συσκευή, διαβάστε το εγχειρίδιο λειτουργίας και ακολουθήστε τις οδηγίες που περιέχονται σε αυτήν.
2. Η συσκευή προορίζεται μόνο για οικιακή χρήση. Μην το χρησιμοποιείτε για άλλους σκοπούς που δεν προορίζονται για τον επιδιωκόμενο σκοπό.
3. Η συσκευή πρέπει να συνδέεται μόνο σε γειωμένη πρίζα 220-240 V ~ 50/60 Hz. Για να αυξηθεί η ασφάλεια λειτουργίας, πολλές ηλεκτρικές συσκευές δεν πρέπει να συνδέονται ταυτόχρονα σε ένα κύκλωμα ρεύματος.
4. Να είστε ιδιαίτερα προσεκτικοί όταν χρησιμοποιείτε τη συσκευή όταν τα παιδιά βρίσκονται κοντά.
5. ΠΡΟΕΙΔΟΠΟΙΗΣΗ: Αυτός ο εξοπλισμός μπορεί να χρησιμοποιηθεί από παιδιά άνω των 8 ετών και άτομα με μειωμένη σωματική, αισθητηριακή ή διανοητική ικανότητα ή άτομα που δεν έχουν εμπειρία ή γνώση του εξοπλισμού, εάν αυτό γίνεται υπό την επίβλεψη υπευθύνου ατόμου. για την ασφάλειά τους ή τους έχουν δοθεί πληροφορίες σχετικά με την ασφαλή χρήση της συσκευής και έχουν επίγνωση των κινδύνων από τη χρήση της. Τα παιδιά δεν πρέπει να παίζουν με τον εξοπλισμό. Ο καθαρισμός και η συντήρηση της συσκευής δεν πρέπει να πραγματοποιούνται από παιδιά, εκτός εάν είναι άνω των 8 ετών και αυτές οι δραστηριότητες πραγματοποιούνται υπό την επίβλεψη.
6. Βράστε το νερό στη δεξαμενή και ρίξτε το δύο φορές για να απαλλαγείτε από τη μυρωδιά πριν από την πρώτη χρήση.
7. Αφαιρέστε πάντα το βύσμα από την πρίζα μετά τη χρήση κρατώντας την πρίζα με το χέρι σας μετά τη χρήση.
8. Κατά την αφαίρεση του φινι από την πρίζα, μην τραβάτε ποτέ το καλώδιο τροφοδοσίας αλλά το φινι.
9. Μην εκθέτετε τη συσκευή σε ατμοσφαιρικές συνθήκες (βροχή, ήλιο κ.λπ.) και μην τη χρησιμοποιείτε σε συνθήκες υψηλής υγρασίας (μπάνια, υγρές τροχοβίλες).
10. Μην βυθίζετε το καλώδιο, το βύσμα και τη συσκευή σε νερό ή άλλο υγρό.
11. Ελέγχετε περιοδικά την κατάσταση του καλωδίου τροφοδοσίας. Εάν το καλώδιο ρεύματος είναι κατεστραμμένο, θα πρέπει να αντικατασταθεί από εξειδικευμένο συνεργείο επισκευής για να αποφευχθεί ο κίνδυνος.
12. Μην χρησιμοποιείτε τη συσκευή με κατεστραμμένο καλώδιο τροφοδοσίας ή εάν έχει πέσει ή καταστραφεί με οποιονδήποτε άλλο τρόπο ή εάν δεν λειτουργεί σωστά. Μην επισκευάζετε τη συσκευή μόνοι σας, καθώς υπάρχει κίνδυνος ηλεκτροπληξίας. Μεταφέρετε τη χαλασμένη συσκευή σε κατάλληλο κέντρο σέρβις για έλεγχο ή επισκευή. Όλες οι επισκευές επιτρέπονται μόνο από εξουσιοδοτημένα σημεία σέρβις. Οι επισκευές που δεν έχουν γίνει σωστά μπορούν να προκαλέσουν σοβαρό κίνδυνο για τον χρήστη.
13. Τοποθετήστε τη συσκευή σε μια δροσερή, σταθερή επιφάνεια, μακριά από θερμές συσκευές κουζίνας όπως: ηλεκτρική κουζίνα, καυστήρας αερίου κ.λπ.
14. Μην χρησιμοποιείτε τη συσκευή κοντά σε εύφλεκτα υλικά.

15. Το καλώδιο τροφοδοσίας ενδέχεται να μην κολλάει στην άκρη ενός τραπέζιου ή να αγγίζει τις ζεστές επιφάνειες. Ο κατασκευαστής δεν φέρει καμία ευθύνη για ζημιές που προκλήθηκαν από τη χρήση της συσκευής σε αντίθεση με τον προβλεπόμενο σκοπό ή την ακατάλληλη λειτουργία. Μην επιτρέπεται στα παιδιά να παίζουν με τη συσκευή, μην επιτρέπεται σε παιδιά ή άτομα που δεν είναι εξοικειωμένα με τη συσκευή να τη χρησιμοποιούν.

16. Μην αφήνετε τη συσκευή ενεργοποιημένη ή τον προσαρμογέα χωρίς επιτήρηση όταν δεν παρακολουθείτε.

17. Για την παροχή πρόσθετης προστασίας, συνιστάται η εγκατάσταση συσκευής υπολειπόμενου ρεύματος (RCD) στο ηλεκτρικό κύκλωμα με ονομαστικό ρεύμα υπολειπόμενου ρεύματος που δεν υπερβαίνει τα 30 mA. Ρωτήστε έναν ηλεκτρολόγο για αυτήν τη συμβουλή.

18. Μην χρησιμοποιείτε ποτέ τη συσκευή χωρίς νερό! Μπορεί να καταστραφεί.

19. Ποτέ μην κατευθύνετε ρεύμα ζεστού ατμού ή νερού προς το σώμα σας.

20. Μην χρησιμοποιείτε ποτέ τη συσκευή με ανθρακούχο νερό !!!

21. Μην αφήνετε ποτέ τη συσκευή σε θερμοκρασία κάτω των 0 βαθμών Κελσίου, καθώς μπορεί να την καταστρέψει.

22. Πάντα να αποσυνδέετε το μηχάνημα προτού γεμίσετε το δοχείο με νερό.

23. Καθαρίζετε τακτικά και ελέγχετε το μηχάνημα για να εξασφαλίσετε την ποιότητα του καφέ που λαμβάνετε και για να παρατείνετε τη διάρκεια ζωής του μηχανήματος.

24. Αποσυνδέετε πάντα την πηγή τροφοδοσίας πριν από τον καθαρισμό και αφήστε όλα τα ζεστά μέρη να κρυώσουν. Η συσκευή πρέπει να καθαρίζεται με ένα ήπιο μη λειαντικό απορρυπαντικό. Μην χρησιμοποιείτε ποτέ διαλυτή καθαρισμού, καθώς αυτό μπορεί να προκαλέσει ζημιά στο στρώμα βαφής.

25. Για αφαλάτωση του μηχανήματος, χρησιμοποιήστε ένα υγρό αφαλατικό που έχει σχεδιαστεί για καφετιέρες υπό πίεση.

26. Κατά τη χρήση, μην αγγίζετε ποτέ το περίβλημα του φίλτρου ή το ακροφύσιο αφρού γάλακτος, καθώς υπάρχει κίνδυνος εγκαυμάτων.

27. Χρησιμοποιήστε μόνο γνήσια αξεσουάρ.

28. Μην μετακινείτε ή μετακινείτε τη συσκευή κατά τη λειτουργία.

Αυτό το μηχάνημα διαθέτει κλασικές λειτουργίες ιταλικού συμπυκνωμένου εσπρέσο και καπουτσίνο. Πλούσιο άρωμα και αφρός καφέ, εύκολο στη χρήση και ασφαλές, εύκολο στον καθαρισμό.

#### ΠΕΡΙΓΡΑΦΗ ΠΡΟΪΟΝΤΟΣ: ΜΗΧΑΝΗ ΚΑΦΕ Cr4410

- |   |   |
|---|---|
| 1. Auto Single Cup - κουμπί για αυτόματη προετοιμασία 1 φλιτζανιού καφέ |   |
| 2. Auto Double Cup - κουμπί για αυτόματη προετοιμασία 2 φλιτζανιών καφέ |   |
| 3. Κουμπί λειτουργίας   | 4. Κουμπί χειροκίνητου φλιτζανιού καφέ          |
| 5. Κουμπί ατμού   | 6. Πλέγμα στάγδην                               |
| 7. Αφαιρούμενος δίσκος στάγδην  | 8. Καπάκι δεξαμενής νερού                       |
| 9. Δεξαμενή νερού 1600ml  | 10. Κουμπί ατμού                                |
| 11. Κύριο περίβλημα   | 12. Λαβή με ακροφύσιο ατμού                     |
| 13. Ακροφύσιο ατμού   | 14. Κουτάλι μέτρησης                            |
| 15. Λαβή φίλτρου  | 16. Κλιπ συγκράτησης φίλτρου                    |
| 17. Περίβλημα φίλτρου   | 18. Φιλτράρατε για αλεσμένο καφέ για 1 φλιτζάνι |
| 19. Ένδειξη φωτός   | 20. Χωνί  |
| 21. Σήμα ξεκλειδώματος  | 22. Σήμα κλειδώματος                            |



**Οδηγία λειτουργίας**

Πριν τη χρήση για πρώτη φορά

Αφού αποσυσκευάσετε τη συσκευή, ελέγξτε με όλα τα διαθέσιμα κουμπιά και το κουμπί ατμού (10) απενεργοποιήθηκε στη θέση "OFF".

Πριν από την εφαρμογή σκουπίστε τη συσκευή (βλ. Καθαρισμός και συντήρηση).

1. Συνδέστε τη δεξαμενή νερού (9), ρίξτε νερό στη δεξαμενή νερού (9), η στάθμη του νερού δεν πρέπει να υπερβαίνει το σημάδι "MAX".

Συνιστάται η χρήση φιλτραρισμένου νερού. Αυτό αποτρέπει τη συσσώρευση ασβέστη και βελτιώνει τη γεύση του παρασκευασμένου καφέ. Μην χρησιμοποιείτε σόδα.

2. Εκτελέστε δύο φορές ζεστό νερό (παρακάτω οδηγίες) για να αφαιρέσετε την εργοστασιακή μυρωδιά πριν από την πρώτη χρήση.

3. Συνδέστε και πατήστε το κουμπί λειτουργίας (3). Προς το παρόν, η φωτεινή ένδειξη (19) αναβοσβήνει μπλε. Πατήστε το κουμπί χειροκίνητου φλιτζανιού καφέ (4) για να λειτουργήσετε την αντλία, αντλώντας νερό από τη δεξαμενή νερού στη συσκευή για θέρμανση.

4. Η συσκευή αρχίζει να προθερμαίνεται, αυτή τη στιγμή, η φωτεινή ένδειξη (19) αναβοσβήνει μπλε. Όταν το μπλε φως σταματά να αναβοσβήνει και ανάβει συνεχώς μπλε φωτισμό, η προθέρμανση ολοκληρώνεται, διαρκεί περίπου 2 λεπτά.

5. Πατήστε το κουμπί Auto Single Cup (1) για να αφήσετε το ζεστό νερό να ξεπλύνει το φίλτρο καφέ (18).

6. Επαναλάβετε τα βήματα 3, 4, 5 παραπάνω.

7. Αδειάστε τη συμπύκνωση από νερό και καφέ από τον αφαιρούμενο δίσκο στάγδην (7).

Πώς να φτιάξετε καφέ espresso;

Συνδέστε τη συσκευή στο τροφοδοτικό και πατήστε το κουμπί τροφοδοσίας (3). Αυτή τη στιγμή η ενδεικτική λυχνία (19) αναβοσβήνει μπλε, περιμένετε μέχρι να σταματήσει να αναβοσβήνει, τότε η συσκευή θα τελειώσει τη θέρμανση και θα είναι έτοιμη για χρήση.

1. Ενώ η συσκευή προθερμαίνεται, μπορείτε να βάλετε τη σκόνη αλεσμένου καφέ (θα πρέπει να χρησιμοποιήσετε την λεπτή σκόνη, όχι πολύ παχιά ή πολύ λεπτή) στο φίλτρο αλεσμένου καφέ (18). Για ένα φλιτζάνι espresso χρησιμοποιήστε ένα κουτάλι μέτρησης (14) του αγαπημένου σας αλεσμένου καφέ. Για δύο φλιτζάνια espresso χρησιμοποιήστε 1,5 κουτάλι μέτρησης (14) του αγαπημένου σας αλεσμένου καφέ. Στη συνέχεια, χρησιμοποιήστε τη λαβή του κουταλιού μέτρησης (14) για να την πιέσετε σφικτά. Ταυτόχρονα σκουπίστε τη σκόνη καφέ στην άκρη του φίλτρου (18). Μπορείτε επίσης να χρησιμοποιήσετε το φίλτρο (24) κατάλληλο για χωρητικότητα αλεσμένου καφέ 2 φλιτζανιών.

2. Εισαγάγετε το αλεσμένο φίλτρο γεμάτο καφέ (18) στο περίβλημα του φίλτρου (17), φυλάξτε το με τη λαβή φίλτρου (15). Τοποθετήστε το φίλτρο με αλεσμένο καφέ κάτω από το σημάδι κλειδώματος (21) και, στη συνέχεια, μετακινήστε το στη δεξιά πλευρά για να το κλειδώσετε, ακριβώς κάτω από το σημάδι κλειδώματος (22) και, στη συνέχεια, τοποθετήστε το φλιτζάνι καφέ (ή 2 φλιτζάνια) κάτω από τη χοάνη (20).

3. Ρυθμίστε τη θέση του φλιτζανιού καφέ (ή 2 φλιτζάνια ταυτόχρονα), αφήστε τον καφέ να ρέει κατά μήκος του τοίχου του φλιτζανιού.

4. Πατήστε:

- το κουμπί Auto Single Cup (1), θα ακούσετε ήχο di-di και στη συνέχεια αρχίζει να ρέει έναν καφέ στο φλιτζάνι σας. Ο καφές σταματάει να ρέει αυτόματα, θα ακούσετε ήχο di-di-di-di-di. Ο ενιαίος καφές έχει χωρητικότητα περίπου 100 ml.

- το κουμπί Auto Double Cup (2), θα ακούσετε ήχο di-di και στη συνέχεια αρχίζει να ρέει τον καφέ σε 2 φλιτζάνια ταυτόχρονα. Ο καφές σταματάει να ρέει αυτόματα, θα ακούσετε ήχο di-di-di-di-di.

- το κουμπί χειροκίνητου φλιτζανιού καφέ (4) για να ρέει τον καφέ όσο θέλετε. Αφού η ποσότητα του καφέ θα είναι το επιθυμητό επίπεδο, πατήστε ξανά το κουμπί Χειροκίνητο φλιτζάνι καφέ (4) για να σταματήσει να εξέρχεται από τον καφέ. Μην αφήνετε τη συσκευή χωρίς επίβλεψη, μπορεί να ξεχειλίζει καφέ.

5. Περιμένετε ένα λεπτό για να στάξει ο καφές και ο καφές είναι έτοιμος.

**Λειτουργία αφρισμού ατμού**

1. Πατήστε το κουμπί ατμού (5), η ενδεικτική λυχνία (19) θα γίνει κόκκινη και θα αναβοσβήνει, όταν η κόκκινη λυχνία αλλάξει από αναβοσβήνει σε συνεχές κόκκινο φως, η προθέρμανση ολοκληρώνεται.

2. Η ποσότητα ατμού μπορεί να ρυθμιστεί ανάλογα με την ικανότητα του ατόμου. Πριν αφρώσετε τον αφέρο γάλακτος, πρέπει να απελευθερώσετε το νερό στο ακροφύσιο ατμού (13). Συνιστάται να ρίξετε το γάλα στο ύψος 1/3 της στάμνας, να εισάγετε το ακροφύσιο ατμού (13) στο γάλα σε βάθος 1 εκατοστό και, στη συνέχεια, ξεβιδώστε αργά το κουμπί ατμού (10) έως ότου αρχίσει να εκτοξεύεται ατμός. Μπορείτε να ταλαντεύετε λίγο τη στάμνα, αλλά μην έρθετε σε επαφή με το κάτω μέρος της στάμνας με το ακροφύσιο ατμού (13).

3. Όταν η θερμοκρασία του γάλακτος φτάσει τους 75 βαθμούς Κελσίου και ο αφρός γάλακτος αρχίσει να διογκώνεται, γυρίστε το κουμπί ατμού (10) στη θέση "OFF", απενεργοποιήστε το κουμπί ατμού (5) για να κάνετε τη φωτεινή ένδειξη (19) γίνεται μπλε, πατήστε απευθείας το κουμπί λειτουργίας (3) για να απενεργοποιήσετε τη συσκευή.

Αφού ολοκληρωθεί ο αφρός γάλακτος, καθарίστε το γάλα στην επιφάνεια του ακροφυσίου ατμού με ένα υγρό πανί εγκαίρως και ψεκάστε τον ατμό για να αποφύγετε το στέγνωμα του γάλακτος και το φράξιμο του εξαρτισμού.

Πώς να φτιάξετε καφέ καπουτσίνο;

1. Προετοιμάστε κύπελλα μεγαλύτερου όγκου κατάλληλα για καφέ καπουτσίνο.

2. Προετοιμάστε καφέ σύμφωνα με τα σημεία 1-5 που περιγράφονται στο μέρος: Πώς να φτιάξετε καφέ espresso;

3. Προετοιμάστε τον αφέρο γάλακτος σύμφωνα με τα σημεία 1-3 που περιγράφονται στο μέρος: Λειτουργία αφρισμού ατμού.

4. Στη συνέχεια ανακινήστε τη στάμνα στο τραπέζι έτσι ώστε ο αφρός γάλακτος να αναμειχθεί πλήρως και να το ρίξετε στο φλιτζάνι με καφέ.



## Λειτουργία ζεστού νερού

1. Πατώντας το κουμπί λειτουργίας (3).
2. Η συσκευή αρχίζει να προθερμαίνεται, αυτή τη στιγμή, η φωτεινή ένδειξη (19) αναβοσβήνει μπλε. Όταν το μπλε φως σταματά να αναβοσβήνει και ανάβει συνεχώς μπλε φωτισμό, η προθέρμανση ολοκληρώνεται, διαρκεί περίπου 2 λεπτά.
3. Σηκώστε το κύπελλο κάτω από το ακροφύσιο ατμού (13).
4. Γυρίστε το κουμπί ατμού (10) έως ότου το ακροφύσιο ατμού (13) ρέει έξω από ζεστό νερό. Το κουμπί πρέπει να υπερβαίνει τη θέση του σημείου λειτουργίας ζεστού νερού (23).
5. Πατήστε:
  - το κουμπί Auto Single Cup (1), θα ακούσετε ήχο di-di και στη συνέχεια αρχίζει να ρέει ζεστό νερό - περίπου 150 ml - στο φλιτζάνι σας. Το νερό σταματά να ρέει αυτόματα, θα ακούσετε ήχο di-di-di-di-di. Εάν πρέπει να σταματήσετε τη ροή του νερού, πατήστε αμέσως το κουμπί Auto Single Cup (1) ξανά.
  - το κουμπί Auto Double Cup (2), θα ακούσετε ήχο di-di και στη συνέχεια αρχίζει να ρέει έξω από το νερό - περίπου 250 ml - στο φλιτζάνι σας. Το νερό σταματά να ρέει αυτόματα, θα ακούσετε ήχο di-di-di-di-di. Εάν πρέπει να σταματήσετε τη ροή του νερού, πατήστε αμέσως το κουμπί Auto Double Cup (2) ξανά.
  - το κουμπί χειροκίνητου φλιτζανιού καφέ (4) για να ρέει ζεστό νερό όσο χρειάζεται. Μην αφήνετε τη συσκευή χωρίς έλεγχο. Αφού η ποσότητα ζεστού νερού θα είναι το επιθυμητό επίπεδο, πατήστε ξανά το κουμπί χειροκίνητου φλιτζανιού καφέ (4) για να σταματήσετε τη ροή από ζεστό νερό. Αν πρέπει να σταματήσετε τη ροή του νερού, πατήστε ξανά το κουμπί χειροκίνητου φλιτζανιού καφέ (4).
6. Όταν τελειώσετε, απενεργοποιήστε το κουμπί Steam (10) και, στη συνέχεια, πατήστε το κουμπί λειτουργίας (3).
7. Το ζεστό νερό μπορεί να χρησιμοποιηθεί για πόσιμο, καθαρισμό ή θέρμανση φλιτζανιών πριν ρίξετε τον καφέ σας.

## Καθαρισμός και συντήρηση

1. Απενεργοποιήστε το κουμπί λειτουργίας (3), αποσυνδέστε το και καθαρίστε τη συσκευή μετά την πλήρη ψύξη.
  2. Αδειάζετε πάντα τη δεξαμενή νερού (9) μετά τη χρήση. Κατά καιρούς, καθαρίζετε τη δεξαμενή νερού (9) με ένα υγρό σφουγγάρι ή πανί.
  3. Αποσυνδέστε το φίλτρο (18) και αφαιρέστε τον χρησιμοποιημένο καφέ από το φίλτρο. Εάν οι τρύπες φίλτρου είναι φραγμένες με καφέ, χρησιμοποιήστε μια βούρτσα για να την καθαρίσετε. Μπορείτε να ξεβιδώσετε τη χοάνη του καφέ (20) και να καθαρίσετε τις βάσεις του καφέ στο περιβλήμα του φίλτρου (17).
  4. Τα κύπελλα, το δοχείο νερού (9), το πλέγμα στάγδην (6), ο αφαιρούμενος δίσκος στάγδην (7), το φίλτρο (15 + 16 + 17 + 18 + 20) μπορούν να πλυθούν σε νερό με κάποιο ήπιο απορρυπαντικό χωρίς λιπαντικές ουσίες ή διαλύτες. Τα εξωτερικά μέρη πρέπει να καθαρίζονται με ένα μαλακό πανί ή σφουγγάρι. Πολύ λιπαντικά καθαριστικά ή βούρτσες μπορεί να προκαλέσουν γρατσουνιές στην επιφάνεια.
- Σημείωση: Μην χρησιμοποιείτε αλκοόλ ή καθαριστικό διαλύτη και μην βυθίζετε το μηχάνημα σε νερό για καθαρισμό.

## ΑΠΟΚΛΕΙΣΜΟΣ

Εάν η παρασκευή καφέ απαιτεί περισσότερο χρόνο από ό, τι στην αρχή της χρήσης ή το ακροφύσιο ατμού (13) δεν παράγει ατμό, η συσκευή πρέπει να αφαλατωθεί. Εάν χρησιμοποιείται σκληρό νερό, η συσκευή θα πρέπει να αφαλατωθεί αφού χρησιμοποιηθεί περίπου 40 φορές. Εάν χρησιμοποιείται μαλακό νερό, το μηχάνημα μπορεί να αφαλατωθεί μετά τη χρήση του περίπου 80 φορές. Για την αφάλατωση της συσκευής μπορεί να χρησιμοποιηθεί υγρός αφάλατωτής μηχανή Espresso. Πριν από την αφάλατωση, βεβαιωθείτε ότι η συσκευή είναι αποσυνδεδεμένη από το τροφοδοτικό.

- 1) Ρίχνουμε περίπου 250 ml χλιαρό νερό και μετά προσθέτουμε 250 ml υγρού αφάλατωτήρα μηχανής espresso.
- 2) Τοποθετήστε το φίλτρο (15 + 16 + 17 + 18 + 20) σε κλειδωμένη θέση στη συσκευή. Στη συνέχεια, τοποθετήστε ένα φλιτζάνι μισό γεμισμένο με κρύο νερό κάτω από το ακροφύσιο ατμού (13) και ένα άδειο κύπελλο κάτω από τη χοάνη φίλτρου (20).
- 3) Συνδέστε τη συσκευή στο τροφοδοτικό.
- 4) Πατήστε το κουμπί λειτουργίας (3).
- 5) Στη συνέχεια, πατήστε το κουμπί Auto Single Cup (1).
- 6) Όταν ο αφάλατωτής αρχίζει να ρέει προς τα κάτω σε ένα άδειο κύπελλο, εισάγετε την άκρη του ακροφυσίου ατμού (13) σε ένα κύπελλο γεμάτο με κρύο νερό και πατήστε το κουμπί ατμού (5).
- 7) Περιμένετε λίγα δευτερόλεπτα και απενεργοποιήστε τη συσκευή. Μετά την αφάλατωση, η συσκευή πρέπει να ξεπλυθεί τρεις φορές με καθαρό νερό. Για να το κάνετε αυτό, επαναλάβετε τα βήματα 1 έως 7 γεμίζοντας τη δεξαμενή νερού (9) μόνο με καθαρό νερό.

## Αντιμέτωπιση προβλημάτων

Σύμπτωμα: Χωρίς νερό / χωρίς ατμό

Λόγος 1: Εάν η δεξαμενή νερού (9) έχει νερό μέσα / είναι στη θέση της;

Λύση 1: Προσθέστε νερό στη δεξαμενή (9).

Λόγος 2: Δεν προστίθεται νερό εκ των προτέρων στο μηχάνημα.

Λύση 2: Μέθοδος προσθήκης νερού: πατήστε το κουμπί χειροκίνητου φλιτζανιού καφέ (4), η αντλία αρχίζει να αντλεί νερό στη συσκευή, πατήστε το κουμπί χειροκίνητου φλιτζανιού καφέ (4) μετά από λίγα δευτερόλεπτα.

Λόγος 3: Το μηχάνημα δεν ολοκληρώνει την προθέρμανση.

Λύση 3: Περιμένετε. Το μηχάνημα μπορεί να φτιάξει καφέ μετά την ολοκλήρωση της προθέρμανσης. Η προθέρμανση ολοκληρώνεται όταν η ενδεικτική λυχνία (19) αλλάζει από το μπλε που αναβοσβήνει σε πάντα μπλε.

Σύμπτωμα: Χωρίς ατμό

Λόγος 1: Η τρύπα ατμού αποκλείστηκε

Λύση 1: Χρησιμοποιήστε ένα μικρό καλύδιο για να σπρώξετε τη μικρή τρύπα στο κάτω μέρος του ακροφυσίου ατμού (13), καθαρίστε το με αυτόν τον τρόπο.

Λύση 2. Αφού τελειώσει ο αφρός γάλακτος, κάντε μια λειτουργία ζεστού νερού για να καθαρίσετε το σωλήνα ατμού.

Σύμπτωμα: Κακός αφρός γάλακτος

Λόγος 1: Είναι πλήρες γάλα;

Λύση 1: Χρησιμοποιήστε πλήρες γάλα.

Σύμπτωμα: Κακός αφρός γάλακτος

Λόγος 1: Το κουμπί ατμού (5) αρχίζει να αφρίζει γάλα αφρού προτού ζεσταθεί εντελώς η συσκευή.

Λύση 1: Περιμένετε. Ξεκινήστε τον ατμό αφού η φωτεινή ένδειξη (19) αλλάξει χρώμα από κόκκινο που αναβοσβήνει σε συνεχές κόκκινο.

#### ΤΕΧΝΙΚΑ ΔΕΔΟΜΕΝΑ:

Μέγιστη χωρητικότητα: 1,6 λίτρα

Τάση: 220-240V ~ 50 / 60Hz

Ισχύς: 850W

Μέγιστη ισχύς: 1000W

Πίεση: 15 μπάρες



φροντίζουμε το φυσικό περιβάλλον. Παρακαλούμε να πετάτε τις συσκευασίες από χαρτόνι στον κάδο ανακύκλωσης απορριμμάτων χαρτιού. Τις σακούλες από πολυαιθυλένιο (PE), απορρίψτε τις στον κάδο ανακύκλωσης πλαστικών. Η φθαρμένη συσκευή πρέπει να απορρίπτεται στο κατάλληλο σημείο, εξαιτίας των επικίνδυνων στοιχείων που περιέχει και τα οποία μπορεί να αποτελέσουν απειλή για το περιβάλλον. Η ηλεκτρική συσκευή πρέπει να απορρίπτεται με τέτοιο τρόπο ώστε να προοριστεί η επαναχρησιμοποίησή της. Εάν στη συσκευή βρίσκονται μπαταρίες, αυτές πρέπει να αφαιρεθούν και να πεταχτούν σε ξεχωριστό κάδο.

(MK) Македонски

## ОПШТИ УСЛОВИ ЗА БЕЗБЕДНОС ВАНИ УСЛУГИ ЗА БЕЗБЕДНОСТ. ВЕ МОЛИМЕ ПРОЧИТАЈТЕ ВНИМАНИЕ И ЗАШТИТЕТЕ ЗА ИДНИНА

1. Пред да го користите уредот, прочитајте го упатството за работа и следете ги упатствата содржани во него.
2. Уредот е само за домашна употреба. Не користете за други цели што не се за наменетата цел.
3. Уредот треба да се поврзе само со заземјен штекер од 220-240 V ~ 50/60 Hz. За да се зголеми безбедноста во работењето, повеќе електрични уреди не треба да бидат поврзани со едно струјно коло во исто време.
4. Користете голема претпазливост кога го користите уредот кога децата се во близина.
5. ПРЕДУПРЕДУВАЕ: Оваа опрема може да ја користат деца над 8 години и лица со намалена физичка, сензорна или ментална способност, или луѓе кои немаат искуство или познавање на опремата, доколку тоа е направено под надзор на одговорно лице за нивната безбедност или им е дадена информација за безбедно користење на уредот и се свесни за опасностите од неговото користење. Децата не треба да си играат со опрема. Чистењето и одржувањето на уредот не треба да го вршат деца, освен ако не се над 8 години и овие активности се вршат под надзор.
6. Врие вода во резервоарот и истурете ја двапати за да се ослободите од мирисот пред првата употреба.
7. Секогаш отстранувајте го приклучокот од штекерот по напојувањето со држење на штекерот со раката после употреба.
8. Кога го вадите приклучокот од штекерот, никогаш не влевајте го кабелот за напојување, туку приклучокот.

9. Не го изложувајте го уредот на атмосферски услови (дожд, сонце, итн.) Или користете го уредот на висока влажност (бањи, влажни домови за мобилни телефони).
10. Не потовајте го кабелот, приклучокот и уредот во вода или друга течност.
11. Периодично проверувајте ја состојбата на кабелот за напојување. Ако кабелот за напојување е оштетен, тој треба да се замени со специјализирана продавница за поправка за да се избегне опасност.
12. Не користете го уредот со оштетен кабел за напојување или ако е испуштен или оштетен на кој било друг начин или ако не работи правилно. Не поправајте го уредот сами, бидејќи постои опасност од електричен удар. Понесете го оштетениот уред во соодветен сервисен центар за проверка или поправка. Сите поправки може да ги извршуваат само овластени сервисни точки. Неправилно извршените поправки можат да предизвикаат сериозна опасност за корисникот.
13. Поставете го уредот на ладна, стабилна површина, подалеку од топли кујнски уреди како што се: електричен шпорет, горилник за гас, итн.
14. Не користете го уредот близу до запаливи материјали.
15. Кабелот за напојување може да не виси над работ на табела или да допира до топли површини. Производителот не одговара за штети предизвикани од користење на уредот спротивно на наменетата намена или неправилно работење. Не дозволувајте децата да си играат со уредот, не дозволувајте деца или луѓе кои не се запознати со уредот да го користат.
16. Не оставајте го уредот да е вклучен или адаптерот да биде без надзор кога е без надзор.
17. За да се обезбеди дополнителна заштита, препорачливо е да се инсталира уред за преостаната струја (RCD) во електричното коло со номинална преостаната струја што не надминува 30 mA. Побарајте електричар за овој совет.
18. Никогаш не користете го уредот без вода! Може да биде оштетена.
19. Никогаш не насочувајте поток на топла пареа или вода кон вашето тело.
20. Никогаш не користете го уредот со пенлива вода !!!
21. Никогаш не оставајте го уредот на температура под 0 Целзиусови степени, бидејќи може да го оштети.
22. Секогаш исклучувајте ја машината пред да го наполните резервоарот со вода.
23. Редовно чистете ја и проверете ја машината за да се обезбеди квалитетно добиено кафе и да го продолжи работниот век на машината.
24. Секогаш исклучувајте го изворот на напојување пред чистење и оставете ги сите жешки делови да се оладат. Уредот треба да се исчисти со благ неабразивен детергент. Никогаш не користете растворувач за чистење бидејќи тоа може да го оштети слојот на бојата.
25. За спуштање на машината, користете течен аспиратор дизајниран за производители на кафе под притисок.
26. За време на употребата, никогаш не допирајте го капакот на филтерот или млазницата за белење на млеко, бидејќи постои опасност од изгореници.
27. Користете само оригинални додатоци.

## 28. Не движете го или движете го уредот за време на работата.

Оваа машина има класични функции на италијанско концентрирано еспресо и капучино кафе. Богата арома на кафе и пена, лесна за ракување и безбедна, лесна за чистење.

### ОПИС НА ПРОИЗВОДОТ: МАШИНА ЗА КАФЕ CR4410

1. Автоматски единечен куп - копче за автоматска подготовка на 1 шолја кафе
2. Auto Double Cup - копче за автоматска подготовка на 2 шолји кафе
3. Копче за напојување
4. Рачно копче за кафе
5. Копче за пареа
6. решетка за капење
7. Отстранлив сад за капење
8. Капак на резервоарот за вода
9. Резервоар за вода 1600ml
10. Копче за пареа
11. Главно куќиште
12. Рачка на млазницата на пареа
13. Млазница на пареа
14. мерка лажича
15. Рачка на филтерот
16. Клип за задржување на филтерот
17. Куќиште за филтрирање
18. Филтер за мелено кафе за 1 чаша
19. Индикатор на светлина
20. Инка
21. Отклучи ја ознаката
22. Забелешка за заклучување
23. Ознака за функција на топла вода
24. Филтер за мелено кафе за 2 чаши

### Упатство за работа

#### Пред употреба за прв пат

По распакување на уредот, проверете дали се сите копчиња на располагање и копчето за пареа (10) е исклучено во положбата "OFF". Пред да нанесете, избришете го уредот (видете Чистење и одржување).

1. Извадете го резервоарот за вода (9), истурете вода во резервоарот за вода (9), нивото на водата не треба да надминува ознаката "MAX". Се препорачува да се користи филтрирана вода. Ова спречува создавање вар и го подобрува вкусот на подготвеното кафе.

Не користете сода вода.

2. Ставете ја топла вода двапати (упатства додолу) за да го отстраните фабриката нов мирис пред првата употреба.

3. Вклучете го и притиснете го копчето за вклучување (3). Во тоа време, индикаторот за светло (19) светка сино. Притиснете го копчето Manual Cafe Cup (4) за работа на пумпата, испумпувајќи вода од резервоарот за вода до уредот за греење.

4. Уредот започнува да се загрева, во ова време, индикаторот за светло (19) трепка сино; кога синото светло престанува да трепка и се вклучува постојано сино осветлување, загревањето е завршено, трае околу 2 минути.

5. Притиснете го копчето Auto Single Cup (1) за да испуштите топла вода да го измие филтерот за кафе (18).

6. Повторете ги чекорите 3, 4, 5 погоре.

7. Празна кондензација од вода и кафе од отстранливиот сад за капе (7).

Како да направите кафе од еспресо?

Поврзете го уредот со напојувањето и притиснете го копчето за напојување (3). Во овој момент индикаторското светло (19) светка сино, почекајте додека не престане да трепка, тогаш уредот ќе заврши со загревањето и ќе биде подготвен за употреба.

1. Додека уредот се загрева, можете да го ставите меленото кафе во прав (треба да го користите ситниот прав, не премногу густ или премногу тенок) во филтерот за кафе на мелено кафе (18). За една шолја со еспресо користете една лажича за мерење (14) од омиленото мелено кафе. За две еспресо чаша користете 1,5 лажича за мерење (14) од омиленото мелено кафе. Потоа користете ја рачката за мерење лажича (14) за да ја притиснете цврсто; истовремено избришете го кафето во прав на работ на филтерот (18). Можете да го користите филтерот (24) погоден и за 2 шолји мелено кафе.

2. Вметнете го филтерот исполнет со кафе (18) на копното (18) во капакот на филтерот (17), чувајте го со рачката на филтерот (15).

Ставете го филтерот со мелено кафе под ознаката за отклучување (21), а потоа поместете ја на десната страна за да го заклучите, веднаш под ознаката за заклучување (22), а потоа ставете ја чашата за кафе (или 2 чаши) под инката (20).

3. Наместете ја положбата на чашата за кафе (или 2 чаши во исто време), оставете кафето да тече по wallидот на чашата.

4. Притиснете:

- копчето Auto Single Cup (1), ќе го слушнете звукот на ди-ди, тогаш ќе почне да тече кафе во вашата чаша. Капките за кафе испуштаат автоматски, ќе чуете звук ди-ди-ди-ди-ди. Едно кафе е со капацитет од околу 100 мл.

- копчето Auto Double Cup (2), ќе го слушнете звукот на ди-ди, потоа ќе започне да го испушта кафето до 2 чаши истовремено. Капките за кафе испуштаат автоматски, ќе чуете звук ди-ди-ди-ди-ди.

- копчето Manual Cafe Cup (4) за да тече кафе онолку колку што сакате. Откако количината на кафе ќе биде посакувано ниво, повторно притиснете го копчето Manual Cafe Cup (4) за да престанете да испуштате кафе. Не оставајте го апаратот без надзор, може да прелее кафе.

5. Почекајте една минута за капењето кафе и кафето е подготвено.

### Функција за пенење на пареа

1. Притиснете го копчето Steam (5), индикаторот за светло (19) ќе се претвори во црвено и ќе светне, кога црвената светлина се менува од трепкање кон постојано црвено светло, загревањето е завршено.

2. Количината на пареа може да се прилагоди според владеењето на поединецот. Пред да ја измазнете млечната пена, треба да ја ослободите водата во млазницата на пареата (13). Се препорачува да се прелива млекото во висината на 1/3 од стомна, да се

вметне млазницата на пареата (13) во млекото на длабочина од 1 см, а потоа полека одвртете го копчето за пареа (10) додека не почне да се вади пареата. Можете малку да го замачкате стомна, но не допирајте го долниот дел на стомна со млазницата на пареата (13).

3. Кога температурата на млекото достигне околу 75 степени Целзиусови и млечната пена започнува да се шири, свртете го копчето за пареа (10) во позиција „ИСКЛУЧНА“, исклучете го копчето за пареа (5) за да се направи индикаторот на светлината (19) се претвора во сина боја, притиснете го копчето за напојување (3) директно за да го исклучите уредот.

Откако ќе заврши млечната пена, исчистете го млекото во млекото на површината на пареата со влажна крпа на време и испрскајте ја пареата за да спречите да се исуши млекото и да го блокирате отворот.

Како да се направи капучино кафе?

1. Подгответе чаши со поголем волумен погодни за капучино кафе.
2. Подгответе кафе според точките 1-5 опишани во дел: Како да направите кафе од еспресо?
3. Подгответе ја млечната пена според точките 1-3 опишани делумно: Функција за пенење на пареа.
4. Потоа протресете го стомна на масата, така што млечната пена е целосно измешана и истурете ја во чашата со кафе.

Функција на топла вода

1. Притиснете го копчето за вклучување (3).
2. Уредот започнува да се загрева, во ова време, индикаторот за светло (19) трепка сино; кога синото светло престанува да трепка и се вклучува постојано сино осветлување, загревањето е завршено, трае околу 2 минути.
3. Застанете ја чашата под млазницата на пареата (13).
4. Свртете го копчето за пареа (10) додека млазницата на пареата (13) не истекува топла вода. Копчето треба да ја надмине позицијата на ознаката за функција на топла вода (23).
5. Притиснете:
  - копчето Auto Single Cup (1), ќе го слушнете звукот ди-ди, тогаш ќе почне да тече топла вода - околу 150мл - до вашата чаша. Водата престанува да тече автоматски, ќе слушнете звук di-di-di-di. Ако треба да престанете да тече вода, веднаш притиснете го копчето Auto Single Cup (1) повторно.
  - копчето Auto Double Cup (2), ќе слушнете звук di-di, а потоа тој започнува да ја испушта водата - околу 250 ml - до вашата чаша. Водата престанува да тече автоматски, ќе слушнете звук di-di-di-di. Ако треба да престанете да излегувате на вода, веднаш притиснете го копчето Auto Double Cup (2).
  - копчето Manual Cafe Cup (4) за да испушти топла вода онолку колку што е потребно. Не оставајте го уредот без контрола. Откако количината на топла вода ќе ви биде посакувано, притиснете го копчето Manual Cafe Cup (4) повторно за да престанете да протекувате од топла вода. Ако треба да престанете да излегувате вода, веднаш притиснете го копчето Manual Cafe Cup (4).
6. Кога ќе завршите, исклучете го копчето Steam (10) и потоа исклучете го копчето за вклучување (3).
7. Топлата вода може да се користи за пиење, чистење или загревање чаши пред да го истурите кафето.

Чистење и одржување

1. Исклучете го копчето за напојување (3), исклучете го и исчистете го уредот по целосно ладење.
2. После употребата, секогаш испразнете го резервоарот за вода (9). Од време на време, исчистете го резервоарот за вода (9) со влажен сунѓер или крпа.
3. Отстранете го филтерот (18) и извадете го искористеното кафе од филтерот. Ако дупките на филтерот се запушени со кафе, користете четка за чистење. Можете да ја одвртите инката за кафе (20) и да ја исчистите кафеата во капакот на филтерот (17).
4. Чашите, резервоарот за вода (9), капената мрежа (6), отстранливата лента за капење (7), филтерот (15 + 16 + 17 + 18 + 20) може да се мијат во вода со малку благ детергент без абразивни материји или растворувачи. Надворешните делови треба да се чистат со мека крпа или сунѓер. Високо абразивните средства за чистење или четки можат да предизвикаат гребнатини во површината. Белешка: Не користете алкохол или растворувач за растворувачи и не ја потопувајте машината во вода за да се исчисти.

ДЕКАЛЦИФИКАЦИЈА

Ако подготовката на кафе трае подолго време отколку во почетокот на употреба или млазницата на пареата (13) не произведува пареа, уредот треба да се декласифицира. Ако се користи тврда вода, уредот треба да се декласифицира откако ќе се користи приближно 40 пати. Ако се користи мека вода, машината може да се декласифицира откако ќе се користи приближно 80 пати. Течен декласификатор на машината еспресо може да се користи за декласирање на апаратот. Пред деклаирање, проверете дали уредот е исклучен од напојувањето.

- 1) Истурете приближно 250 ml млека вода, а потоа додадете 250 ml течен декласификатор на машината за еспресо.
- 2) Ставете го филтерот (15 + 16 + 17 + 18 + 20) во заклучена положба во уредот. Потоа ставете чаша половина исполнета со ладна вода под млазницата за пареа (13) и празна чаша под инката за филтрирање (20).
- 3) Поврзете го уредот со напојувањето.
- 4) Притиснете го копчето за вклучување (3).
- 5) Потоа притиснете го копчето Auto Single Cup (1).
- 6) Кога затварувачот ќе почне да се спушта во празна чаша, ставете го врвот на млазницата на пареата (13) во чаша исполнета со ладна вода и притиснете го копчето за пареа (5).
- 7) Почакајте неколку секунди и исклучете го уредот. После деклаирање, уредот мора да се исплакне три пати со чиста вода. За да го направите тоа, повторете ги чекорите од 1 до 7 полнење на резервоарот за вода (9) само со чиста вода.

Смена на проблеми

Симптом: Нема вода / без пара

Причина 1: Дали резервоарот за вода (9) има вода внатре / е на место?

Решение 1: Додајте вода во резервоарот (9).

Причина 2: Во машината не се додава вода однапред.

Решение 2: Начин на додавање вода: притиснете го копчето Manual Safe Cup (4), пумпата започнува да пумпа вода во уредот, притиснете го копчето Manual Safe Cup (4) по неколку секунди.

Причина 3: Машината не завршува пред загревање.

Решение 3: Чекај. Машината може да направи кафе откако ќе заврши загревањето. Загревањето е завршено кога индикаторот за светло (19) се менува од сино трепкање во секогаш светло.

Симптом: Нема пара

Причина 1: Дупче за пара блокиран

Решение 1: Користете мала жица за да ја истурите малата дупка на дното на млазницата на пареата (13), исчистете ја на овој начин.

Решение 2. По завршувањето на млечната пена, направете функција на топла вода за чистење на цевката за пара.

Симптом: Лошо млеко пена

Причина 1: Дали е целото млеко?

Решение 1: Користете цело млеко.

Симптом: Лошо млеко пена

Причина 1: Копчето за пара (5) почнува да се пее млеко пена пред уредот целосно да се загрее.

Решение 1: Чекај. Започнете со загревање откако индикаторот за светло (19) ја менува бојата од црвено трепкање во континуирано црвено.

ТЕХНИЧКИ ПОДАТОЦИ:

Максимален капацитет: 1,6 литри

Напон: 220-240V ~ 50 / 60Hz

Моќност: 850W

Максимална моќност: 1000W

Притисок: 15 шипки



Се грижиме за природната средина. Картонските паковки молиме да се наменат за рециклирање. Полиетиленовите кеси (PE) да се фрлат во контејнер за пластика. Искористениот уред треба да се предаде во соодветниот складирачки пункт, бидејќи небезбедните состојки кои се наоѓаат во уредот можат да бидат загрозување за средината.

Електричниот уред треба да се предаде на начин кој ќе оневозможи негова повторна употреба и искористување.

Доколку во уредот има батерии, треба да се извадат и посебно да се предадат во складирачкиот пункт.

## (NL) NEDERLANDS

### ALGEMENE VEILIGHEIDSVORWAARDEN BELANGRIJKE VEILIGHEIDSinSTRUCTIES. LEES AANDACHTIG EN BESPAAR DE TOEKOMST

1. Lees voor het gebruik van het apparaat de handleiding en volg de instructies die erin staan.
2. Het apparaat is alleen voor thuisgebruik. Gebruik het niet voor andere doeleinden dan waarvoor het bedoeld is.
3. Het apparaat mag alleen worden aangesloten op een geaard stopcontact van 220-240 V ~ 50/60 Hz. Om de operationele veiligheid te vergroten, mogen niet meerdere elektrische apparaten tegelijkertijd op één stroomcircuit worden aangesloten.
4. Wees uiterst voorzichtig wanneer u het apparaat gebruikt wanneer er kinderen in de buurt zijn.
5. **WAARSCHUWING:** Deze apparatuur kan worden gebruikt door kinderen ouder dan 8 jaar en mensen met een verminderd fysiek, zintuiglijk of mentaal vermogen, of mensen die geen ervaring of kennis hebben van de apparatuur, als dit wordt gedaan onder toezicht van een verantwoordelijke persoon voor hun veiligheid of hebben ze informatie gekregen over het veilige gebruik van het apparaat en zijn zich bewust van de gevaren van het gebruik ervan. Kinderen mogen niet met de apparatuur spelen. Het apparaat mag niet worden

- schoongemaakt en onderhouden door kinderen, tenzij ze ouder zijn dan 8 jaar en deze activiteiten worden uitgevoerd onder toezicht.
6. Kook het water in de tank en giet het twee keer om de geur te verwijderen voor het eerste gebruik.
  7. Haal na gebruik altijd de stekker uit het stopcontact door het stopcontact na gebruik met uw hand vast te houden.
  8. Trek nooit aan het netsnoer maar aan de stekker wanneer u de stekker uit het stopcontact haalt.
  9. Stel het apparaat niet bloot aan atmosferische omstandigheden (regen, zon, enz.) Of gebruik het niet in omstandigheden met een hoge luchtvochtigheid (badkamers, vochtige stacaravans).
  10. Dompel de kabel, stekker en het apparaat niet onder in water of een andere vloeistof.
  11. Controleer regelmatig de staat van het netsnoer. Als het netsnoer beschadigd is, moet het worden vervangen door een gespecialiseerde reparateur om gevaar te voorkomen.
  12. Gebruik het apparaat niet met een beschadigd netsnoer of als het is gevallen of op een andere manier is beschadigd of als het niet goed werkt. Repareer het apparaat niet zelf, er bestaat gevaar voor elektrische schokken. Breng het beschadigde apparaat naar een geschikt servicecentrum voor controle of reparatie. Alle reparaties mogen alleen worden uitgevoerd door geautoriseerde servicepunten. Verkeerd uitgevoerde reparaties kunnen ernstig gevaar voor de gebruiker opleveren.
  13. Plaats het apparaat op een koel, stabiel oppervlak, uit de buurt van hete keukenapparatuur zoals: elektrisch fornuis, gasbrander, enz.
  14. Gebruik het apparaat niet in de buurt van brandbare materialen.
  15. Het netsnoer mag niet over de rand van een tafel hangen of hete oppervlakken aanraken. De fabrikant is niet aansprakelijk voor schade veroorzaakt door het gebruik van het apparaat in strijd met het beoogde doel of onjuist gebruik. Laat kinderen niet met het apparaat spelen, laat kinderen of mensen die het apparaat niet kennen, het gebruiken.
  16. Laat het apparaat of de adapter niet zonder toezicht aan staan.
  17. Om extra bescherming te bieden, is het raadzaam om een aardlekschakelaar (RCD) in het elektrische circuit te installeren met een nominale reststroom van niet meer dan 30 mA. Vraag dit advies aan een elektricien.
  18. Gebruik het apparaat nooit zonder water! Het kan beschadigd zijn.
  19. Richt nooit een stroom hete stoom of water op uw lichaam.
  20. Gebruik het apparaat nooit met bruisend water !!!
  21. Laat het apparaat nooit achter bij een temperatuur onder 0 graden Celsius, omdat het hierdoor beschadigd kan raken.
  22. Haal altijd de stekker uit het stopcontact voordat u de tank met water vult.
  23. Reinig en inspecteer de machine regelmatig om de kwaliteit van de verkregen koffie te garanderen en de levensduur van de machine te verlengen.
  24. Koppel altijd de stroombron los voordat u gaat schoonmaken en laat alle hete onderdelen afkoelen. Het apparaat moet worden schoongemaakt met een mild, niet-schurend schoonmaakmiddel. Gebruik nooit schoonmaakmiddel omdat dit de laklaag kan



beschadigen.

25. Gebruik voor het ontkalken van de machine een vloeibare ontkalker die is ontworpen voor koffiezetapparaten onder druk.

26. Raak tijdens gebruik nooit de filterbehuizing of de melkopschuimer aan, omdat er gevaar voor brandwonden bestaat.

27. Gebruik alleen originele accessoires.

28. Verplaats of verplaats het apparaat niet tijdens gebruik.

Deze machine heeft een klassieke functie van Italiaanse geconcentreerde espresso en cappuccino koffie. Rijk koffiearoma en schuim, eenvoudig te bedienen en veilig, gemakkelijk schoon te maken.

#### PRODUCTBESCHRIJVING: KOFFIEMACHINE CR4410

- |   |  |
|---|--|
| 1. Auto Single Cup - knop voor automatische bereiding van 1 kopje koffie  |  |
| 2. Auto Double Cup - knop voor automatische bereiding van 2 kopjes koffie |  |
| 3. Aan / uit-knop   | 4. Knop voor handmatige koffiekop            |
| 5. Stoomknop  | 6. Druppelrooster                            |
| 7. Uitneembare lekbak   | 8. Deksel watertank                          |
| 9. Watertank 1600ml   | 10. Stoomknop                                |
| 11. Hoofdbehuizing  | 12. Handgreep stoomstraal                    |
| 13. Stoompijpe  | 14. Maatlepel                                |
| 15. Filtergreep   | 16. Filterbevestigingsclip                   |
| 17. Filterhuis  | 18. Filter voor gemalen koffie voor 1 kopje  |
| 19. Lichtindicator  | 20. Trechter                                 |
| 21. Markering ontgrendelen  | 22. Markering vergrendelen                   |
| 23. Functiemarkering warm water   | 24. Filter voor gemalen koffie voor 2 kopjes |

#### Gebruiksaanwijzing

Voor het eerste gebruik

Controleer na het uitpakken van het apparaat of alle knoppen beschikbaar zijn en de stoomknop (10) is uitgeschakeld in de "UIT" -stand. Veeg voor het aanbrengen het apparaat schoon (zie Reiniging en onderhoud).

1. Verwijder het waterreservoir (9), giet water in het waterreservoir (9), het waterniveau mag de markering "MAX" niet overschrijden. Het wordt aanbevolen om gefilterd water te gebruiken. Dit voorkomt kalkaanslag en verbetert de smaak van de bereide koffie. Gebruik geen sodawater.
2. Laat tweemaal warm water lopen (onderstaande instructies) om de fabrieksgeur te verwijderen voor het eerste gebruik.
3. Steek de stekker in het stopcontact en druk op de aan / uit-knop (3). Op dit moment knippert de lichtindicator (19) blauw. Druk op de knop Handmatige koffiekop (4) om de pomp te laten werken en water uit het waterreservoir naar het apparaat te pompen om te verwarmen.
4. Het apparaat begint voor te verwarmen, op dit moment knippert de lichtindicator (19) blauw; wanneer het blauwe lampje ophoudt met knipperen en continu blauw oplicht, is de opwarming voltooid en duurt het ongeveer 2 minuten.
5. Druk op de Auto Single Cup-knop (1) om het hete water eruit te laten om het koffiefilter (18) te wassen.
6. Herhaal stap 3, 4, 5 hierboven.
7. Verwijder condenswater uit water en koffie uit de verwijderbare lekbak (7).

Hoe espresso koffie zetten?

Sluit het apparaat aan op de voeding en druk op de aan / uit-knop (3). Op dit moment knippert het indicatielampje (19) blauw, wacht tot het stopt met knipperen, dan is het apparaat klaar met verwarmen en is het klaar voor gebruik.

1. Terwijl het apparaat voorverwarmt, kunt u het gemalen koffiempoeder (u moet het fijne poeder gebruiken, niet te dik of te dun) in het filter voor gemalen koffie (18). Gebruik voor één espressokop één maatlepel (14) van uw favoriete gemalen koffie. Gebruik voor twee espressokopjes 1,5 maatlepel (14) van uw favoriete gemalen koffie. Gebruik vervolgens het handvat van de maatlepel (14) om het stevig vast te drukken; veeg tegelijkertijd het koffiempoeder op de rand van het filter (18). U kunt ook het filter (24) gebruiken dat geschikt is voor 2 kopjes gemalen koffie.
2. Plaats het met gemalen koffie gevulde filter (18) in het filterhuis (17) en houd het bij de filterhendel (15). Plaats het filter met gemalen koffie onder het ontgrendelteken (21), verplaats het vervolgens naar de rechterkant om het te vergrendelen, net onder het vergrendelteken (22), en plaats vervolgens het koffiekopje (of 2 kopjes) onder de trechter (20).
3. Pas de positie van het koffiekopje (of 2 kopjes tegelijk) aan, laat de koffie langs de kopwand stromen.
4. Druk op:

- de Auto Single Cup-knop (1), u hoort een di-di-geluid en vervolgens begint er een kopje koffie naar uw kopje te stromen. Koffie stopt automatisch met uitlopen, je hoort di-di-di-di-di geluid. Enkele koffie heeft een capaciteit van ongeveer 100 ml.

- de Auto Double Cup-knop (2), u hoort een di-di-geluid en vervolgens begint de koffie naar 2 kopjes tegelijk te stromen. Koffie stopt automatisch met uitlopen, je hoort di-di-di-di-di geluid.

- de knop Handmatige koffiekop (4) om koffie uit te laten stromen zolang u maar wilt. Nadat de hoeveelheid koffie het gewenste niveau heeft bereikt, drukt u nogmaals op de knop Handmatige koffiekop (4) om het uitlopen van koffie te stoppen. Laat het apparaat niet

onbeheerd achter, het kan overlopen van koffie.

5. Wacht even tot de koffie druipt en de koffie is klaar.

#### Stoom schuimfunctie

1. Druk op de stoomknop (5), de lichtindicator (19) wordt rood en knippert, wanneer het rode licht verandert van knipperend in continu rood licht, is het voorverwarmen voltooid.

2. De hoeveelheid stoom kan worden aangepast aan de vaardigheid van het individu. Voordat u het melkschuim gaat opschuimen, moet u het water in het stoompijpje (13) laten ontsnappen. Het wordt aanbevolen om de melk in de 1/3 hoogte van de kan te gieten, het stoompijpje (13) in de melk te steken op een diepte van 1 cm en dan langzaam de stoomknop (10) los te draaien totdat de stoom begint te ontsnappen. U kunt de kruik een beetje zwaaien, maar raak de onderkant van de kruik niet aan met het stoompijpje (13).

3. Wanneer de temperatuur van de melk ongeveer 75 graden Celsius bereikt en het melkschuim begint uit te zetten, draai dan de stoomknop (10) naar de "UIT" -stand, zet de stoomknop (5) uit om de lichtindicator (19) te maken blauw wordt, drukt u direct op de aan / uit-knop (3) om het apparaat uit te schakelen.

Nadat het melkschuim is voltooid, reinigt u de melk op tijd op het oppervlak van de stoompijp met een vochtige doek en spuit u de stoom om te voorkomen dat de melk uitdroogt en de ventilatie blokkeert.

#### Hoe cappuccinokoffie maken?

1. Bereid grotere kopjes voor die geschikt zijn voor cappuccinokoffie.

2. Bereid koffie volgens de punten 1-5 die gedeeltelijk zijn beschreven: Hoe espresso te maken?

3. Bereid het melkschuim volgens de punten 1-3 die gedeeltelijk zijn beschreven: Schuimfunctie met stoom.

4. Schud vervolgens de kan op tafel zodat het melkschuim volledig is gemengd en giet het met koffie in het kopje.

#### Warmwaterfunctie

1. Druk op de aan / uit-knop (3).

2. Het apparaat begint voor te verwarmen, op dit moment knippert de lichtindicator (19) blauw; wanneer het blauwe lampje ophoudt met knipperen en continu blauw oplicht, is de opwarming voltooid en duurt het ongeveer 2 minuten.

3. Zet het kopje onder het stoompijpje (13).

4. Draai de stoomknop (10) totdat het stoompijpje (13) uit heet water stroomt. De knop moet de positie van de functiemarkering voor warm water (23) overschrijden.

5. Druk op:

- de Auto Single Cup-knop (1), je hoort di-di geluid, en dan begint het warme water - ongeveer 150ml - naar je kopje te stromen. Het water stopt automatisch met uitstromen, u hoort een di-di-di-di-di geluid. Als u de waterstroom moet stoppen, drukt u onmiddellijk opnieuw op de Auto Single Cup-knop (1).

- de Auto Double Cup-knop (2), je hoort di-di geluid, en dan begint het water - ongeveer 250 ml - naar je kopje te stromen. Het water stopt automatisch met uitstromen, u hoort een di-di-di-di-di geluid. Als u het uitstromen van water moet stoppen, drukt u onmiddellijk opnieuw op de knop Auto Double Cup (2).

- de knop Handmatige koffiekop (4) om heet water zo lang als nodig uit te laten stromen. Laat het apparaat niet zonder controle achter.

Nadat de hoeveelheid heet water het door u gewenste niveau heeft, drukt u nogmaals op de knop Handmatige koffiekop (4) om de stroom uit het warme water te stoppen. Als u het water moet stoppen, drukt u onmiddellijk opnieuw op de knop Handmatige koffiekop (4).

6. Als u klaar bent, zet u de stoomknop (10) uit en drukt u vervolgens op de aan / uit-knop (3).

7. Het warme water kan worden gebruikt voor het drinken, schoonmaken of verwarmen van bekertjes voordat u uw koffie inschenkt.

#### Reiniging en onderhoud

1. Schakel de aan / uit-knop (3) uit, trek de stekker uit het stopcontact en reinig het apparaat nadat het volledig is afgekoeld.

2. Leeg na gebruik altijd het waterreservoir (9). Maak het waterreservoir (9) van tijd tot tijd schoon met een vochtige spons of doek.

3. Maak het filter (18) los en verwijder gebruikte koffie uit het filter. Als de filtergaten verstopt zijn met koffie, gebruik dan een borstel om het schoon te maken. U kunt de koffietrichter (20) losschroeven en het koffiedik in het filterhuis (17) reinigen.

4. De bekertjes, watertank (9), lekrooster (6), verwijderbare lekbak (7), filter (15 + 16 + 17 + 18 + 20) kunnen in water worden gewassen met een mild schoonmaakmiddel zonder schurende stoffen of oplosmiddelen. Externe onderdelen moeten worden schoongemaakt met een zachte doek of spons. Sterk schurende reinigingsmiddelen of borstels kunnen krassen op het oppervlak veroorzaken.

Opmerking: gebruik geen alcohol- of oplosmiddelreiniger en dompel de machine niet onder in water om schoon te maken.

#### ONTKALKING

Als het koffiezetten langer duurt dan aan het begin van het gebruik of als het stoompijpje (13) geen stoom produceert, moet het apparaat worden ontkalkt. Als hard water wordt gebruikt, moet het apparaat worden ontkalkt nadat het ongeveer 40 keer is gebruikt. Als zacht water wordt gebruikt, kan de machine worden ontkalkt nadat deze ongeveer 80 keer is gebruikt. U kunt een vloeibare ontkalker voor espressomachines gebruiken om het apparaat te ontkalken. Zorg er vóór het ontkalken voor dat het apparaat is losgekoppeld van de voeding.

1) Giet ongeveer 250 ml lauw water en voeg vervolgens 250 ml vloeibare ontkalker voor espressomachines toe.

2) Plaats het filter (15 + 16 + 17 + 18 + 20) in vergrendelde positie in het apparaat. Plaats vervolgens een kopje half gevuld met koud water onder het stoompijpje (13) en een leeg kopje onder de filtertrichter (20).

3) Sluit het apparaat aan op de voeding.

4) Druk op de aan / uit-knop (3).

- 5) Druk vervolgens op de Auto Single Cup-knop (1).
- 6) Wanneer de ontkalker in een lege beker begint te stromen, steekt u de punt van het stoompijpe (13) in een kop gevuld met koud water en drukt u op de stoomknop (5).
- 7) Wacht een paar seconden en schakel het apparaat uit. Na het ontkalken moet het apparaat driemaal met schoon water worden gespoeld. Herhaal hiervoor de stappen 1 tot en met 7 en vul het waterreservoir (9) alleen met schoon water.

#### Probleemoplossen

Symptoom: geen water / geen stoom

Reden 1: Of er water in het waterreservoir (9) zit / op zijn plaats zit?

Oplossing 1: voeg water toe aan de tank (9).

Reden 2: Er wordt vooraf geen water toegevoegd in de machine.

Oplossing 2: methode voor het toevoegen van water: druk op de knop Handmatige koffiekop (4), de pomp begint water in het apparaat te pompen, druk na enkele seconden op de knop Handmatige koffiekop (4).

Reden 3: De machine voltooit het voorverwarmen niet.

Oplossing 3: wacht. De machine kan koffie zetten nadat het opwarmen is voltooid. Het opwarmen is voltooid wanneer de lichtindicator (19) verandert van blauw knipperend in altijd blauw.

Symptoom: geen stoom

Reden 1: Stoomopening geblokkeerd

Oplossing 1: gebruik een klein draadje om het kleine gaatje in de onderkant van het stoompijpe (13) te prikken, maak het op deze manier schoon.

Oplossing 2. Nadat het melkschuim klaar is, voert u een heetwaterfunctie uit om de stoomslang te reinigen.

Symptoom: Slecht melkschuim

Reden 1: Is het volle melk?

Oplossing 1: gebruik volle melk.

Symptoom: Slecht melkschuim

Reden 1: De stoomknop (5) begint melkschuim op te schuimen voordat het apparaat volledig is opgewarmd.

Oplossing 1: wacht. Begin met stomen nadat de lichtindicator (19) van kleur verandert van rood knipperend naar continu rood.

#### TECHNISCHE DATA:

Maximale capaciteit: 1,6 liter

Spanning: 220-240V ~ 50 / 60Hz

Vermogen: 850W

Max vermogen: 1000W

Druk: 15 bar



We geven om het milieu. We vragen u om de kartonnen verpakkingen te storten bij het oud papier. Polyethyleen zakken (PE) storten in de container voor plastic. Versleten apparatuur afgeven bij het juiste verzamelpunt, als in het apparaat gevaarlijke elementen zitten kan dat een bedreiging zijn voor het milieu. Elektrisch apparaat moet worden geretourneerd om het hergebruik te verminderen. Als in het apparaat batterijen zitten, horen die verwijderd te worden en apart af te worden gegeven bij het juiste verzamelpunt.

## (SL) SLOVENŠČINA

### SPLOŠNI VARNOSTNI POGOJI POMEMBNA VARNOSTNA NAVODILA. PROSIMO PREBERITE PREVERNO IN PRIHRANITE ZA PRIHODNOST

1. Pred uporabo naprave preberite navodila za uporabo in sledite navodilom, ki jih vsebuje.
2. Naprava je samo za domačo uporabo. Ne uporabljajte za druge namene, ki niso predvideni.
3. Napravo je treba priključiti samo na ozemljeno vtičnico 220-240 V ~ 50/60 Hz. Za povečanje obratovalne varnosti več električnih naprav ne sme biti hkrati priključenih na en tokovni tokokrog.
4. Bodite zelo previdni pri uporabi naprave, ko so otroci v bližini.
5. OPOZORILO: To opremo lahko uporabljajo otroci, starejši od 8 let, in osebe z omejenimi telesnimi, senzoričnimi ali duševnimi sposobnostmi ali ljudje, ki nimajo izkušenj ali znanja o opremi, če se to izvaja pod nadzorom odgovorne osebe. zaradi varnosti ali so jim bili odobreni podatki o varni uporabi naprave in se zavedajo nevarnosti uporabe. Otroci se ne

- smejo igrati z opremo. Čiščenja in vzdrževanja naprave ne smejo izvajati otroci, razen če so starejši od 8 let in te dejavnosti izvajajo pod nadzorom.
6. V posodi zavremo vodo in jo dvakrat prelijemo, da se znebimo vonja pred prvo uporabo.
  7. Po uporabi vedno odstranite vtič iz vtičnice, tako da po uporabi držite vtičnico z roko.
  8. Ko odstranite vtič iz vtičnice, nikoli ne vlecite napajalnega kabla, ampak vtiča.
  9. Naprave ne izpostavljajte atmosferskim razmeram (dež, sonce itd.) In ne uporabljajte v pogojih visoke vlažnosti (kopalnice, vlažne mobilne hišice).
  10. Kabla, vtiča in naprave ne potopite v vodo ali drugo tekočino.
  11. Občasno preverite stanje napajalnega kabla. Če je napajalni kabel poškodovan, ga morate zamenjati v serviserju, da se izognete nevarnosti.
  12. Naprave ne uporabljajte s poškodovanim napajalnim kablom ali če je padel ali poškodovan na kakršen koli drug način ali če ne deluje pravilno. Naprave ne popravljajte sami, saj obstaja nevarnost električnega udara. Poškodovano napravo odnesite v ustrezen servisni center, da preverite ali popravite. Vsa popravila smejo izvajati samo pooblašteni serviserji. Nepravilno opravljena popravila lahko za uporabnika resno ogrozijo.
  13. Napravo postavite na hladno in stabilno površino, stran od vročih kuhinjskih aparatov, kot so: električni štedilnik, plinski gorilnik itd.
  14. Naprave ne uporabljajte v bližini vnetljivih materialov.
  15. Napajalni kabel morda ne visi čez rob mize ali se dotika vročih površin. Proizvajalec ne odgovarja za škodo, ki jo povzroči uporaba naprave v nasprotju s predvidenim namenom ali nepravilnim delovanjem. Ne dovolite otrokom, da se igrajo z napravo, ne dovolite otrokom ali ljudem, ki jih naprava ne pozna, da jo uporabljajo.
  16. Naprave ne puščajte vklopljeno ali adapter brez nadzora brez nadzora.
  17. Za dodatno zaščito je priporočljivo v električni tokokrog vgraditi napravo za preostali tok (RCD) z nazivno preostalo vrednostjo, ki ne presega 30 mA. Za ta nasvet se obrnite na električarja.
  18. Naprave nikoli ne uporabljajte brez vode! Lahko se poškoduje.
  19. Nikoli ne usmerite toka vroče pare ali vode proti telesu.
  20. Naprave nikoli ne uporabljajte z penečo vodo !!!
  21. Nikoli ne puščajte naprave pri temperaturi pod 0 stopinj Celzija, ker jo lahko poškodujete.
  22. Preden napolnite rezervoar z vodo, vedno izklopite stroj.
  23. Stroj redno čistite in pregledujte, da zagotovite kakovost dobljene kave in podaljšate življenjsko dobo stroja.
  24. Pred čiščenjem vedno izključite vir napajanja in pustite, da se vsi vroči deli ohladijo. Napravo je treba očistiti z blagim neabrazivnim detergentom. Nikoli ne uporabljajte čistilnega topila, ker lahko to poškoduje sloj barve.
  25. Za odstranjevanje vodnega kamna uporabite tekoči deskaler, zasnovan za kavne aparate pod tlakom.
  26. Med uporabo se nikoli ne dotikajte ohišja filtra ali šobe za mleko, saj lahko pride do opeklin.

27. Uporabljajte samo originalne dodatke.

28. Naprave ne premikajte in ne premikajte med. delovanjem.

Ta stroj ima klasične funkcije italijanske koncentrirane espresso in kave kapučino. Bogata aroma in pena kave, enostavna za uporabo in varna, enostavna za čiščenje.

OPIS IZDELKA: KAVARSKI STROJ Cr4410

- |   |   |
|---|---|
| 1. Samodejna enojna skodelica - gumb za samodejno pripravo 1 skodelice kave |   |
| 2. Samodejna dvojna skodelica - gumb za samodejno pripravo 2 skodelici kave |   |
| 3. Gumb za vklop  | 4. Ročni gumb za skodelico za kavo      |
| 5. Gumb za paro   | 6. Kapica                               |
| 7. Odstranljiv pladenj za kapljanje   | 8. Pokrov rezervoarja za vodo           |
| 9. Rezervoar za vodo 1600ml   | 10. Parni gumb                          |
| 11. Glavno ohišje   | 12. Ročaj parne šobe                    |
| 13. Parna šoba  | 14. merilna žlica                       |
| 15. Ročaj filtra  | 16. Držalo za pritrdjevanje filtra      |
| 17. Ohišje filtra   | 18. Filter za mleto kavo za 1 skodelico |
| 19. Indikator svetlobe  | 20. lijak                               |
| 21. Oznaka za odklepanje  | 22. Znamka zaklepanja                   |
| 23. Oznaka funkcije tople vode  | 24. Filter za mleto kavo za 2 skodelici |

Navodila za uporabo

Pred prvo uporabo

Po razpakiranju naprave preverite, ali so vsi gumbi na voljo in ali je parni gumb (10) izklopljen v položaju "OFF". Pred nanosom obrišite napravo (glejte Čiščenje in vzdrževanje).

1. Odstranite rezervoar za vodo (9), natočite vodo v rezervoar za vodo (9), nivo vode ne sme presežati oznake "MAX". Priporočljivo je, da uporabite filtrirano vodo. Tako se prepreči kopičenje apna in izboljša okus pripravljene kave. Ne uporabljajte soda vode.
2. Dvakrat zaženite toplo vodo (navodila spodaj), da odstranite tovarniško nov vonj pred prvo uporabo.
3. Priključite in pritisnite gumb za vklop (3). V tem času lučka (19) utripa modro. Pritisnite gumb za ročno kavno skodelico (4), da delate črpalko in tako črpate vodo iz rezervoarja za vodo v napravo za ogrevanje.
4. Naprava se začne predgreti, v tem času lučka (19) utripa modro; ko modra lučka preneha utripati in prižge neprekinjeno modro osvetlitev, segrevanje zaključí, traja približno 2 minuti.
5. Pritisnite gumb za samodejno skodelico (1), da vročo vodo izpustite za pranje kavnega filtra (18).
6. Ponovite korake 3, 4, 5 zgoraj.
7. Izpraznite kondenz iz vode in kave iz odstranljivega posode za kapljanje (7).

Kako narediti espresso kavo?

Napravo priključite na napajanje in pritisnite gumb za vklop (3). V tem trenutku indikatorska lučka (19) utripa modro, počakajte, da preneha utripati, potem bo naprava končala ogrevanje in bo pripravljena za uporabo.

1. Medtem ko se naprava predgreje, lahko v filter zmlate kavo (18) vstavite mleto kavo v prahu (uporabite fin prah, ne predebel ali pretanek). Za eno skodelico espressa uporabite eno merilno žlico (14) vaše najljubše mlete kave. Za dve skodelici espressa uporabite 1,5 merilno žlico (14) vaše najljubše mlete kave. Nato z ročico merilne žlice (14) tesno pritisnite; hkrati obrišite kavni prašek na robu filtra (18). Uporabite lahko filter (24), primeren tudi za dve skodelici zmlate kave.

2. V ohišje filtra (17) vstavite filter, napolnjen z mleto kavo (18), in ga držite z ročajem filtra (15). Filtrirajte z mleto kavo pod oznako za odklepanje (21), nato pa jo premaknite na desno stran, da se zaskoči, tik pod zapornico (22), nato pa skodelico za kavo (ali 2 skodelici) postavite pod lijak (20).

3. Prilagodite položaj kavne skodelice (ali 2 skodelici hkrati), pustite, da kava teče vzdolž stene skodelice.

4. Pritisnite:

- gumb Auto Single Cup (1) zaslišite di-di zvok in nato začne priti kava v vašo skodelico. Kava preneha samodejno odtekatí, zaslišali boste di-di-di-di-di zvok. Posamezna kava je približno 100 ml.
- gumb Auto Double Cup (2) zaslišite di-di zvok, nato začne kava pritekati do 2 skodelici hkrati. Kava preneha samodejno odtekatí, zaslišali boste di-di-di-di-di zvok.
- gumb za ročno skodelico za kavo (4), da iztečete kavo, dokler želite. Ko bo količina kave zelena, ponovno pritisnite gumb Ročna skodelica za kavo (4), da zaustavite pretok kave. Naprave ne puščajte brez nadzora, saj lahko kava prelije.
- 5. Počakajte minuto, da kava kaplja in kava je pripravljena.

Funkcija penjenja s paro

1. Pritisnite gumb Par (5), svetlobni indikator (19) se obarva rdeče in utripa, ko se rdeča lučka spremeni iz utripajoče v kontinuirano rdečo luč, je predgrevanje končano.
2. Količino pare je mogoče prilagoditi glede na znanje posameznika. Pred peno mleko izpustite vodo v parni šobi (13). Priporočljivo je, da mleko nalijete v 1/3 višine vrča, vstavite parno šobo (13) v mleko na 1 cm globine in nato počasi odvijte parni gumb (10), dokler se para ne

začne izločati. Lahko vrtete vrč malo, vendar ne dotikajte dna posode s parno šobo (13).

3. Ko temperatura mleka doseže približno 75 stopinj Celzija in se mlečna pena začne širiti, vrtite gumb za paro (10) v položaj "OFF", izklopite gumb za paro (5), da zasveti lučka (19) postane modra, za izklop naprave neposredno pritisnite gumb za vklop (3).

Ko je mlečna pena končana, pravočasno očistite mleko na površini parne šobe za vlažno krpo in jo razpršite, da mleko ne izsuši in prepreči odzračevanja.

Kako narediti kavo s kapučino?

1. Pripravite si skodelice večje količine, primerne za kavo s kapučino.
2. Pripravite kavo v skladu z deli, opisanimi v točkah 1-5: Kako pripraviti espresso kavo?
3. Pripravite mlečno peno v skladu s točkami 1-3, ki so delno opisane: Funkcija penjenja s paro.
4. Nato na mizo stresemo vrč, da se mlečna pena popolnoma zmeša, in ga vlijemo v skodelico s kavo.

Funkcija tople vode

1. Pritisnite gumb za vklop (3).
2. Naprava se začne predgreti, v tem času lučka (19) utripa modro; ko modra lučka preneha utripati in prižge neprekinjeno modro osvetlitev, segrevanje zaključí, traja približno 2 minuti.
3. Skodelico dvignite pod parno šobo (13).
4. Obrnite parni gumb (10), dokler iz parne šobe (13) ne izteče vroča voda. Gumb mora preseagati položaj oznake delovanja tople vode (23).
5. Pritisnite:
  - gumb Auto Single Cup (1) boste zaslišali di-di zvok, nato pa bo v vašo skodelico odtekala topla voda - približno 150 ml. Voda preneha samodejno, zasliši se zvok di-di-di-di-di. Če morate ustaviti pretok vode, takoj ponovno pritisnite gumb Auto Single Cup (1).
  - gumb Auto Double Cup (2) boste zaslišali di-di zvok, nato pa bo začela odtekati voda - približno 250 ml - v skodelico. Voda preneha samodejno, zasliši se zvok di-di-di-di-di. Če morate ustaviti pretok vode, takoj ponovno pritisnite gumb Auto Double Cup (2).
  - gumb za ročno kavno skodelico (4) za iztok tople vode, dokler je potrebno. Ne pustite naprave brez nadzora. Ko bo količina tople vode zelena, ponovno pritisnite gumb za ročno skodelico za kavo (4), da preprečite pretok tople vode. Če morate ustaviti pretok vode, takoj ponovno pritisnite gumb za ročno kavo (4).
6. Ko končate, izklopite gumb Par (10) in nato izklopite gumb za vklop (3).
7. Toplo vodo lahko uporabite za pitje, čiščenje ali ogrevanje skodelic, preden natočite kavo.

Čiščenje in vzdrževanje

1. Izklopite gumb za vklop (3), ga izklopite iz omrežja in očistite po popolnem hlajenju.
2. Po uporabi vedno izpraznite rezervoar za vodo (9). Občasno očistite posodo za vodo (9) z vlažno gobo ali krpo.
3. Odstranite filter (18) in rabljeno kavo odstranite iz filtra. Če so luknje filtra zamašene s kavo, ga očistite s čopičem. Kavni lijak (20) lahko odvijete in očistite kavno podlago v ohišju filtra (17).
4. Skodelice, rezervoar za vodo (9), kapalna mreža (6), odstranljiv pladenj za kapljanje (7), filter (15 + 16 + 17 + 18 + 20) se lahko operejo v vodi z blagim detergentom, brez abrazivnih snovi ali topil. Zunanje dele je treba očistiti z mehko krpo ali gobico. Visoko abrazivna čistila ali krtače lahko povzročijo praske na površini.

Opomba: Za čiščenje ne uporabljajte alkohola ali čistila za topila in ne potopite stroja v vodo.

DEKALCIFIKACIJA

Če kuhanje kave traja dlje časa kot na začetku uporabe ali parna šoba (13) ne proizvaja pare, je treba napravo dekalificirati. Če uporabljate trdo vodo, je treba napravo dekalificirati po 40-kratni uporabi. Če uporabljate mehko vodo, je stroj mogoče odstraniti, potem ko ga približno 80-krat uporabite. Za dekalifikacijo naprave se lahko uporablja tekoči decalcifier espresso machine. Pred dekalifikacijo preverite, ali je naprava izključena iz napajanja.

- 1) Prijemno približno 250 ml mlačne vode in nato dodamo 250 ml tekočega dekalifikatorja espresso stroja.
- 2) Filter (15 + 16 + 17 + 18 + 20) postavite v zaklenjen položaj v napravo. Nato postavite skodelico, napolnjeno s hladno vodo pod parno šobo (13) in prazno skodelico pod lijak filtra (20).
- 3) Napravo priključite na električno omrežje.
- 4) Pritisnite gumb za vklop (3).
- 5) Nato pritisnite gumb za samodejni pokal (1).
- 6) Ko dekalifikator začne teči navzdol v prazno skodelico, vstavite konico parne šobe (13) v skodelico, napolnjeno s hladno vodo in pritisnite gumb za paro (5).
- 7) Počakajte nekaj sekund in izklopite napravo. Po dekalifikaciji je treba napravo trikrat sprati s čisto vodo. Če želite to narediti, ponovite korake od 1 do 7, da rezervoar za vodo (9) napolnite samo s čisto vodo.

Odpravljanje težav

Simptom: Brez vode / brez pare

Razlog 1: Ali ima rezervoar za vodo (9) v sebi notranjost vode?

1. rešitev: Dodajte vodo v rezervoar (9).

Razlog 2: V stroj vnaprej ne dodajamo vode.

2. rešitev: Način dodajanja vode: pritisnite gumb za ročno kavno skodelico (4), črpalka začne črpati vodo v napravo, po nekaj sekundah pritisnite gumb za ročno kavo (4).

3. razlog: Naprava ne zaključí predgrevanja.

3. rešitev: Počakajte. Stroj lahko pripravi kavo po končanem ogrevanju. Ogrevanje je končano, ko se svetlobni indikator (19) spremeni iz modrega utripajočega v vedno svetleč.

Simptom: Brez pare

Razlog 1: odprta pare je blokirana

1. rešitev: Z majhno žico potisnite majhno luknjo na dnu parne šobe (13) in jo očistite na ta način.

2. rešitev 2. Po zaključku mlečne pene opravite funkcijo vroče vode, da očistite parno cev.

Simptom: Slaba mlečna pena

Razlog 1: Ali je polnomastno mleko?

1. rešitev: Uporabite polnomastno mleko.

Simptom: Slaba mlečna pena

Razlog 1: Gumb za paro (5) začne penati mlečno peno, preden se naprava popolnoma segreje.

1. rešitev: Počakajte. Začnite s paro, potem ko lučka (19) spremeni barvo iz rdeče utripajoče v stalno rdečo.

TEHNIČNI PODATKI:

Prostornina največ: 1,6 litra

Napetost: 220-240V ~ 50 / 60Hz

Moč: 850W

Največja moč: 1000W

Tlak: 15 barov



Skrbimo za okolje. Kartonska embalaža, prosim darovati na odpadni papir. Polietilenske vreče (PE) mečite v posoda za plastiko. Dotrajane naprave je treba vrniti na ustrezno zbirno mesto, ker vsebovane v napravo nevarne elemente lahko predstavljajo nevarnost za okolje. Električna naprava je treba vrniti kakor, da se omeji njegovo ponovno uporabo in izkoriščenost. Če naprava vsebuje baterijo, je treba odstraniti in ločeno dati nazaj na mesta skladiščenja.

## (FI) SUOMI

### YLEISET TURVALLISUUSOLOSUHTEET TÄRKEITÄ TURVAOHJEITA. LUE LUETTELE HUOLELLISESTI ja SÄÄSTÄ TULEVAISUUTEEN

1. Lue käyttöohje ennen laitteen käyttöä ja noudata siihen sisältyviä ohjeita.
2. Laite on tarkoitettu vain kotikäyttöön. Älä käytä muihin tarkoituksiin, jotka eivät ole sen käyttötarkoitukseen.
3. Laite saa kytkeä vain maadoitettuun pistorasiaan, joka on 220–240 V ~ 50/60 Hz. Käyttöturvallisuuden lisäämiseksi useita sähkölaitteita ei tule kytkeä samaan virtapiiriin.
4. Ole erityisen varovainen käyttäessäsi laitetta, kun lapset ovat lähellä.
5. VAROITUS: Tätä laitetta voivat käyttää yli 8-vuotiaat lapset ja henkilöt, joilla on heikentyneet fyysiset, aisti- tai henkiset kyvyt tai ihmiset, joilla ei ole kokemusta tai tietoa laitteista, jos tämä tehdään vastuussa olevan henkilön valvonnassa. heidän turvallisuutensa vuoksi tai heille on annettu tietoja laitteen turvallisesta käytöstä ja he ovat tietoisia laitteen käytön vaaroista. Lasten ei tule leikkiä laitteilla. Laitteen puhdistamista ja huoltoa saa tehdä vain lapsi, ellei se ole yli 8-vuotias ja nämä toimet suoritetaan valvonnassa.
6. Kiehauta säiliössä oleva vesi ja kaada se kahdesti päästäksesi eroon hausta ennen ensimmäistä käyttöä.
7. Poista aina pistoke pistorasiasta käytön jälkeen pitämällä pistoketta kädellä käytön jälkeen.
8. Kun irrotat pistoketta pistorasiasta, älä koskaan vedä virtajohtoa vaan pistoketta.
9. Älä altista laitetta ilmasto-olosuhteille (sade, aurinko jne.) Tai käytä korkean kosteuden olosuhteissa (kylpyhuoneet, kosteat asuntovaunut).
10. Älä upota kaapelia, pistoketta ja laitetta veteen tai muuhun nesteeseen.
11. Tarkista säännöllisesti virtajohdon kunto. Jos virtajohto on vaurioitunut, se on vaihdettava



erikoistuneeseen korjaamoon vaaran välttämiseksi.

12. Älä käytä laitetta vaurioituneen virtajohdon kanssa tai jos se on pudonnut tai vaurioitunut jollakin muulla tavalla tai jos se ei toimi oikein. Älä korjaa laitetta itse, koska siinä on sähköiskun vaara. Vie vaurioitunut laite asianmukaiseen huoltokeskukseen tarkistamista tai korjaamista varten. Kaikki korjaukset saa suorittaa vain valtuutetut huoltoliikkeet. Väärin suoritettavat korjaukset voivat aiheuttaa vakavan vaaran käyttäjälle.

13. Sijoita laite viileälle, vakaalle alustalle, pois kuumista keittiövälineistä, kuten sähköliesi, kaasupoltin jne.

14. Älä käytä laitetta syttyvien materiaalien lähellä.

15. Virtajohto ei saa roikkua pöydän reunan yli tai kosketa kuumia pintoja. Valmistaja ei ole vastuussa vahingoista, jotka aiheutuvat laitteen käyttötarkoituksen vastaisesta käytöstä tai virheellisestä käytöstä. Älä anna lasten leikkiä laitteen kanssa, älä anna lasten tai muiden tuntemattomien käyttää sitä.

16. Älä jätä laitetta kytkettynä päälle tai sovitinta ilman valvontaa.

17. Lisäsuojan tarjoamiseksi on suositeltavaa asentaa sähkövirtapiiriin jäännösvirtalaitte (RCD), jonka nimellisvirtavirta on enintään 30 mA. Kysy sähköasentajalta neuvoja.

18. Älä koskaan käytä laitetta ilman vettä! Se voi olla vaurioitunut.

19. Älä koskaan ohjaa kuumaa höyryä tai vettä kehoasi kohti.

20. Älä koskaan käytä laitetta kuohueden kanssa !!!

21. Älä koskaan jätä laitetta alle 0 celsiusasteen lämpötilaan, koska se voi vahingoittaa sitä.

22. Irrota kone aina pistorasiasta ennen säiliön täyttämistä vedellä.

23. Puhdista ja tarkista kone säännöllisesti, jotta varmistat saadun kahvin laadun ja pidentää koneen käyttöikä.

24. Irrota virtalähde aina ennen puhdistamista ja anna kaikkien kuumien osien jäähtyä. Laite on puhdistettava miedolla hankaavalla puhdistusaineella. Älä koskaan käytä puhdistusainetta, koska se voi vaurioittaa maalikerrosta.

25. Koneen kalkinpoistoon käytetään painekahvinkeitimille tarkoitettua nestemäistä kalkinpoistoainetta.

26. Älä koskaan kosketa suodattimen koteloa tai maidon vaahdotussuutinta käytön aikana, koska siinä on palovammojen vaara.

27. Käytä vain alkuperäisiä lisävarusteita.

28. Älä siirrä tai siirrä laitetta käytön aikana.

Tässä koneessa on klassinen toiminto italialaista tiivistettyä espresso- ja cappuccino-kahvia. Rikas kahvin tuoksu ja vaahdotus, helppo käyttää ja turvallista, helppo puhdistaa.

#### TUOTTEEN KUVAUS: KAHKAKONE Cr4410

- |   |  |
|---|--|
| 1. Auto Single Cup - painike 1 kupin kahvin automaattiseen valmistukseen      | 4. Manuaalinen kahvikupin painike        |
| 2. Auto Double Cup - painike 2 kupillisen kahvin automaattiseen valmistukseen | 6. Tiputusruudukko                       |
| 3. Virtapainike   | 7. Irrotettava tippa-astia               |
| 5. Höyrypainike   | 8. Vesisäiliön kansi                     |
| 7. Irrotettava tippa-astia  | 10. Höyryruppi                           |
| 9. Vesisäiliö 1600ml  | 12. Höyrysuuttimen kahva                 |
| 11. Pääkotelo   | 14. Mittausikka                          |
| 13. Höyrysuutin   | 16. Suodattimen pidike                   |
| 15. Suodattimen kahva   | 18. Suodatin jauhetulle kahville 1 kuppi |
| 17. Suodatinpesä  |  |

- |                                 |   |
|---------------------------------|---|
| 19. Valon merkkivalo            | 20. Suppilo                                   |
| 21. Lukitusmerkki               | 22. Lukitusmerkki                             |
| 23. Kuuman veden toimintamerkki | 24. Suodatin jauhetulle kahville 2 kupillista |

## Toimintaohje

### Ennen ensimmäistä käyttöä

Kun olet purkanut laitteen pakkauksesta, tarkista, ovatko kaikki käytettävissä olevat painikkeet ja höyrynuppi (10) pois päältä "POIS" -asennossa. Pyyhi laite ennen käyttöä (katso Puhdistus ja huolto).

1. Poista vesisäiliö (9), kaada vesi vesisäiliöön (9), vedenkorkeuden ei tulisi ylittää "MAX" -merkkiä. On suositeltavaa käyttää suodatettua vettä. Tämä estää kalkin muodostumista ja parantaa valmistetun kahvin makua. Älä käytä soodavettä.
2. Käynnistä kuuma vesi kahdesti (ohjeet alla), jotta tehdas uusi tuoksu poistuu ennen ensimmäistä käyttöä.
3. Kytke virta ja paina virtapainiketta (3). Tällä hetkellä merkkivalo (19) vilkkuu sinisenä. Paina manuaalisen kahvikupin painiketta (4) työskennellessäsi pumpulla, pumpaamalla vettä vesisäiliöstä lämmityslaitteeseen.
4. Laite alkaa lämmittää, tässä vaiheessa merkkivalo (19) vilkkuu sinisenä; Kun sininen valo lakkaa vilkkumasta ja syytty jatkuvalla sinisellä valaistukselle, lämpeneminen on valmis, se vie noin 2 minuuttia.
5. Paina kuuma yksikkökuppi -painiketta (1), jotta kuuma vesi poistuu kahvisuodattimen (18) pesemiseksi.
6. Toista vaiheet 3, 4, 5 yllä.
7. Tyhjennä vesi ja kahvin tiiviste irrotettavasta tippa-alustaan (7).

Kuinka tehdä espressokahvia?

Kytke laite virtalähteeseen ja paina virtapainiketta (3). Tällä hetkellä merkkivalo (19) vilkkuu sinisenä, odota, kunnes se lakkaa vilkkumasta, laite lopettaa lämmityksen ja on käyttövalmis.

1. Laitteen kuumentuessa voit laittaa jauhetun kahvijauheen (sinun tulee käyttää hienoa jauhetta, ei liian paksua tai liian ohutta) jauhettuun kahvisuodattimeen (18). Yhdelle espressokupille käytetään yksi mittauslusikka (14) suosikki jauhetta kahvia. Käytä kahdessa espressokupissa 1,5 mittauslusikkaa (14) suosikki jauhetta kahvia. Paina sen jälkeen tiukasti mittalusikan kahvalla (14); Pyyhi samalla kahvijauhe suodattimen reunasta (18). Voit käyttää suodatinta (24) myös 2 kupilliseen jauhetta kahvia varten.
2. Aseta jauhettu kahvitäytetty suodatin (18) suodatinkoteloon (17), pidä sitä suodattimen kahvasta (15). Asenna suodatin jauhetulla kahvilla lukitusmerkin (21) alle ja siirrä sitä sitten oikealta puolelta lukitaksesi, juuri lukitusmerkin (22) alle, ja aseta kahvikuppi (tai 2 kuppia) suppilon (20) alle.
3. Säädä kahvikupin (tai 2 kupin samanaikaisesti) sijainti, anna kahvin virtata kupin seinämää pitkin.
4. Paina:
  - Automaattinen yhden kupin painike (1), kuulet di-di-äänän, sitten se alkaa valua kahvia kupillisi. Kahvi lakkaa virtaamasta automaattisesti, kuulet di-di-di-di-di-äänän. Yhden kahvin tilavuus on noin 100 ml.
  - Auto Double Cup -painike (2), kuulet di-di-äänän, sitten se alkaa valua kahvia kahteen kuppiin samanaikaisesti. Kahvi lakkaa virtaamasta automaattisesti, kuulet di-di-di-di-di-äänän.
  - Manuaalisen kahvikupin painike (4) -painike kahvin virtaamiseksi niin kauan kuin haluat. Kun kahvimäärä on haluamasi taso, paina manuaalisen kahvikupin painiketta (4) uudelleen, jotta kahvin virtaus loppuu. Älä jätä laitetta vartioimatta, sillä se voi kahvin ylivuotoa.
5. Odota minuutti, kunnes kahvi tippuu ja kahvi on valmis.

### Höyryvahto-toiminto

1. Paina höyrypainiketta (5), merkkivalo (19) muuttuu punaiseksi ja vilkkuu, kun punainen valo muuttuu vilkkumisesta jatkuvaksi punaiseksi, esilämmitys on valmis.
2. Höyryn määrää voidaan säätää henkilön ammattitaidon mukaan. Ennen kuin vaahdotat maitovaahtoa, sinun on vapautettava vesi höyrysuuttimessa (13). On suositeltavaa kaataa maito kannun 1/3 korkeuteen, työnnä höyrysuutin (13) maitoon 1 cm syvyydessä ja ruuvaa sitten höyrynuppi (10) hitaasti, kunnes höyry alkaa työntyä ulos. Voit heittää kannua hiukan, mutta älä koske ruiskun pohjaan höyrysuuttimella (13).
3. Kun maidon lämpötila saavuttaa noin 75 celsiusastetta ja maidon vahto alkaa kasvaa, käännä höyrynuppi (10) OFF-asentoon ja sammuta höyryn painike (5), jotta merkkivalo (19) muuttuu siniseksi, sammuta laite painamalla virtapainiketta (3) suoraan. Kun maitovahto on valmis, puhdista maito höyrysuuttimen pinnalta kostealla liinalla ajoissa ja suihkuta höyryä maidon kuivumisen estämiseksi ja tuuletusaukon estämiseksi.

Kuinka tehdä cappuccino-kahvia?

1. Valmista suurempia kapseleita, jotka sopivat cappuccino-kahville.
2. Valmista kahvi osissa 1-5 kuvattulla tavalla: Kuinka tehdä espressokahvia?
3. Valmista maidon vahto kohtien 1-3 mukaisesti, jotka on kuvattu osassa: Höyryvaahdotus.
4. Ravista sitten kannu pöydällä niin, että maitovahto on täysin sekoittunut, ja kaada se kuppiin kahvin kanssa.

### Kuuman veden toiminto

1. Paina virtapainiketta (3).
2. Laite alkaa lämmittää, tässä vaiheessa merkkivalo (19) vilkkuu sinisenä; Kun sininen valo lakkaa vilkkumasta ja syytty jatkuvalla sinisellä valaistukselle, lämpeneminen on valmis, se vie noin 2 minuuttia.
3. Nouse kuppi höyrysuuttimen (13) alle.
4. Käännä höyrynuppia (10), kunnes höyrysuutin (13) valuu pois kuumassa vedessä. Nupin tulee ylittää käyttöveden toimintamerkin (23) sijainti.

## 5. Paina:

- Auto Single Cup -painike (1), kuulet di-di-äänen, sitten se alkaa valua kuumaa vettä - noin 150 ml - kupillisi. Vesi lakkaa virtaamasta automaattisesti, kuulet di-di-di-di-äänen. Jos joudut pysäyttämään veden virtauksen heti, paina uudelleen Auto Single Cup -painiketta (1).
  - Auto Double Cup -painike (2), kuulet di-di-äänen, sitten se alkaa valua vettä - noin 250 ml - kupillisi. Vesi lakkaa virtaamasta automaattisesti, kuulet di-di-di-di-äänen. Jos joudut pysäyttämään veden virtauksen heti, paina uudelleen Auto Double Cup -painiketta (2).
  - Manuaalinen kahvikupin painike (4), jotta kuuma vesi poistuu niin kauan kuin tarvitaan. Älä jätä laitetta ilman hallintaa. Kun kuuman veden määrä on haluamasi taso, paina Manuaalinen kahvikuppi -painiketta (4) uudelleen lopettaaksesi virran poistumisen kuumasta vedestä. Jos joudut pysäyttämään veden virtauksen heti, paina manuaalinen kahvikuppi -painiketta (4) uudelleen.
6. Kun olet valmis, sammuta höyryruppi (10) ja paina virtapainiketta (3) pois päältä.
7. Kuumaa vettä voidaan käyttää kuppien juomiseen, puhdistamiseen tai kuumentamiseen ennen kahvin kaatamista.

## Puhdistus ja huolto

1. Sammuta virtapainike (3), irrota se pistorasiasta ja puhdista laite jäähdytyksen jälkeen.
  2. Tyhjennä vesisäiliö (9) käytön jälkeen. Puhdista vesisäiliö (9) ajoittain kostealla sienellä tai liinalla.
  3. Irrota suodatin (18) ja poista käytetty kahvi suodattimesta. Jos suodattimen reiät ovat tukkeutuneet kahville, puhdista se harjalla. Voit kiertää kahvisuppilon (20) ja puhdistaa kahvijauheet suodatinkotelossa (17).
  4. Kupit, vesisäiliö (9), tippuverkko (6), irrotettava tippa-astia (7), suodatin (15 + 16 + 17 + 18 + 20) voidaan pestä vedessä miedolla pesuaineella ilman hankaavia aineita tai liuottimia. Ulkoiset osat tulee puhdistaa pehmeällä liinalla tai sienellä. Erittäin hankaavat puhdistusaineet tai harjat voivat aiheuttaa pintanaarmuja.
- Huomaa: Älä käytä alkoholia tai liuotinpuhdistusainetta äläkä upota konetta puhdistukseen veteen.

## kalkkisuuden

Jos kahvin valmistus kestää kauemmin kuin käytön alussa tai höyrysuutin (13) ei tuota höyryä, laite on poistettava kalkista. Jos käytetään kovaa vettä, laitteesta on poistettava kalkki, sen käytön jälkeen noin 40 kertaa. Jos käytetään pehmeää vettä, koneesta voidaan poistaa kalkki, kun sitä on käytetty noin 80 kertaa. Espressoittimen nestekalkinpoistoainetta voidaan käyttää laitteen kalkinpoistoon. Varmista ennen kalkinpoistoa, että laite on irrotettu virtalähteestä.

- 1) Kaada noin 250 ml haaleaa vettä ja lisää sitten 250 ml espressokoneen nestekalkinpoistoainetta.
- 2) Aseta suodatin (15 + 16 + 17 + 18 + 20) lukittuun asentoon laitteeseen. Aseta sitten kylmällä vedellä puoliiksi täytetty kuppi höyrysuuttimen (13) alle ja tyhjä kuppi suodatussuppilon (20) alle.
- 3) Kytke laite virtalähteeseen.
- 4) Paina virtapainiketta (3).
- 5) Paina sitten Auto Single Cup -painiketta (1).
- 6) Kun kalkinpoistoaine alkaa valua tyhjään kuppiin, aseta höyrysuuttimen (13) kärki kylmällä vedellä täytettyyn kuppiin ja paina höyryn painiketta (5).
- 7) Odota muutama sekunti ja sammuta laite. Kalkinpoiston jälkeen laite on huuhdeltava kolme kertaa puhtaalla vedellä. Toista tämä toistamalla vaiheet 1-7 täyttämällä vesisäiliö (9) vain puhtaalla vedellä.

## Ongelmien kartoittaminen

Oire: Ei vettä / ei höyryä

Syy 1: Onko vesisäiliössä (9) vettä sisällä / onko se paikoillaan?

Ratkaisu 1: Lisää vettä säiliöön (9).

Syy 2: Koneeseen ei liisätä vettä etukäteen.

Ratkaisu 2: Veden lisäystapa: paina manuaalisen kahvikupin painiketta (4), pumppu alkaa pumputtaa vettä laitteeseen, paina manuaalisen kahvikupin painiketta (4) muutaman sekunnin kuluttua.

Syy 3: Kone ei lämmitä loppuun.

Ratkaisu 3: Odota. Kone voi tehdä kahvia lämpenemisen jälkeen. Lämpeneminen on valmis, kun merkkivalo (19) muuttuu sinisestä vilkkuvasta jatkuvasti sinisessä palaa.

Oire: Ei höyryä

Syy 1: Höyryaukko tukossa

Ratkaisu 1: Pistä pieni höyrysuuttimen (13) pohjassa oleva reikä pienellä langalla, puhdista se tällä tavalla.

Ratkaisu 2. Kun maitovahto on valmis, puhdista höyryputki kuumalla vedellä.

Oire: Huono maitovahto

Syy 1: Onko se täysmaitoa?

Ratkaisu 1: Käytä täysmaitoa.

Oire: Huono maitovahto

Syy 1: Höyryn painike (5) alkaa vaahtoa maitovaahtoa ennen laitteen lämpenemistä kokonaan.

Ratkaisu 1: Odota. Aloita höyrytys sen jälkeen kun merkkivalo (19) muuttaa värin punaisesta vilkkuvasta jatkuvaksi punaiseksi.

## TEKNISET TIEDOT:

Tilavuus max: 1,6 litraa

Jännite: 220 - 240 V ~ 50/60 Hz

Teho: 850W

Teho Max: 1000W

Paine: 15 baaria



Kantakaamme huolta ympäristöstä. Pahvipakkauksen pyydämme laittamaan paperikierrätykseen. Polyeteenipussit (PE) tulee laittaa muovien kierrätysastiaan. Loppuun käytetyt laitteet tulee toimittaa asianmukaiseen keräyspisteeseen, koska laitteen sisältämät vaaralliset aineosat voivat olla ympäristölle vahingollisia. Sähkölaite tulee toimittaa siten, että sen uudelleenkäyttö on estetty. Jos laitteessa on paristo, paristo tulee poistaa ja toimittaa erillisesti keräyspisteeseen.

## KARTA GWARANCYJNA

WARUNKI GWARANCJI obowiązują na terenie Rzeczypospolitej Polskiej

Adler Sp. z o.o. ul. Ordon 2a 01-237 Warszawa zapewnia Użytkownika o dobrej jakości sprzętu, na który wydana jest niniejsza karta gwarancyjna i udziela 24 miesięcznej gwarancji, która liczy się od daty zakupu sprzętu. Usługi gwarancyjne świadczone są po okazaniu prawidłowo wypełnionej karty gwarancyjnej i dowodu zakupu (kopii paragonu lub faktury VAT). Wady lub uszkodzenia sprzętu ujawnione w okresie gwarancji usuwane będą bezpłatnie przez Serwis Centralny. W przypadku zakupu sprzętu przez przedsiębiorcę (faktura VAT) okres gwarancji wynosi 12 miesięcy.

W przypadku wymiany rzeczy na nową, albo po dokonaniu istotnej naprawy, okres gwarancji biegnie na nowo od chwili dostarczenia klientowi rzeczy wolnej od wad, lub zwrócenia rzeczy naprawionej. Jeżeli gwarant wymienił część rzeczy, przepis powyższy stosuje się odpowiednio do części wymienionej. Gwarant zobowiązuje się pokryć koszty dostarczenia rzeczy do serwisu na adres wskazany w karcie gwarancyjnej. Jednakże uprawniony z gwarancji powinien zachować rozsądek, wybierając środek transportu. Uprawnionemu z gwarancji nie przysługuje od gwaranta zwrot kosztów dostarczenia towaru – rzeczy do naprawy gwarancyjnej, przekraczający ekonomicznie uzasadnione koszty przewozu.

UWAGA: Sprzęt przeznaczony jest wyłącznie do użytku domowego. Naprawami gwarancyjnymi nie są objęte czynności związane z odkamienianiem, konserwacją, czyszczeniem urządzenia oraz części i akcesoria ulegające zużyciu przy normalnym użytkowaniu. Gwarancja nie obejmuje mechanicznych uszkodzeń sprzętu oraz wad i uszkodzeń wynikłych wskutek:

- niewłaściwego lub niezgodnego z instrukcją użytkowania, przechowywania i konserwacji;
- ingerencji nieautoryzowanego serwisu, samowolnych napraw, przeróbek i zmian konstrukcyjnych;
- użycia niewłaściwych materiałów eksploatacyjnych.
- uszkodzeń mechanicznych, termicznych, chemicznych i powstałych na skutek przepięcia w sieci.
- karta gwarancyjna jest nieważna bez daty zakupu, pieczęci sprzedającego i kopii dokumentu zakupu.
- gwarancją nie są objęte elementy eksploatacyjne i akcesoria w tym: elementy szklane (np. dzbanki, talerze), sznury przyłączeniowe, sieciowe, żarówki, baterie, nożyki i folie do urządzeń tnących, nasadki miksujące, trzepaki, mieszaki, ssawkoszczotki, rury, węże, kubki miksujące, głowice tnące i sita.

Reklamowany sprzęt jest dostarczany do Serwisu Centralnego przez Klienta w stanie kompletnym i odpowiednio zabezpieczony na czas transportu. Po dokonanej naprawie reklamowany sprzęt odbierany jest z Serwisu Centralnego przez Klienta.

Termin usunięcia wady może zostać wydłużony o czas potrzebny do importu niezbędnych części, nie dłuższy niż 30 dni roboczych. W każdym takim przypadku warsztat serwisowy powiadomi klienta o wydłużeniu terminu naprawy gwarancyjnej. W związku z koniecznością sprowadzenia części zamiennych i poinformuje o nowym terminie usunięcia wady.

W przypadku stwierdzenia usterki należy ją zgłosić w punkcie sprzedaży lub w Serwisie Centralnym, ul. Ordon 2A, 01-237 Warszawa, tel. 728-595-006 lub e-mail: [serwis@adler.com.pl](mailto:serwis@adler.com.pl).

W zgłoszeniu proszę podać swój adres, nr telefonu i opis usterki. Do reklamacji konieczne jest dołączenie kopii dokumentu zakupu.

Gwarancja nie wyłącza ani nie ogranicza oraz nie zawiesza uprawnień kupującego wynikających z przepisów o rękojmi za wady rzeczy sprzedanej.

### SERWIS CENTRALNY

01-237 Warszawa ul.Ordon 2A

tel. 728 - 595 - 006

[serwis@adler.com.pl](mailto:serwis@adler.com.pl) [www.adler.com.pl](http://www.adler.com.pl)

.....  
(data sprzedaży)

.....  
(pieczętka sklepu i podpis sprzedawcy)

adnotacje serwisu:



### W trosce o środowisko..

Opakowania kartonowe prosimy przekazać na makulaturę. Worki polietylenowe (PE) wrzucać do pojemnika na plastik. Zużyte urządzenie należy oddać do odpowiedniego punktu składowania, gdyż znajdujące się w urządzeniu niebezpieczne składniki mogą stanowić zagrożenie dla środowiska. Urządzenie elektryczne należy oddać tak aby ograniczyć jego ponowne użycie i wykorzystanie. Jeżeli w urządzeniu znajdują się baterie należy je wyjąć i oddać do punktu składowania osobno.



**Urządzenia nie wyrzucać do pojemnika na odpady komunalne!!**

## OGÓLNE WARUNKI BEZPIECZEŃSTWA WAŻNE INSTRUKCJE DOTYCZĄCE BEZPIECZEŃSTWA UŻYTKOWANIA PRZECZYTAJ UWAŻNIE I ZACHOWAJ NA PRZYSZŁOŚĆ POLSKI

1. Przed rozpoczęciem użytkowania urządzenia przeczytać instrukcję obsługi i postępować według wskazówek w niej zawartych.
2. Urządzenie służy wyłącznie do użytku domowego. Nie używać do innych celów, niezgodnych z jego przeznaczeniem.
3. Urządzenie należy podłączyć wyłącznie do gniazdka z uziemieniem 220-240 V ~ 50/60 Hz. W celu zwiększenia bezpieczeństwa użytkownika do jednego obwodu prądu nie należy równocześnie włączać wielu urządzeń elektrycznych.
4. Należy zachować szczególną ostrożność podczas korzystania z urządzenia, gdy w pobliżu przebywają dzieci.
5. **OSTRZEŻENIE:** Niniejszy sprzęt może być użytkowany przez dzieci powyżej 8 roku życia oraz osoby o ograniczonej zdolności fizycznej, czuciowej lub psychicznej, lub osoby nie mające doświadczenia lub znajomości sprzętu, jeśli odbywa się to pod nadzorem osoby odpowiedzialnej za ich bezpieczeństwo lub zostały im udzielone wskazówki na temat bezpiecznego użytkowania urządzenia i mają świadomość niebezpieczeństwa związanego z jego użytkowaniem. Dzieci nie powinny bawić się sprzętem. Czyszczenie i konserwacja urządzenia nie powinna być wykonywana przez dzieci, chyba że są powyżej 8 roku życia a czynności te są wykonywane pod nadzorem.
6. Zagotuj wodę w zbiorniku i wylej dwukrotnie aby pozbyć się zapachu przed pierwszym użyciem.
7. Zawsze po zakończeniu używania, wyjmij wtyczkę z gniazda zasilającego poprzez przytrzymanie gniazdka ręką.
8. Przy wyciąganiu wtyczki z gniazda nigdy nie ciągnij za przewód zasilający tylko za wtyczkę.
9. Nie wystawiaj urządzenia na działanie warunków atmosferycznych (deszczu, słońca, etc.) ani nie używaj w warunkach podwyższonej wilgotności (łazienki, wilgotne domki kempingowe).
10. Nie zanurzać kabla, wtyczki oraz całego urządzenia w wodzie lub innej cieczy.
11. Okresowo sprawdzaj stan przewodu zasilającego. Jeżeli przewód zasilający jest uszkodzony, to powinien on być wymieniony przez specjalistyczny zakład naprawczy w celu uniknięcia zagrożenia.
12. Nie używaj urządzenia z uszkodzonym przewodem zasilającym lub jeśli zostało upuszczone lub uszkodzone w jakikolwiek inny sposób lub nieprawidłowo pracuje. Nie naprawiaj urządzenia samodzielnie, gdyż grozi to porażeniem. Uszkodzone urządzenie oddaj do właściwego punktu serwisowego w celu sprawdzenia lub dokonania naprawy. Wszelkich napraw mogą dokonywać wyłącznie uprawnione punkty serwisowe. Nieprawidłowo wykonana naprawa może spowodować poważne zagrożenie dla użytkownika.
13. Należy stawiać urządzenie na chłodnej stabilnej, równej powierzchni, z dala od nagrzewających się urządzeń kuchennych jak: kuchenka elektryczna, palnik gazowy, itp.
14. Nie korzystaj z urządzenia w pobliżu materiałów łatwopalnych.

15. Przewód zasilania nie może zwisać poza krawędź stołu lub dotykać gorących powierzchni. Producent nie odpowiada za szkody spowodowane użytkowaniem urządzenia niezgodnie z jego przeznaczeniem lub niewłaściwą jego obsługą. Nie należy dopuszczać dzieci do zabawy urządzeniem nie pozwól dzieciom ani osobom nie zaznajomionym z urządzeniem na jego użytkowanie.

16. Nie wolno pozostawiać włączonego urządzenia ani zasilacza do gniazdka bez nadzoru.

17. Do zapewnienia dodatkowej ochrony, wskazane jest zainstalowanie w obwodzie elektrycznym, urządzenia różnicowoprądowego (RCD) o znamionowym prądzie różnicowym nie przekraczającym 30 mA. W tym zakresie należy zwrócić się do specjalisty elektryka.

18. Nigdy nie używaj urządzenia bez wody! Grozi to jego uszkodzeniem.

19. Nigdy nie kieruj strumienia gorącej pary lub wody w kierunku ciała.

20. Nigdy nie używaj urządzenia z wodą gazowaną!!!

21. Nigdy nie pozostawiaj urządzenia w temperaturze poniżej 0 stopinii Celsjusza, gdyż grozi to jego uszkodzeniem.

22. Przed napełnieniem zbiornika wodą zawsze odłącz urządzenie od prądu.

23. Regularnie czyść i dokonuj przeglądów urządzenia aby zapewnić jakość uzyskiwanej kawy i przedłużyć żywotność urządzenia.

24. Przed czyszczeniem zawsze odłącz źródło prądu i zaczekaj, aby wszystkie gorące części ostygły. Urządzenie powinno być czyszczone delikatnym detergentem bez zawartości substancji ściernych. Nigdy nie używaj rozpuszczalnika do czyszczenia, gdyż mogłoby to uszkodzić warstwę farby.

25. Do odkamieniania ekspresu używaj odkamieniacza w płynie przeznaczonego do ekspresów ciśnieniowych.

26. W trakcie użytkowania nigdy nie dotykaj obudowy filtra lub dyszy do spieniania mleka, gdyż grozi to oparzeniem.

27. Używaj tylko oryginalnych akcesoriów.

28. Nie przestawiaj i nie przenoś urządzenia podczas pracy.

To urządzenie ma klasyczne funkcje włoskiego skoncentrowanego espresso i kawy cappuccino. Bogaty aromat kawowy i pianka, łatwy w obsłudze i bezpieczny, wygodny do czyszczenia.

#### OPIS PRODUKTU: EKSPRES DO KAWY CR4410

- |   |   |
|---|---|
| 1. Auto Single Cup - Przycisk automatycznego przygotowania 1 filiżanki kawy | 4. Przycisk ręcznego przygotowania filiżanki kawy |
| 2. Auto Double Cup - Przycisk automatycznego przygotowania 2 filiżanek kawy | 6. Kratka na skropliny                            |
| 3. Przycisk zasilania   | 8. Pokrywa zbiornika wody                         |
| 5. Przycisk pary (do spieniania mleka)                                      | 10. Pokrętko pary                                 |
| 7. Wyjmowana tacka ociekowa   | 12. Uchwyt dyszy parowej                          |
| 9. Zbiornik wody 1600 ml  | 14. Łyżka do odmierzenia kawy                     |
| 11. Obudowa   | 16. Klips przytrzymujący filtr                    |
| 13. Dysza parowa  | 18. Filtr do kawy mielonej na 1 filiżankę         |
| 15. Uchwyt filtra   | 20. Lejek   |
| 17. Obudowa filtra  | 22. Znak blokady                                  |
| 19. Wskaźnik świetlny   | 24. Filtr do kawy mielonej na 2 filiżanki         |
| 21. Znak odblokowania   |   |
| 23. Znak funkcji gorącej wody   |   |

#### Instrukcja obsługi

Przed pierwszym użyciem

Po rozpakowaniu urządzenia sprawdź czy wszystkie przyciski są dostępne, a pokrętko pary (10) jest wyłączane w pozycji „OFF”. Przed



zastosowaniem wytrzyj urządzenie (patrz „Czyszczenie i konserwacja”).

1. Wyjmij zbiornik na wodę (9), wlej wodę do zbiornika na wodę (9), poziom wody nie powinien przekraczać znaku „MAX”. Zaleca się stosowanie przefiltrowanej wody. Zapobiega to gromadzeniu się wapna i poprawia smak przygotowanej kawy. Nie używaj wody gazowanej.
2. Dwukrotnie przepuść gorącą wodę (instrukcja poniżej), aby usunąć fabryczny zapach nowości przed pierwszym użyciem.
3. Podłącz i naciśnij przycisk zasilania (3). W tym momencie wskaźnik świetlny (19) miga na niebiesko. Naciśnij przycisk ręcznej filiżanki kawy (4), aby uruchomić pompę, pompując wodę ze zbiornika wody do urządzenia w celu podgrzania.
4. Urządzenie zaczyna się wstępnie nagrzewać, w tym momencie wskaźnik świetlny (19) miga na niebiesko; kiedy niebieskie światło przestaje migać i włącza ciągle niebieskie światło, rozgrzewanie jest zakończone, zajmuje to około 2 minut.
5. Naciśnij przycisk Auto Single Cup (1), aby wypuścić gorącą wodę do mycia filtra kawy (18).
6. Powtórz czynności z punktów 3, 4, 5 powyżej.
7. Opróżnij skropliny z wody i kawy z wymowanej tacki ociekowej (7) regularnie.

Jak zrobić kawę espresso?

Podłącz urządzenie do zasilania i naciśnij przycisk zasilania (3). W tym momencie wskaźnik świetlny (19) miga na niebiesko, poczekaj aż przestanie migać, wówczas urządzenie zakończy nagrzewanie i będzie gotowe do użycia.

1. Podczas podgrzewania urządzenia można włożyć zmieloną kawę (należy użyć drobnego proszku, niezbyt grubego, zbyt drobnego) do filtra mielonej kawy (18). Do jednej filiżanki espresso użyj jednej miarki (14) swojej ulubionej kawy mielonej. Do dwóch filiżanek espresso użyj 1,5 miarki (14) swojej ulubionej kawy mielonej. Następnie użyj uchwytu miarki (14), aby mocno docisnąć; jednocześnie wytrzyj proszek kawowy na krawędzi filtra (18). Można również użyć filtra (24) odpowiedniego dla 2 filiżanek kawy mielonej.

2. Włóż filtr wypełniony kawą mieloną (18) do obudowy filtra (17), trzymając za uchwyt filtra (15). Zamontuj filtr z kawą mieloną pod znakiem odblokowania (21), następnie przesun go w prawą stronę, aby zablokować, tuż pod znakiem blokady (22), a następnie umieść filiżankę kawy (lub 2 filiżanki) pod lejkiem (20).

3. Ustaw pozycję filiżanki kawy (lub 2 filiżanki jednocześnie), pozwól kawie przepływać po ściankach filiżanki.

4. Naciśnij:

- przycisk Auto Single Cup (1), usłyszysz dźwięk di-di, a następnie zacznie wypływać kawa do filiżanki. Kawa przestaje wypływać automatycznie, usłyszysz dźwięk di-di-di-di-di. Pojedyncza kawa ma pojemność około 100 ml.
  - przycisk Auto Double Cup (2), usłyszysz dźwięk di-di, a następnie zacznie wypływać kawa do 2 filiżanek jednocześnie. Kawa przestaje wypływać automatycznie, usłyszysz dźwięk di-di-di-di-di.
  - przycisk ręcznej filiżanki kawy (4) do nalewania kawy tak długo, jak chcesz. Gdy ilość kawy osiągnie pożądaną poziom, ponownie naciśnij przycisk ręcznej filiżanki kawy (4), aby zatrzymać wypływanie kawy. Nie pozostawiaj urządzenia bez kontroli, grozi to przelaniem kawy.
5. Poczekaj minutę na skapnięcie kawy, kawa jest gotowa.

Funkcja spieniania mleka parą

1. Naciśnij przycisk pary (5), wskaźnik świetlny (19) zmieni kolor na czerwony i zacznie migać, gdy czerwone światło zmieni się z migającego na ciągle czerwone, podgrzewanie jest zakończone.
2. Ilość pary można regulować w zależności od umiejętności danej osoby. Przed spienieniem pianki mlecznej należy wypuścić wodę z dyszy parowej (13). Zaleca się wlewać mleko do wysokości 1/3 dzbanka, włożyć dyszę parową (13) do mleka na głębokości 1 cm, a następnie powoli odkręcać pokrętko pary (10), aż para zacznie wydobywać się. Możesz lekko kołysać dzbankiem, ale nie dotykaj dna dzbanka dyszą parową (13).
3. Gdy temperatura mleka osiągnie około 75 stopni Celsjusza, a pianki mleka zacznie przybywać, można obrócić pokrętko pary (10) do pozycji „OFF” i wyłączyć przycisk pary (5), wskaźnik świetlny (19) zmieni kolor na niebieski, naciśnij bezpośrednio przycisk zasilania (3), aby wyłączyć urządzenie.

Po zakończeniu spieniania mleka oczyść mleko na powierzchni dyszy parowej wilgotną ściereczką i spryskaj parą, aby zapobiec wyschnięciu mleka i zablokowaniu odpowietrznika.

Jak zrobić kawę cappuccino?

1. Przygotuj kubki o większej pojemności odpowiednie do kawy cappuccino.
2. Przygotuj kawę zgodnie z punktami 1-5 opisanymi w części: Jak zrobić kawę espresso?
3. Przygotuj piankę mleczną zgodnie z punktami 1-3 opisanymi w części: Funkcja spieniania mleka parą.
4. Następnie potrząśnij dzbankiem na stole, aby pianka mleczna została całkowicie wymieszana i wlej ją do filiżanki z kawą.

Funkcja gorącej wody

1. Naciśnij przycisk zasilania (3).
2. Urządzenie zaczyna się wstępnie nagrzewać, w tym momencie wskaźnik świetlny (19) miga na niebiesko; kiedy niebieskie światło przestaje migać i włącza ciągle niebieskie światło wówczas rozgrzewanie jest zakończone, zajmuje to około 2 minut.
3. Ustaw filiżankę pod dyszą parą (13).
4. Przekręć pokrętko pary (10) wtedy dyszą parą (13) wypłynie gorąca woda. Pokrętko powinno przekraczać położenie znaku funkcji gorącej wody (23).
5. Naciśnij:
  - przycisk Auto Single Cup (1), usłyszysz dźwięk di-di, a następnie zacznie wypływać gorąca woda - około 150 ml - do twojego kubka. Woda przestanie wypływać automatycznie, usłyszysz dźwięk di-di-di-di-di. Jeśli musisz natychmiast zatrzymać wypływ wody, ponownie naciśnij przycisk Auto Single Cup (1).

- przycisk Auto Double Cup (2), usłyszysz dźwięk di-di, a następnie zaczniesz wypływać woda - około 250 ml - do twojego kubka. Woda przestanie wypływać automatycznie, usłyszysz dźwięk di-di-di-di. Jeśli musisz natychmiast zatrzymać wypływ wody, ponownie naciśnij przycisk Auto Double Cup (2).

- przycisk ręcznego przygotowania filiżanki kawy (4) służy do pobrania ciepłej wody tak długo, jak potrzeba. Nie pozostawiaj urządzenia bez kontroli. Gdy ilość ciepłej wody osiągnie pożądany poziom, ponownie naciśnij przycisk ręcznego przygotowania filiżanki kawy (4), aby zatrzymać wypływ gorącej wody. Jeśli musisz zatrzymać wypływ wody, natychmiast naciśnij ponownie przycisk (4).

6. Po zakończeniu wyłącz pokrętko pary (10), a następnie wyłącz przycisk zasilania (3).

7. Gorącej wody można używać do picia, czyszczenia lub podgrzewania filiżanek przed waniem kawy.

#### Czyszczenie i konserwacja

1. Wyłącz przycisk zasilania (3), odłącz go od zasilania i wyczyść urządzenie po całkowitym ostygnięciu.

2. Po użyciu zawsze opróżnij zbiornik wody (9). Od czasu do czasu czyść zbiornik na wodę (9) wilgotną gąbką lub szmatką.

3. Odłącz filtr (18) i wyjmij zużyta kawę z filtra. Jeśli otwory filtra są zatkane kawą, wyczyść je za pomocą szczotki. Możesz odkręcić lejek do kawy (20) i wyczyścić fusy z kawy w obudowie filtra (17).

4. Filiżanki, zbiornik na wodę (9), kratka ociekowa (6), wyjmowana taca ociekowa (7), filtr (15 + 16 + 17 + 18 + 20) mogą być myć w wodzie z dodatkiem łagodnego detergentu bez substancji ściernych lub rozpuszczalników. Części zewnętrzne należy czyścić miękką szmatką lub gąbką. Silnie ściernie środki czyszczące lub szczotki mogą powodować zarysowania powierzchni.

Uwaga: Nie używaj alkoholu ani rozpuszczalników, ani nie zanurzaj urządzenia w wodzie do czyszczenia.

#### ODKAMIANIANIE

Jeśli parzenie kawy trwa dłużej niż na początku użytkowania lub dysza parowa (13) nie wytwarza pary, urządzenie należy odkamienić. Jeśli używana jest twarda woda, urządzenie należy odwapnić po około 40-krotnym użyciu. Jeśli używana jest miękka woda, urządzenie można odwapnić po użyciu około 80 razy. Do odwapnienia urządzenia można użyć płynnego odkamieniacza do ekspresu do kawy. Przed odwapnieniem upewnij się, że urządzenie jest odłączone od zasilania.

1) Wlej około 250 ml letniej wody, a następnie dodaj 250 ml odkamieniacza w płynie do ekspresu do kawy.

2) Umieść filtr (15 + 16 + 17 + 18 + 20) w pozycji zablokowanej w urządzeniu. Następnie umieść filiżankę napełnioną do połowy zimną wodą pod dyszą pary (13), a pustą filiżankę pod lejkiem filtra (20).

3) Podłącz urządzenie do źródła zasilania.

4) Naciśnij przycisk zasilania (3).

5) Następnie naciśnij przycisk Auto Single Cup (1).

6) Gdy odkamieniacz zacznie spływać do pustej filiżanki, włóż końcówkę dyszy pary (13) do filiżanki wypełnionej zimną wodą i naciśnij przycisk pary (5).

7) Poczekaj kilka sekund i wyłącz urządzenie. Po odwapnieniu urządzenie należy trzykrotnie przepłukać czystą wodą. W tym celu powtórz kroki od 1 do 7, napełniając zbiornik wody (9) wyłącznie czystą wodą.

#### ROZWIĄZYWANIE PROBLEMÓW

Objaw: Brak wody / brak pary

Powód 1: Czy zbiornik wody (9) ma wodę w środku / jest na swoim miejscu?

Rozwiązanie 1: Dodaj wodę do zbiornika (9).

Powód 2: Woda nie jest z góry dodawana do urządzenia.

Rozwiązanie 2: Metoda dodawania wody: naciśnij przycisk ręcznego przygotowania filiżanki kawy (4), pompa zacznie pompować wodę do urządzenia, naciśnij przycisk ręcznej filiżanki kawy (4) po kilku sekundach.

Powód 3: Urządzenie nie kończy podgrzewania.

Rozwiązanie 3: Zaczekaj. Urządzenie może zaparzyć kawę po zakończeniu nagrzewania, czyli wówczas gdy wskaźnik świetlny (19) zmieni się z niebieskiego migającego i na ciągle świecący na niebiesko.

Objaw: Brak pary

Powód 1: Otwór pary zablokowany

Rozwiązanie 1: Użyj małego drutu, aby wbić mały otwór w dolnej części dyszy parowej (13), wyczyść go w ten sposób.

Rozwiązanie 2. Po zakończeniu spieniania mleka wykonaj funkcję gorącej wody, aby wyczyścić rurkę pary.

Objaw: Zła pianka mleczna

Powód 1: Czy to mleko jest pełnotłuste?

Rozwiązanie 1: Użyj pełnotłustego mleka.

Objaw: Złej jakości pianka mleczna

Powód 1: Przycisk pary (5) zaczyna spieniać piankę mleczną, zanim urządzenie całkowicie się nagrzeje.

Rozwiązanie 1: Poczekaj. Rozpocznij spienianie mleka, gdy wskaźnik świetlny (19) zmieni kolor z czerwonego migającego na ciągle czerwony.

#### DANE TECHNICZNE:

Pojemność max: 1,6 litra

## CONDIZIONI GENERALI DI SICUREZZA IMPORTANTI ISTRUZIONI DI SICUREZZA. LEGGERE ATTENTAMENTE E SALVARE PER IL FUTURO

1. Prima di utilizzare il dispositivo, leggere il manuale operativo e seguire le istruzioni in esso contenute.
2. Il dispositivo è solo per uso domestico. Non utilizzare per altri scopi diversi da quelli previsti.
3. Il dispositivo deve essere collegato solo a una presa con messa a terra 220-240 V ~ 50/60 Hz. Per aumentare la sicurezza operativa, non collegare più dispositivi elettrici contemporaneamente a un circuito di corrente.
4. Usare estrema cautela quando si usa il dispositivo quando i bambini sono nelle vicinanze.
5. **AVVERTENZA:** questa apparecchiatura può essere utilizzata da bambini di età superiore a 8 anni e persone con ridotta capacità fisica, sensoriale o mentale o persone che non hanno esperienza o conoscenza dell'attrezzatura, se ciò viene fatto sotto la supervisione di una persona responsabile per la loro sicurezza o hanno ricevuto loro informazioni sull'uso sicuro del dispositivo e sono consapevoli dei pericoli connessi all'uso. I bambini non devono giocare con l'attrezzatura. La pulizia e la manutenzione del dispositivo non devono essere eseguite da bambini, a meno che non abbiano più di 8 anni e queste attività siano svolte sotto controllo.
6. Bollire l'acqua nel serbatoio e versarla due volte per eliminare l'odore prima del primo utilizzo.
7. Rimuovere sempre la spina dalla presa di corrente dopo l'uso tenendo la presa con la mano dopo l'uso.
8. Quando si rimuove la spina dalla presa, non tirare mai il cavo di alimentazione ma la spina.
9. Non esporre il dispositivo a condizioni atmosferiche (pioggia, sole, ecc.) O utilizzare in condizioni di elevata umidità (bagni, case mobili umide).
10. Non immergere il cavo, la spina e il dispositivo in acqua o altri liquidi.
11. Controllare periodicamente le condizioni del cavo di alimentazione. Se il cavo di alimentazione è danneggiato, deve essere sostituito da un'officina specializzata per evitare pericoli.
12. Non utilizzare il dispositivo con un cavo di alimentazione danneggiato o se è stato fatto cadere o danneggiato in altro modo o se non funziona correttamente. Non riparare il dispositivo da soli, poiché esiste il rischio di scosse elettriche. Portare il dispositivo danneggiato in un centro di assistenza appropriato per il controllo o la riparazione. Tutte le riparazioni possono essere eseguite solo da punti di assistenza autorizzati. Le riparazioni eseguite in modo errato possono causare gravi pericoli per l'utente.
13. Collocare il dispositivo su una superficie fresca e stabile, lontano da elettrodomestici da

cucina caldi come: fornelli elettrici, bruciatori a gas, ecc.

14. Non utilizzare il dispositivo vicino a materiali infiammabili.

15. Il cavo di alimentazione potrebbe non pendere sul bordo di un tavolo o toccare superfici calde. Il produttore non è responsabile per danni causati dall'uso del dispositivo contrario allo scopo previsto o al funzionamento improprio. Non consentire ai bambini di giocare con il dispositivo, non consentire ai bambini o alle persone che non hanno familiarità con il dispositivo di usarlo.

16. Non lasciare il dispositivo acceso o l'adattatore incustodito quando incustodito.

17. Per fornire ulteriore protezione, si consiglia di installare un dispositivo a corrente residua (RCD) nel circuito elettrico con una corrente residua nominale non superiore a 30 mA.

Chiedi a un elettricista questo consiglio.

18. Non usare mai il dispositivo senza acqua! Potrebbe essere danneggiato

19. Non dirigere mai un flusso di vapore caldo o acqua verso il proprio corpo.

20. Non usare mai il dispositivo con acqua gassata !!!

21. Non lasciare mai il dispositivo a una temperatura inferiore a 0 gradi Celsius, in quanto potrebbe danneggiarlo.

22. Scollegare sempre la macchina prima di riempire il serbatoio con acqua.

23. Pulire e ispezionare regolarmente la macchina per garantire la qualità del caffè ottenuto e per prolungare la durata della macchina.

24. Scollegare sempre la fonte di alimentazione prima di pulirla e lasciare raffreddare tutte le parti calde. Il dispositivo deve essere pulito con un detergente delicato non abrasivo. Non utilizzare mai solventi per la pulizia poiché potrebbero danneggiare lo strato di vernice.

25. Per la decalcificazione della macchina, utilizzare un decalcificante liquido progettato per macchine da caffè a pressione.

26. Durante l'uso, non toccare mai l'alloggiamento del filtro o l'ugello di schiuma del latte, poiché esiste il rischio di ustioni.

27. Utilizzare solo accessori originali.

28. Non spostare o spostare il dispositivo durante il funzionamento.

Questa macchina ha le classiche funzioni dell'espresso italiano concentrato e del cappuccino. Aroma e schiuma ricchi di caffè, facili da usare e sicuri, facili da pulire.

#### DESCRIZIONE DEL PRODOTTO: MACCHINA CAFFÈ 'Cr44 10

- |  |   |
|--|---|
| 1. Auto Single Cup - pulsante per la preparazione automatica di 1 tazza di caffè |   |
| 2. Auto Double Cup - pulsante per la preparazione automatica di 2 tazze di caffè |   |
| 3. Pulsante di accensione  | 4. Pulsante manuale della tazza di caffè  |
| 5. Pulsante Steam  | 6. Griglia antigoccia                     |
| 7. Vaschetta raccogli gocce rimovibile   | 8. Coperchio del serbatoio dell'acqua     |
| 9. Serbatoio dell'acqua 1600 ml  | 10. Manopola vapore                       |
| 11. Alloggiamento principale   | 12. Maniglia dell'ugello vapore           |
| 13. Ugello vapore  | 14. Cucchiaino dosatore                   |
| 15. Maniglia del filtro  | 16. Clip di fissaggio del filtro          |
| 17. Alloggiamento del filtro   | 18. Filtro per caffè macinato per 1 tazza |
| 19. Indicatore luminoso  | 20. Imbuto                                |
| 21. Segno di sblocco   | 22. Segno di blocco                       |
| 23. Segno di funzione dell'acqua calda   | 24. Filtro per caffè macinato per 2 tazze |

## Istruzioni per l'uso

Prima di utilizzare per la prima volta

Dopo aver disimballato il dispositivo, verificare con tutti i pulsanti disponibili e la manopola del vapore (10) spenta in posizione "OFF".

Prima di applicare pulire il dispositivo (consultare Pulizia e manutenzione).

1. Rimuovere il serbatoio dell'acqua (9), versare l'acqua nel serbatoio dell'acqua (9), il livello dell'acqua non deve superare il segno "MAX". Si consiglia di utilizzare acqua filtrata. Ciò impedisce l'accumulo di calce e migliora il gusto del caffè preparato. Non usare acqua gassata.
2. Eseguire due volte l'acqua calda (istruzioni di seguito) per rimuovere il nuovo odore di fabbrica prima del primo utilizzo.
3. Collegare e premere il pulsante di accensione (3). A questo punto, l'indicatore luminoso (19) lampeggia in blu. Premere il pulsante Manual Coffee Cup (4) per far funzionare la pompa, pompando acqua dal serbatoio dell'acqua al dispositivo per il riscaldamento.
4. Il dispositivo inizia a preriscaldare, in questo momento, l'indicatore luminoso (19) lampeggia in blu; quando la luce blu smette di lampeggiare e accende un'illuminazione blu continua, il riscaldamento è completato, ci vogliono circa 2 minuti.
5. Premere il pulsante Auto Single Cup (1) per far uscire l'acqua calda per lavare il filtro del caffè (18).
6. Ripetere i passaggi 3, 4, 5 sopra.
7. Svuotare la condensa dall'acqua e dal caffè dalla vaschetta raccogli gocce rimovibile (7).

Come preparare un caffè espresso?

Collegare il dispositivo all'alimentazione e premere il pulsante di accensione (3). In questo momento la spia (19) lampeggia in blu, attendere fino a quando smette di lampeggiare, quindi il dispositivo finirà il riscaldamento e sarà pronto per l'uso.

1. Mentre il dispositivo si sta preriscaldando, è possibile inserire la polvere di caffè macinato (è necessario utilizzare la polvere fine, non troppo densa o troppo sottile) nel filtro del caffè macinato (18). Per una tazza di caffè espresso usa un misurino (14) del tuo caffè macinato preferito. Per due tazze da caffè espresso utilizzare 1,5 misurino (14) del tuo caffè macinato preferito. Quindi utilizzare la maniglia del misurino (14) per premerla saldamente; allo stesso tempo pulire la polvere di caffè sul bordo del filtro (18). È possibile utilizzare il filtro (24) adatto anche a 2 tazze di caffè macinato.
2. Inserire il filtro riempito con caffè macinato (18) nell'alloggiamento del filtro (17), tenerlo dalla maniglia del filtro (15). Inserire il filtro con caffè macinato sotto il segno di sblocco (21), quindi spostarlo sul lato destro per bloccarlo, proprio sotto il segno di blocco (22), quindi posizionare la tazza di caffè (o 2 tazze) sotto l'imbuto (20).
3. Regola la posizione della tazza di caffè (o 2 tazze contemporaneamente), lascia che il caffè scorra lungo la parete della tazza.
4. Premere:

- il pulsante Auto Single Cup (1), sentirai un suono di-di, quindi inizierà a fluire un caffè nella tua tazza. Le fermate del caffè scorrono automaticamente, sentirai il suono di-di-di-di-di. Il caffè singolo ha una capacità di circa 100 ml.

- il pulsante Auto Double Cup (2), sentirai il suono di-di, quindi inizia a far fluire il caffè a 2 tazze contemporaneamente. Le fermate del caffè scorrono automaticamente, sentirai il suono di-di-di-di-di.

- il pulsante Manual Coffee Cup (4) per far fuoriuscire il caffè quanto vuoi. Dopo che la quantità di caffè sarà al livello desiderato, premere di nuovo il pulsante Manual Coffee Cup (4) per interrompere il flusso del caffè. Non lasciare l'apparecchio incustodito, potrebbe fuoriuscire il caffè.

5. Attendere un minuto per la sgocciolatura del caffè e il caffè è pronto.

## Funzione di schiumatura a vapore

1. Premere il pulsante Steam (5), l'indicatore luminoso (19) diventerà rosso e lampeggerà, quando la luce rossa passa da lampeggiante a luce rossa continua, il preriscaldamento è completo.
  2. La quantità di vapore può essere regolata in base alla competenza dell'individuo. Prima di montare la schiuma di latte, è necessario rilasciare l'acqua nell'ugello del vapore (13). Si consiglia di versare il latte nell'alto 1/3 della brocca, inserire l'ugello del vapore (13) nel latte a 1 cm di profondità, quindi svitare lentamente la manopola del vapore (10) fino a quando il vapore inizia a espellere. È possibile oscillare leggermente la brocca, ma non toccare la parte inferiore della brocca con l'ugello del vapore (13).
  3. Quando la temperatura del latte raggiunge circa 75 gradi Celsius e la schiuma del latte inizia ad espandersi, ruotare la manopola del vapore (10) in posizione "OFF", spegnere il pulsante vapore (5) per rendere l'indicatore luminoso (19) diventa blu, premere direttamente il pulsante di accensione (3) per spegnere il dispositivo.
- Una volta completata la schiuma del latte, pulire il latte sulla superficie dell'ugello del vapore con un panno umido in tempo e spruzzare il vapore per evitare che il latte si asciughi e blocchi lo sfiato.

## Come si fa il cappuccino?

1. Preparare tazze di volume maggiore adatte al cappuccino.
2. Preparare il caffè secondo i punti 1-5 descritti in parte: Come preparare il caffè espresso?
3. Preparare la schiuma di latte secondo i punti 1-3 descritti in parte: Funzione di schiumatura a vapore.
4. Quindi agitare la brocca sul tavolo in modo che la schiuma di latte sia completamente miscelata e versarla nella tazza con il caffè.

## Funzione acqua calda

1. Premere il pulsante di accensione (3).
2. Il dispositivo inizia a preriscaldare, in questo momento, l'indicatore luminoso (19) lampeggia in blu; quando la luce blu smette di lampeggiare e accende un'illuminazione blu continua, il riscaldamento è completato, ci vogliono circa 2 minuti.
3. Posizionare la tazza sotto l'ugello del vapore (13).
4. Ruotare la manopola del vapore (10) fino a quando l'ugello del vapore (13) scorre fuori dall'acqua calda. La manopola dovrebbe

superare la posizione del segno funzione acqua calda (23).

5. Premere:

- il pulsante Auto Single Cup (1), sentirai un suono di-di, quindi inizierà a fuoriuscire acqua calda - circa 150 ml - nella tua tazza. Gli arresti dell'acqua scorrono automaticamente, sentirai il suono di-di-di-di-di. Se è necessario interrompere immediatamente il deflusso dell'acqua, premere nuovamente il pulsante Auto Single Cup (1).

- il pulsante Auto Double Cup (2), sentirai un suono di-di, quindi inizierà a defluire l'acqua - circa 250 ml - nella tua tazza. Gli arresti dell'acqua scorrono automaticamente, sentirai il suono di-di-di-di-di. Se è necessario interrompere immediatamente il deflusso dell'acqua, premere nuovamente il pulsante Auto Double Cup (2).

- il pulsante Manual Coffee Cup (4) per far defluire l'acqua calda per tutto il tempo necessario. Non lasciare il dispositivo senza controllo. Dopo che la quantità di acqua calda sarà al livello desiderato, premere nuovamente il pulsante Manual Coffee Cup (4) per interrompere il flusso di acqua calda. Se è necessario interrompere immediatamente il deflusso dell'acqua, premere nuovamente il pulsante Manual Coffee Cup (4).

6. Al termine, disattivare la manopola Steam (10), quindi premere il pulsante di accensione (3).

7. L'acqua calda può essere utilizzata per bere, pulire o riscaldare le tazze prima di versare il caffè.

Pulizia e manutenzione

1. Spegner il pulsante di accensione (3), scollegarlo e pulire il dispositivo dopo il completo raffreddamento.

2. Svuotare sempre il serbatoio dell'acqua (9) dopo l'uso. Di tanto in tanto, pulire il serbatoio dell'acqua (9) con una spugna o un panno umidi.

3. Staccare il filtro (18) e rimuovere il caffè usato dal filtro. Se i fori del filtro sono ostruiti dal caffè, utilizzare una spazzola per pulirlo. È possibile svitare l'imbuto del caffè (20) e pulire i fondi di caffè nell'alloggiamento del filtro (17).

4. Le tazze, il serbatoio dell'acqua (9), la griglia antigoccia (6), la vaschetta raccogli gocce rimovibile (7), il filtro (15 + 16 + 17 + 18 + 20) possono essere lavati in acqua con un detergente delicato senza sostanze abrasive o solventi. Le parti esterne devono essere pulite con un panno morbido o una spugna. Detergenti o spazzole altamente abrasivi possono causare graffi superficiali.

Nota: non utilizzare alcool o detergenti solventi e non immergere la macchina in acqua per la pulizia.

## DECALCIFICAZIONE

Se l'erogazione del caffè richiede più tempo rispetto all'inizio dell'uso o se l'ugello del vapore (13) non produce vapore, l'apparecchio deve essere decalcificato. Se si utilizza acqua dura, l'apparecchio deve essere decalcificato dopo essere stato utilizzato circa 40 volte. Se si utilizza acqua dolce, la macchina può essere decalcificata dopo che è stata utilizzata circa 80 volte. Il decalcificatore liquido della macchina per caffè espresso può essere utilizzato per decalcificare l'apparecchio. Prima di decalcificare, assicurarsi che il dispositivo sia disconnesso dall'alimentazione.

1) Versare circa 250 ml di acqua tiepida e quindi aggiungere 250 ml di decalcificante liquido per macchina per caffè espresso.

2) Posizionare il filtro (15 + 16 + 17 + 18 + 20) in posizione bloccata nel dispositivo. Quindi posizionare una tazza riempita per metà con acqua fredda sotto l'ugello del vapore (13) e una tazza vuota sotto l'imbuto del filtro (20).

3) Collegare il dispositivo all'alimentazione.

4) Premere il pulsante di accensione (3).

5) Quindi premere il pulsante Auto Single Cup (1).

6) Quando il decalcificatore inizia a fluire in una tazza vuota, inserire la punta dell'ugello del vapore (13) in una tazza riempita con acqua fredda e premere il pulsante del vapore (5).

7) Attendere qualche secondo e spegnere il dispositivo. Dopo la decalcificazione, il dispositivo deve essere risciacquato tre volte con acqua pulita. Per fare ciò, ripetere i passaggi da 1 a 7 riempiendo il serbatoio dell'acqua (9) solo con acqua pulita.

## Risoluzione dei problemi

Sintomo: nessuna acqua / nessun vapore

Motivo 1: se il serbatoio dell'acqua (9) contiene acqua / è in posizione?

Soluzione 1: aggiungere acqua al serbatoio (9).

Motivo 2: non è stata aggiunta anticipatamente acqua nella macchina.

Soluzione 2: metodo di aggiunta dell'acqua: premere il pulsante Manual Coffee Cup (4), la pompa inizia a pompare acqua nel dispositivo, premere il pulsante Manual Coffee Cup (4) dopo pochi secondi.

Motivo 3: la macchina non completa il preriscaldamento.

Soluzione 3: attendere. La macchina può preparare il caffè al termine del riscaldamento. Il riscaldamento è completato quando l'indicatore luminoso (19) cambia da blu lampeggiante a sempre blu.

Sintomo: nessun vapore

Motivo 1: foro vapore bloccato

Soluzione 1: utilizzare un filo piccolo per colpire il piccolo foro nella parte inferiore dell'ugello del vapore (13), pulirlo in questo modo.

Soluzione 2. Al termine della schiuma del latte, eseguire una funzione di acqua calda per pulire il tubo del vapore.

Sintomo: schiuma di latte difettosa

Motivo 1: è latte intero?

Soluzione 1: utilizzare latte intero.

Sintomo: schiuma di latte difettosa

Motivo 1: il pulsante vapore (5) inizia a montare la schiuma di latte prima che il dispositivo si riscaldi completamente.

Soluzione 1: attendere. Inizia a cuocere a vapore dopo che l'indicatore luminoso (19) cambia colore da rosso lampeggiante a rosso continuo.

#### DATI TECNICI:

Capacità massima: 1,6 litri

Voltaggio: 220-240 V ~ 50/60 Hz

Potenza: 850 W.

Potenza massima: 1000 W.

Pressione: 15 bar



Prendersi cura dell'ambiente

Gli imballi di cartone devono essere smaltiti nel contenitore per la carta. I sacchetti di polietilene (PE) vanno gettati nel contenitore per la plastica. L'apparecchio usato deve essere rottamato presso un centro di raccolta autorizzato, poiché contiene elementi pericolosi che potrebbero costituire una minaccia per l'ambiente. I dispositivi elettrici devono essere resi al fine di evitare il loro riutilizzo. Se il dispositivo contiene una batteria, deve essere rimossa e smaltita separatamente in un punto di raccolta.

Non gettare l'apparecchio nei contenitori dei rifiuti urbani!

(HR) HRVATSKI

## OPĆI UVJETI O SIGURNOSTI VAŽNE SIGURNOSNE UPUTE. MOLIM VAS DA PROČITAJTE pažljivo i uštedite za budućnost

1. Prije upotrebe uređaja, pročitajte upute za uporabu i slijedite upute sadržane u njemu.
2. Uređaj je namijenjen samo kućnoj uporabi. Ne koristite za druge svrhe koje nisu prema njegovoj predviđenoj namjeni.
3. Uređaj treba spojiti samo na uzemljenu utičnicu od 220-240 V ~ 50/60 Hz. Da bi se povećala operativna sigurnost, više električnih uređaja ne smije istovremeno biti povezano na jedan strujni krug.
4. Budite izuzetno oprezni kada koristite uređaj kada su djeca u blizini.
5. **UPOZORENJE:** Ovu opremu mogu koristiti djeca starija od 8 godina i osobe smanjene tjelesne, senzorne ili mentalne sposobnosti, ili ljudi koji nemaju iskustva ili znanje o uređaju, ako se to radi pod nadzorom odgovorne osobe zbog svoje sigurnosti ili su im odobreni podaci o sigurnoj upotrebi uređaja i svjesni su opasnosti upotrebe uređaja. Djeca se ne smiju igrati s opremom. Čišćenje i održavanje uređaja ne smiju obavljati djeca, osim ako imaju više od 8 godina i ove aktivnosti se izvode pod nadzorom.
6. Prokuhajte vodu u spremniku i dva puta je procijedite kako biste se oslobodili mirisa prije prve upotrebe.
7. Nakon upotrebe uvijek izvadite utikač iz utičnice držeći utičnicu rukom nakon uporabe.
8. Kad uklanjate utikač iz utičnice, nikada ne povlačite mrežni kabel, nego utikač.
9. Ne izlažite uređaj atmosferskim uvjetima (kiša, sunce itd.) I ne koristite u uvjetima visoke vlažnosti (kupaonice, vlažne kućice za mobilne uređaje).
10. Ne uranjajte kabel, utikač i uređaj u vodu ili bilo koju drugu tekućinu.
11. Povremeno provjeravajte stanje kabela za napajanje. Ako je mrežni kabel oštećen, zamijenite ga specijaliziranoj servisnoj službi kako biste izbjegli opasnost.
12. Ne koristite uređaj s oštećenim kablom za napajanje ili ako je ispao ili oštećen na bilo koji drugi način ili ako ne radi ispravno. Ne popravljajte uređaj sami jer postoji opasnost od električnog udara. Oštećeni uređaj odnesite u odgovarajući servisni centar radi provjere ili popravljanja. Sve popravke smiju obavljati samo ovlašteni servisi. Pogrešno izvedeni popravci mogu ozbiljno opasiti za korisnika.



13. Uređaj postavite na hladnu i stabilnu površinu, daleko od vrućih kuhinjskih uređaja kao što su: električni štednjak, plinski plamenik itd.
14. Ne koristite uređaj u blizini zapaljivih materijala.
15. Kabel napajanja možda ne visi preko ruba stola ili dodiruje vruće površine. Proizvođač ne odgovara za štetu nastalu upotrebom uređaja suprotno njegovoj predviđenoj namjeni ili nepravilnom radu. Ne dopustite djeci da se igraju s uređajem, ne dopustite djeci ili osobama koje nisu upoznate s uređajem.
16. Ne ostavljajte uređaj uključenim ili adapter bez nadzora bez nadzora.
17. Da biste osigurali dodatnu zaštitu, preporučljivo je u električni krug instalirati zaostalu struju (RCD), nazivna zaostala struja ne veća od 30 mA. Pitajte električara za ovaj savjet.
18. Nikada ne koristite uređaj bez vode! Može se oštetiti.
19. Nikada ne usmjeravajte mlaz vruće pare ili vode prema tijelu.
20. Nikada ne koristite uređaj s pjenušava vodom !!!
21. Nikada ne ostavljajte uređaj na temperaturi nižoj od 0 Celzijevih stupnjeva, jer može oštetiti.
22. Uvijek isključite stroj iz napajanja prije nego što spremnik napunite vodom.
23. Redovito čistite i pregledajte stroj kako biste osigurali kvalitetu dobivene kave i produžili životni vijek stroja.
24. Uvijek isključite izvor napajanja prije čišćenja i ostavite da se svi vrući dijelovi ohlade. Uređaj treba očistiti blagim neabrazivnim deterdžentom. Nikada ne koristite otapalo za čišćenje jer to može oštetiti sloj boje.
25. Za uklanjanje kamenca iz stroja koristite tekući sredstvo za uklanjanje kamenca, namijenjeno aparatima za pripremu kave pod pritiskom.
26. Za vrijeme uporabe nikada ne dirajte kućište filtra ili mlaznicu za prženje mlijeka jer postoji opasnost od opeklina.
27. Koristite samo originalnu opremu.
28. Ne pomičite i ne premještajte uređaj tijekom rada.

Ovaj stroj ima klasične funkcije talijanskog koncentriranog espressa i kave s kapućinom. Bogata aroma i pjena za kavu, jednostavan za rukovanje i siguran, jednostavan za čišćenje.

#### OPIS PROIZVODA: KAFEJSKI STROJ Cr4410

- |  |   |
|--|---|
| 1. Automatska pojedinačna šalica - gumb za automatsku pripremu 1 šalice kave | 4. Ručni gumb za šalicu kave            |
| 2. Auto dvostruka šalica - gumb za automatsku pripremu 2 šalice kave         | 6. Kapa rešetka                         |
| 3. Gumb za napajanje   | 8. Poklopac spremnika vode              |
| 5. Tipka pare  | 10. gumb za paru                        |
| 7. Uklonjiva ladica za kapanje   | 12. Ručica mlaznica na paru             |
| 9. Spremnik za vodu 1600ml   | 14. Mjerna žlica                        |
| 11. Glavno kućište   | 16. Držač filtera                       |
| 13. Parna mlaznica   | 18. Filter za mljevenu kavu za 1 šalicu |
| 15. Ručica filtra  | 20. Lijevak                             |
| 17. Kućište filtra   | 22. Oznaka za zaključavanje             |
| 19. Indikatori svjetla   | 24. Filter za mljevenu kavu za 2 šalice |
| 21. Oznaka za otključavanje  |   |
| 23. Oznaka funkcije tople vode   |   |

Uputa za uporabu  
Prije prve upotrebe

Nakon raspakiranja uređaja provjerite jesu li svi gumbi dostupni i je li parni gumb (10) isključen u položaju "OFF". Prije nanošenja obrišite uređaj (pogledajte Čišćenje i održavanje).

1. Izvadite spremnik vode (9), ulijte vodu u spremnik vode (9), razina vode ne smije prelaziti oznaku "MAX". Preporučuje se upotreba filtrirane vode. To sprječava nakupljanje vapna i poboljšava okus pripremljene kave. Ne koristite sodu vodu.
2. Dva puta napunite vruću vodu (upute ispod) za uklanjanje tvorničkih novih mirisa prije prve upotrebe.
3. Priključite i pritisnite gumb za uključivanje (3). U ovom trenutku svjetlosni indikator (19) treperi plavo. Pritisnite gumb za ručnu šalicu kave (4) da biste radili crpku, pumpajući vodu iz spremnika vode u uređaj za grijanje.
4. Uređaj se počinje predgrijavati, a svjetlosni pokazatelj (19) treperi plavo; kad plavo svjetlo prestane treptati i uključi stalno plavo osvjetljenje, zagrijavanje je završeno, potrebno je oko 2 minute.
5. Pritisnite gumb Automatska pojedinačna čaša (1) da biste vruću vodu isprali filtrom za kavu (18).
6. Ponovite gore navedene korake 3, 4, 5.
7. Ispraznite kondenzaciju iz vode i kave iz uklonjivog spremnika za kapanje (7).

Kako napraviti kavu za espresso?

Priključite uređaj na napajanje i pritisnite gumb za napajanje (3). U ovom trenutku lampica (19) treperi plavo, pričekajte da prestane treptati, a zatim će uređaj završiti grijanje i bit će spreman za upotrebu.

1. Dok se uređaj predgrijava, možete staviti mljeveni prah za kavu (trebali biste upotrijebiti fini prah, ne previše gust ili pretanak) u filter mljevene kave (18). Za jednu šalicu espressa koristite jednu mjernu žlicu (14) svoje omiljene mljevene kave. Za dvije šalice espressa koristite 1,5 mjernu žlicu (14) omiljene mljevene kave. Zatim ga čvrsto pritisnite ručicom mjerne žlice (14); istodobno obrišite kafe u prahu na rubu filtera (18). Možete upotrijebiti i filter (24) prikladan za 2 šalice mljevene kave.
2. Umetnite filter ispunjen mljevenom kavom (18) u kućište filtra (17), držite ga drškom filtera (15). Podmetnite filter sa mljevenom kavom ispod oznake za otključavanje (21), a zatim ga pomaknite desnom stranom da se zaključa, točno ispod brave (22), a zatim šalicu za kavu (ili 2 šalice) stavite ispod lijevka (20).
3. Podesite položaj šalice za kavu (ili 2 šalice istovremeno), neka kava teče duž stijenke šalice.
4. Pritisnite:
  - gumb Auto Single Cup (1), čut ćete di-di zvuk, a zatim će početi teći kava prema vašoj šalici. Kava prestaje teći automatski, čut ćete di-di-di-di zvuk. Jedna kava ima oko 100 ml.
  - gumb Auto Double Cup (2), čut ćete di-di zvuk, a zatim počinje istjecati kava u 2 šalice istovremeno. Kava prestaje teći automatski, čut ćete di-di-di-di-di zvuk.
  - gumb Ručna tipka za šalicu kave (4) za istjecanje kave koliko god želite. Nakon što će količina kave biti željena razina, ponovno pritisnite gumb za ručnu šalicu kave (4) kako biste zaustavili istjecanje kave. Aparat ne ostavljajte bez nadzora, on može prelići kavu.
5. Pričekajte minutu da kava kaplje i kava je spremna.

Funkcija pjene pjene

1. Pritisnite gumb Par (5), indikator svjetla (19) postat će crveni i treptat će, kad se crveno svjetlo promijeni iz treptajućeg u kontinuirano crveno svjetlo, predgrijavanje je završeno.
  2. Količina pare može se prilagoditi prema osobnosti. Prije pečenja mliječne pjene trebali biste ispustiti vodu u mlaznici za paru (13). Preporuča se sipati mlijeko u 1/3 visokog vrča, umetnuti parnu mlaznicu (13) u mlijeko na dubini od 1 cm, a zatim polako odvrnite ručni par (10) dok para ne počne izbacivati. Možete baciti malo vrč, ali ne dodirujte dno posude s mlaznicom za paru (13).
  3. Kad temperatura mlijeka dostigne oko 75 Celzijevih stupnjeva i mliječna pjena počne se širiti, okrenite dugme za paru (10) u položaj "OFF" (Isključeno), isključite gumb za paru (5) da biste postavili svjetlosni pokazatelj (19) postane plava boja, pritisnite tipku za uključivanje (3) izravno za isključivanje uređaja.
- Nakon završetka mliječne pjene na vrijeme očistite mlijeko na površini parne mlaznice vlažnom krpom i raspršite paru kako mlijeko ne bi presušilo i blokiralo odušak.

Kako napraviti kavu od kapučina?

1. Pripremite šalice veće količine prikladne za kavu s kapulu.
2. Pripremite kavu prema dijelovima opisanim u točkama 1-5: Kako napraviti kavu za espresso?
3. Pripremite mliječnu pjenu sukladno dijelovima opisanim u točkama 1-3: Funkcija pjenaste pjene.
4. Zatim protresite vrč na stol tako da se mliječna pjena potpuno izmiješa i ulijte u šalicu s kavom.

Funkcija tople vode

1. Pritisnite gumb za uključivanje (3).
2. Uređaj se počinje predgrijavati, a svjetlosni pokazatelj (19) treperi plavo; kad plavo svjetlo prestane treptati i uključi stalno plavo osvjetljenje, zagrijavanje je završeno, potrebno je oko 2 minute.
3. Podignite šalicu ispod parne mlaznice (13).
4. Okrećite gumb za paru (10) sve dok iz mlaznice pare (13) ne istječe topla voda. Ručica mora premašiti položaj oznake za funkciju tople vode (23).
5. Pritisnite:
  - gumb Automatska pojedinačna čaša (1), čut ćete di-di zvuk, a zatim počinje teći topla voda - oko 150 ml - u vašu šalicu. Voda prestaje da teče automatski, čut ćete di-di-di-di-di zvuk. Ako morate zaustaviti istjecanje vode, ponovno pritisnite gumb Auto Single Cup (1).
  - gumb Auto Double Cup (2), čut ćete di-di zvuk, a zatim će početi teći voda - oko 250 ml - u vašu šalicu. Voda prestaje da teče automatski,

čut ćete di-di-di-di-zvuk. Ako morate zaustaviti istjecanje vode, ponovno pritisnite gumb Auto Double Cup (2).

- gumb Ručna tipka za šalicu kave (4) za istjecanje tople vode koliko god je potrebno. Ne ostavljajte uređaj bez kontrole. Nakon što će količina tople vode biti željena razina, ponovno pritisnite gumb za ručnu šalicu kave (4) kako biste zaustavili istjecanje vruće vode. Ako morate zaustaviti istjecanje vode, ponovno pritisnite gumb za ručnu kavu (4).

6. Po završetku isključite parni gumb (10), a zatim pritisnite gumb za uključivanje (3).

7. Topla voda može se koristiti za piće, čišćenje ili grijanje šalice prije nego što natočite svoju kavu.

Čišćenje i održavanje

1. Isključite gumb za napajanje (3), iskopčajte ga i očistite uređaj nakon što se potpuno ohladi.

2. Nakon uporabe uvijek ispraznite spremnik za vodu (9). S vremena na vrijeme očistite spremnik vode (9) vlažnom spužvom ili krpom.

3. Odvojite filter (18) i uklonite rabljenu kavu iz filtra. Ako su rupe filtera začepljene kavom, za čišćenje je očistite četkom. Možete odvrnuti lijevak za kavu (20) i očistiti temelje za kavu u kućištu filtra (17).

4. Šalice, rezervoar za vodu (9), rešetka za kapanje (6), uklonjivi spremnik za kapanje (7), filter (15 + 16 + 17 + 18 + 20) mogu se oprati u vodi nekim blagim deterdžentom bez abrazivnih tvari ili otapala. Vanjske dijelove treba očistiti mekom krpom ili spužvom. Visoko abrazivna sredstva za čišćenje ili četke mogu uzrokovati ogrebotine na površini.

Napomena: Nemojte koristiti alkohol ili sredstvo za čišćenje otapala i ne uranjajte ga u vodu za čišćenje.

## DECALCIFICATION

Ako za pripremu kave treba duže vremena nego na početku uporabe ili mlaznica za paru (13) ne stvara paru, uređaj treba dekalificirati.

Ako se koristi tvrda voda, uređaj treba dekalificirati nakon što se koristi oko 40 puta. Ako se koristi meka voda, stroj se može uklanjati od kamenca nakon što se koristi oko 80 puta. Tekući dekalifikator za espresso stroj može se koristiti za uklanjanje kamenca s uređaja. Prije dekalificiranja provjerite je li uređaj isključen iz napajanja.

1) Ulijte otprilike 250 ml mlake vode, a zatim dodajte 250 ml tekućeg dekalifikatora espresso stroja.

2) Postavite filter (15 + 16 + 17 + 18 + 20) u zaključani položaj u uređaj. Zatim stavite šalicu napola napunjenu hladnom vodom ispod mlaznice za paru (13) i praznu šalicu ispod lijevka filtra (20).

3) Priključite uređaj na napajanje.

4) Pritisnite gumb za uključivanje (3).

5) Zatim pritisnite gumb Auto Single Cup (1).

6) Kad dekalifikator počne teći dolje u praznu šalicu, umetnite vrh mlaznice za paru (13) u čašu napunjenu hladnom vodom i pritisnite gumb za paru (5).

7) Pričekajte nekoliko sekundi i isključite uređaj. Nakon dekalifikacije uređaj se mora triput isprati čistom vodom. Da biste to učinili, ponovite korake 1 do 7 punjenja spremnika vode (9) samo čistom vodom.

## Rješavanje problema

Simptom: Nema vode / nema pare

Razlog 1: Je li spremnik za vodu (9) unutar vode / nalazi na mjestu?

1. rješenje: Dodajte vodu u spremnik (9).

Razlog 2: U stroj se ne dodaje voda unaprijed.

Rješenje 2: Način dodavanja vode: pritisnite gumb za ručnu šalicu kave (4), crpka započne crpiti vodu u uređaj, nakon nekoliko sekundi pritisnite gumb za ručnu kavu (4).

3. razlog: Stroj ne završi predgrijavanje.

3. rješenje: Čekaj. Stroj može napraviti kavu nakon završetka zagrijavanja. Zagrijavanje je dovršeno kad se indikator svjetla (19) promijeni iz plave treperenja u uvijek plavu.

Simptom: Nema pare

Razlog 1. Blokada pare je blokirana

1. rješenje: Pomoću male žice probušite malu rupu na dnu parne mlaznice (13), očistite je na ovaj način.

Rješenje 2. Nakon što je mlječna pjena gotova, učinite funkciju tople vode za čišćenje cijevi za paru.

Simptom: Loša mlječna pjena

Razlog 1: Je li to punomasno mlijeko?

1. rješenje: Koristite punomasno mlijeko.

Simptom: Loša mlječna pjena

Razlog 1: Gumb za paru (5) počinje peći mlječnu pjenu prije nego što se uređaj potpuno zagrije.

1. rješenje: Čekaj. Započnite parenje nakon što indikator svjetla (19) promijeni boju iz crvene u treptajuću u neprestanu crvenu.

## TEHNIČKI PODACI:

Kapacitet max: 1,6 litara

Napon: 220-240V ~ 50 / 60Hz

Snaga: 850W

Snaga Max: 1000W

Pritisak: 15 bara



Vodimo brigu o prirodnom okolišu. Kartonsku ambalažu molimo preneti na otpadni papir. Polietilen (PE) vreće bacati u kontejner za plastiku. Istrošena oprema treba biti premještena na prikladno mjesto za pohranu, jer sadrže u ureadju opasne tvari mogu predstavljati opasnost za okoliš. Električni uređaj mora biti predat u takvom stanju da se smanji mogućnost njegove ponovne upotrebe. Ako vaš uređaj ima baterije, treba njih ukloniti i predati na mjesto za pohranu odvojeno.

## (SK) SLOVENSKÝ

### VŠEOBECNÉ BEZPEČNOSTNÉ PODMIENKY DÔLEŽITÉ BEZPEČNOSTNÉ POKYNY. POZORNE SI PREČITAJTE A ULOŽTE SI BUDÚCNOSŤ

1. Pred použitím zariadenia si prečítajte návod na obsluhu a postupujte podľa pokynov v ňom uvedených.
  2. Zariadenie je určené iba na domáce použitie. Nepoužívajte na iné účely, než na ktoré sú určené.
  3. Zariadenie by malo byť pripojené iba k uzemnenej zásuvke 220-240 V ~ 50/60 Hz. Z dôvodu zvýšenia prevádzkovej bezpečnosti by viac elektrických zariadení nemalo byť pripojené k jednému prúdovému obvodu súčasne.
  4. Pri používaní zariadenia, keď sú deti v blízkosti, buďte veľmi opatrní.
  5. **VÝSTRAHA:** Toto zariadenie môžu používať deti staršie ako 8 rokov a ľudia so zníženou fyzickou, zmyslovou alebo duševnou schopnosťou alebo ľudia, ktorí nemajú skúsenosti s týmto vybavením, ak sa tak deje pod dohľadom zodpovednej osoby. pre svoju bezpečnosť alebo im boli poskytnuté informácie o bezpečnom používaní pomôcky a sú si vedomí nebezpečenstva pri jej používaní. Deti by sa s týmto zariadením nemali hrať. Čistenie a údržba prístroja by nemali vykonávať deti, pokiaľ nie sú staršie ako 8 rokov a tieto činnosti sa vykonávajú pod dohľadom.
  6. Pred prvým použitím vodu v nádrži uvarte a nalejte ju dvakrát, aby ste sa zbavili zápachu.
  7. Po použití vždy zástrčku vytiahnite zo sieťovej zásuvky. Po použití ju držte za ruku.
  8. Pri odpájaní zástrčky zo zásuvky nikdy neťahajte za napájací kábel, ale za zástrčku.
  9. Nevystavujte zariadenie poveternostným vplyvom (dážď, slnko atď.) Ani ho nepoužívajte v podmienkach vysokej vlhkosti (kúpeľne, vlhké mobilné domy).
  10. Kábel, zástrčku a zariadenie neponárajte do vody ani inej tekutiny.
  11. Pravidelne kontrolujte stav napájacieho kábla. Ak je napájací kábel poškodený, mal by sa vymeniť v odbornom servise, aby sa predišlo nebezpečenstvu.
  12. Nepoužívajte zariadenie s poškodeným napájacím káblom alebo ak spadol alebo je poškodený iným spôsobom alebo ak nefunguje správne. Neopravujte prístroj sami, mohlo by dôjsť k úrazu elektrickým prúdom. Poškodené zariadenie odneste na kontrolu alebo opravu do príslušného servisného strediska. Všetky opravy smie vykonávať iba autorizovaný servis. Nesprávne vykonané opravy môžu pre používateľa predstavovať vážne nebezpečenstvo.
  13. Postavte zariadenie na chladný a stabilný povrch mimo dosahu teplých kuchynských spotrebičov, ako sú: elektrický sporák, plynový horák atď.
  14. Nepoužívajte zariadenie v blízkosti horľavých materiálov.
  15. Napájací kábel sa nesmie zavesiť na okraj stola alebo sa dotýkať horúcich povrchov.
- Výrobca nezodpovedá za škody spôsobené používaním zariadenia v rozpore s jeho určeným účelom alebo nesprávnou obsluhou. Nedovoľte deťom hrať sa so zariadením, nedovoľte deťom ani osobám oboznámeným so zariadením používať.

16. Nenechávajte zariadenie zapnuté alebo adaptér bez dozoru, ak je bez dozoru.
17. Na zabezpečenie dodatočnej ochrany sa odporúča nainštalovať do elektrického obvodu zariadenie na zvyškový prúd (RCD) s menovitým zvyškovým prúdom nepresahujúcim 30 mA. Požiadajte o radu elektrikára.
18. Nikdy nepoužívajte prístroj bez vody! Môže byť poškodený.
19. Nikdy nemierť prúdom horúcej pary alebo vody do vášho tela.
20. Nikdy nepoužívajte zariadenie s perlivou vodou !!!
21. Nikdy nenechávajte prístroj pri teplote pod 0 stupňov Celzia, pretože by ho mohol poškodiť.
22. Pred naplnením nádrže vodou vždy odpojte stroj.
23. Stroj pravidelne čistite a kontrolujte, aby sa zabezpečila kvalita získanej kávy a predĺžila sa životnosť stroja.
24. Pred čistením vždy odpojte zdroj napájania a nechajte všetky horúce časti vychladnúť. Zariadenie by sa malo čistiť jemným neabrazívnym čistiacim prostriedkom. Nikdy nepoužívajte čistiace rozpúšťadlá, pretože by to mohlo poškodiť vrstvu farby.
25. Na odvápnenie zariadenia použite odvápnovač tekutín určený pre tlakové kávovary.
26. Počas používania sa nikdy nedotýkajte puzdra filtra alebo dýzy na napenenie mlieka, pretože hrozí nebezpečenstvo popálenia.
27. Používajte iba originálne príslušenstvo.
28. Počas prevádzky zariadenie nehýbte ani nehýbte.

Tento stroj má klasické funkcie talianskej koncentrovanej espressa a kávy cappuccino. Bohatá kávová aróma a pena, ľahko ovládateľná a bezpečná, ľahko čistiteľná.

#### OPIS VÝROBKU: KÁVOVÝ STROJ Cr4410

- |   |                                     |
|---|-------------------------------------|
| 1. Auto Single Cup - tlačidlo pre automatickú prípravu 1 šálky kávy | 4. Tlačidlo manuálneho šálky kávy   |
| 2. Auto Double Cup - tlačidlo pre automatickú prípravu 2 šálok kávy | 6. Odkvapkávacia mriežka            |
| 3. Vypínač  | 8. Veko nádrže na vodu              |
| 5. Tlačidlo pary  | 10. Gombík na paru                  |
| 7. Odnímateľný odkvapkávací tanier                                  | 12. Rukoväť parnej trysky           |
| 9. Nádrž na vodu 1600 ml  | 14. Odmerná lyžica                  |
| 11. Hlavné puzdro   | 16. Prídružná svorka filtra         |
| 13. Parná dýza  | 18. Filter na mletú kávu na 1 šálku |
| 15. Rukoväť filtra  | 20. Lievik                          |
| 17. Puzdro filtra   | 22. Značka zámku                    |
| 19. Svetelný indikátor  | 24. Filter na mletú kávu na 2 šálky |
| 21. Odomknite značku  |                                     |
| 23. Značka funkcie horúcej vody                                     |                                     |

#### Návod na obsluhu

##### Pred prvým použitím

Po vybalení zariadenia skontrolujte pomocou, či sú k dispozícii všetky tlačidlá a prepínač pary (10) vypnutý v polohe „VYPNUTÉ“. Pred použitím utrite zariadenie (pozri Čistenie a údržba).

1. Vyberte nádrž na vodu (9), nalejte vodu do nádrže na vodu (9), hladina vody by nemala prekročiť značku „MAX“. Odporúča sa používať filtrovanú vodu. To zabraňuje tvorbe vápna a zlepšuje chuť pripravenej kávy. Nepoužívajte sódu.
2. Pred prvým použitím horúcu vodu dvakrát (pokyny nižšie) odstráňte nový zápach z výroby.
3. Pripojte a stlačte vypínač (3). V tomto okamihu bliká modrá kontrolka (19). Stlačením tlačidla Ručný kávový šálka (4) spustíte čerpadlo a pumpujete vodu z nádrže na vodu do zariadenia na zahrievanie.
4. Zariadenie sa začne predhriať, v tomto okamihu bliká modrá kontrolka (19); Keď modré svetlo prestane blikáť a rozsvieti sa nepretržite modré svetlo, zahrievanie je dokončené, trvá to asi 2 minúty.
5. Stlačením tlačidla Auto Single Cup (1) vypustíte horúcu vodu, aby ste umyli kávový filter (18).
6. Zopakujte vyššie uvedené kroky 3, 4, 5.

7. Z odnímateľnej odkvapkávacej misky (7) vypustíte kondenzát z vody a kávy.

Ako pripraviť espresso kávu?

Pripojte zariadenie k napájaciemu zdroju a stlačte vypínač (3). V tomto okamihu bliká kontrolné svetlo (19) modro, počkajte, kým prestane blikat', potom zariadenie dokončí zahrievanie a bude pripravené na použitie.

1. Počas predhrievania zariadenia môžete do mletej kávy (18) vložiť prášok mletej kávy (mali by ste použiť jemný prášok, nie príliš hrubý alebo príliš tenký). Na jeden šálka espressa použite jednu odmernú lyžičku (14) obľúbenej mletej kávy. Na dva šálky espressa použite 1,5 odmernej lyžičky (14) obľúbenej mletej kávy. Potom pevne pritlačte rukoväť odmernej lyžičky (14); súčasne utrite kávoový prášok na okraji filtra (18). Môžete tiež použiť filter (24) vhodný pre 2 šálky mletej kávy.

2. Vložte filter naplnený mletou kávou (18) do krytu filtra (17), držte ho za rukoväť filtra (15). Nasadíte filter s mletou kávou pod značku na odomknutie (21), potom ju posuňte po pravej strane, aby ste ju uzamkli, priamo pod značkou na uzamknutie (22), a potom šálku (alebo 2 šálky) umiestnite pod lievik (20).

3. Upravte polohu šálky kávy (alebo 2 šálok súčasne), nechajte kávu tečúť pozdĺž steny šálky.

4. Stlačte:

- pomocou tlačidla Auto Single Cup (1) budete počuť zvuk di-di, potom začne do vášho šálky vytekať káva. Kávy prestanú automaticky stekať, budete počuť zvuk di-di-di-di-di. Jedna káva má objem približne 100 ml.

- pomocou tlačidla Auto Double Cup (2) budete počuť zvuky di-di, potom začne káva stekať súčasne do 2 šálok. Kávy prestanú automaticky stekať, budete počuť zvuk di-di-di-di-di.

- tlačidlom manuálneho šálky kávy (4) vytečie káva tak dlho, ako budete chcieť. Keď množstvo kávy bude na požadovanej úrovni, opätovným stlačením tlačidla Manual Coffee Cup (4) zastavíte tok kávy. Nenechávajte zariadenie bez dozoru, mohlo by to pretekať kávu.

5. Počkajte minútu na odkvapkávanie kávy a káva je pripravená.

Funkcia napenenia paru

1. Stlačte tlačidlo Steam (5), svetelná kontrolka (19) sa zmení na červenú a bude blikat', keď sa červené svetlo zmení z blikania na nepretržité červené svetlo a predhrievanie je ukončené.

2. Množstvo pary môže byť upravené podľa schopností jednotlivca. Pred spenením mliečnej peny by ste mali uvoľniť vodu z parnej trysky (13). Odporúča sa naliat' mlieko do 1/3 výšky džbánu, vložiť parnú dýzu (13) do mlieka v hĺbke 1 cm a potom pomaly odskrutkovať gombík pary (10), až kým sa para nevypustí. Džbán môžete trochu vyklopiť, ale nedotýkajte sa dna džbánu s parnou dýzou (13).

3. Keď teplota mlieka dosiahne približne 75 stupňov Celzia a mliečna pena sa začína rozširovať, otočte gombík pary (10) do polohy „OFF“, vypnite tlačidlo pary (5), čím sa rozsvieti svetelný indikátor (19) zmení farbu na modrú a stlačením vypínača (3) vypnete zariadenie.

Po doplnení mliečnej peny vyčistíte mlieko na povrchu parnej trysky vlhkou handrou a sprejete paru, aby ste zabránili vyschnutiu mlieka a zablokovaniu vetracieho otvoru.

Ako pripraviť cappuccino kávu?

1. Pripravte si šálky s väčším objemom vhodné na cappuccino kávu.

2. Pripravte kávu podľa bodov 1-5 opísaných v časti: Ako pripraviť kávu espresso?

3. Pripravte mliečnu penu podľa bodov 1-3 opísaných v časti: Funkcia napenenia paru.

4. Potom džbán potraсте do stole tak, aby sa mliečna pena úplne premiešala a nalejte do šálky s kávou.

Funkcia horúcej vody

1. Stlačte vypínač (3).

2. Zariadenie sa začne predhriať, v tomto okamihu bliká modrá kontrolka (19); Keď modré svetlo prestane blikat' a rozsvieti sa nepretržité modré svetlo, zahrievanie je dokončené, trvá to asi 2 minúty.

3. Postavte šálku pod parnú dýzu (13).

4. Otáčajte gombíkom pary (10), kým z trysky pary (13) nevyteká horúca voda. Gombík by mal presahovať polohu funkčnej značky horúcej vody (23).

5. Stlačte:

- pomocou tlačidla Auto Single Cup (1) budete počuť zvuky di-di, potom začne do vašej šálky vytekať horúca voda - okolo 150 ml. Voda prestane stekať automaticky, budete počuť zvuk di-di-di-di-di. Ak musíte zastaviť prietok vody, okamžite stlačte tlačidlo Auto Single Cup (1).

- pomocou tlačidla Auto Double Cup (2) budete počuť zvuky di-di, potom začne voda vytečať - približne 250 ml - do vášho šálky. Voda prestane stekať automaticky, budete počuť zvuk di-di-di-di-di. Ak musíte zastaviť prietok vody, okamžite stlačte tlačidlo Auto Double Cup (2).

- tlačidlo manuálneho šálky kávy (4) na vypustenie teplej vody tak dlho, ako je to potrebné. Nenechávajte prístroj bez kontroly. Keď bude množstvo požadovanej hladiny horúcej vody, opätovným stlačením tlačidla Manual Coffee Cup (4) zastavíte prúdenie horúcej vody. Ak musíte zastaviť prúdenie vody, okamžite stlačte opäť tlačidlo manuálneho šálky kávy (4).

6. Po dokončení vypnite parný gombík (10) a potom vypínač (3) vypnite.

7. Horúcu vodu môžete pred naliatím kávy použiť na pitie, čistenie alebo ohrievanie šálok.

Čistenie a údržba

1. Vypnite hlavný vypínač (3), odpojte ho a po úplnom ochladení zariadenie vyčistíte.

2. Nádržku na vodu (9) po použití vždy vyprázdňte. Občas vyčistíte nádrž na vodu (9) navlhčenou špongiou alebo handrou.

3. Odpojte filter (18) a vyberte použitú kávu z filtra. Ak sú otvory filtra upchané kávou, vyčistíte ich pomocou kofy. Môžete odskrutkovať lievik na kávu (20) a vyčistiť kávové usadeniny v telese filtra (17).

4. Šálky, nádrž na vodu (9), odkvapkávacia mriežka (6), odnímateľná odkvapkávacia vanička (7), filter (15 + 16 + 17 + 18 + 20) sa môžu

umývať vo vode jemným čistiacim prostriedkom bez abrazívnych látok alebo rozpúšťadiel. Vonkajšie časti by sa mali čistiť mäkkou handrou alebo špongiou. Vysoko abrazívne čistiace prostriedky alebo kefy môžu spôsobiť poškrabanie povrchu. Poznámka: Ne používajte alkohol ani čistiaci prostriedok na rozpúšťadlá a stroj neponárajte do vody na čistenie.

#### odvápnenie

Ak varenie kávy trvá dlhšie ako na začiatku použitia alebo parná tryska (13) nevytvára paru, je potrebné prístroj odvápniť. Ak sa používa tvrdá voda, spotrebič by sa mal približne 40-krát odvápniť. Ak sa použije mäkká voda, možno stroj odvápniť po približne 80-krát použitím. Na odvápnenie prístroja sa môže použiť tekutý odvápňovač espressa. Pred odvápnením sa uistite, že je zariadenie odpojené od napájania.

- 1) Nalejte približne 250 ml vlažnej vody a potom pridajte 250 ml kvapalného odvápňovača espressa.
- 2) Vložte filter (15 + 16 + 17 + 18 + 20) do uzamknutej polohy do zariadenia. Potom umiestnite pohárik naplnený studenou vodou pod parnú trysku (13) a prázdny pohárik pod filtračný lievik (20).
- 3) Pripojte zariadenie k napájaciemu zdroju.
- 4) Stlačte vypínač (3).
- 5) Potom stlačte tlačidlo Auto Single Cup (1).
- 6) Keď odvápňovač začne sekať do prázdnej šálky, vložte špičku parnej trysky (13) do šálky naplnenej studenou vodou a stlačte tlačidlo pary (5).
- 7) Počkajte niekoľko sekúnd a vypnite zariadenie. Po odvápnení musí byť zariadenie trikrát prepláchnuté čistou vodou. Za týmto účelom zopakujte kroky 1 až 7, v ktorých je nádrž na vodu (9) naplnená iba čistou vodou.

#### Riešenie problémov

Príznak: Žiadna voda / žiadna para

Dôvod 1: Či je v nádrži na vodu (9) voda / je vo vnútri?

Roztok 1: Pridajte vodu do nádrže (9).

Dôvod 2: Do stroja sa nepridáva voda vopred.

Riešenie 2: Spôsob pridávania vody: stlačte tlačidlo Manual Coffee Cup (4), čerpadlo začne pumpovať vodu do zariadenia, stlačte tlačidlo Manual Coffee Cup (4) po niekoľkých sekundách.

Dôvod 3: Stroj nedokončí predhrievanie.

Riešenie 3: Počkajte. Po dokončení zahrievania môže zariadenie pripraviť kávu. Zahrievanie je ukončené, keď sa kontrolka (19) zmení z modro blikania na stále svieti modro.

Príznak: Žiadna para

Dôvod 1: Parná diera je zablokovaná

Riešenie 1: Použite malý drôt na vrtanie malého otvoru do spodnej časti parnej trysky (13), vyčistíte ho týmto spôsobom.

Roztok 2: Po dokončení mliečnej peny vyčistíte parnú trubicu pomocou funkcie horúcej vody.

Príznak: Zlá mliečna pena

Dôvod 1: Je to plnotučné mlieko?

Roztok 1: Použite plnotučné mlieko.

Príznak: Zlá mliečna pena

Dôvod 1: Tlačidlo pary (5) začne peniť mliečnú penu skôr, ako sa zariadenie úplne zahreje.

Riešenie 1: Počkajte. Keď sa svetelný indikátor (19) zmení z červeného na nepretržite červené, zaparte sa.

#### TECHNICKÉ DÁTA:

Maximálna kapacita: 1,6 litra

Napätie: 220 - 240 V ~ 50/60 Hz

Výkon: 850 W

Výkon Max: 1 000 W

Tlak: 15 barov



Starostlivosť o životné prostredie. Kartónový obal odovzdajte do zberných surovín. Polyetylénové vrecká (PE) vyhodte do kontajnera na plast. Opatrený spotrebič odovzdajte na príslušný zberný dvor, nebezpečné látky spotrebiča môžu predstavovať riziko pre životné prostredie. Elektrosprebič odstráňte tak, aby nedochádzalo k jeho ďalšiemu použitiu. Ak sa v spotrebiči nachádzajú batérie, vyberte ich a odovzdajte ich na zberné miesto osobitne. Spotrebič nevyhadzujte do kontajnera na komunálny odpad!

(DK) DANSKI

GENERELLE SIKKERHEDSBETINGELSER VIGTIGE SIKKERHEDSINSTRUKTIONER.  
LÆS VENLIGST OG SPAR FOR FREMTID

1. Før du bruger enheden, skal du læse betjeningsvejledningen og følge instruktionerne i den.
2. Enheden er kun til hjemmebrug. Brug ikke til andre formål, der ikke er beregnet til dets formål.



3. Enheden skal kun tilsluttes et jordforbundet 220-240 V ~ 50/60 Hz. For at øge driftssikkerheden skal flere elektriske enheder ikke tilsluttes et strømkredsløb på samme tid.
4. Vær meget forsigtig, når du bruger enheden, når børn er i nærheden.
5. ADVARSEL: Dette udstyr kan bruges af børn over 8 år og personer med nedsat fysisk, sensorisk eller mental evne, eller personer, der ikke har erfaring eller viden om udstyret, hvis dette sker under opsyn af en ansvarlig person for deres sikkerhed eller har fået dem oplysninger om sikker brug af enheden og er opmærksomme på farerne ved at bruge det. Børn bør ikke lege med udstyret. Rengøring og vedligeholdelse af enheden bør ikke udføres af børn, medmindre de er over 8 år gamle, og disse aktiviteter udføres under opsyn.
6. Kog vandet i tanken, og hæld det to gange for at slippe af med lugten før første brug.
7. Fjern altid stikket fra stikkontakten efter brug ved at holde stikket med hånden efter brug.
8. Når du fjerner stikket fra stikket, skal du aldrig trække i netledningen men i stikket.
9. Udsæt ikke enheden for atmosfæriske forhold (regn, sol osv.) Eller brug under forhold med høj luftfugtighed (badeværelser, fugtige mobilhomes).
10. Sænk ikke kablet, stikket og enheden i vand eller anden væske.
11. Kontroller periodisk strømkablets tilstand. Hvis netledningen er beskadiget, skal den udskiftes af et specialiseret værksted for at undgå fare.
12. Brug ikke enheden med et beskadiget strømkabel, eller hvis det er faldet eller beskadiget på anden måde, eller hvis det ikke fungerer korrekt. Reparer ikke enheden selv, da der er risiko for elektrisk stød. Tag den beskadigede enhed til et passende servicecenter for kontrol eller reparation. Alle reparationer må kun udføres af autoriserede servicepunkter. Forkert udførte reparationer kan medføre alvorlig fare for brugeren.
13. Placer enheden på en kølig, stabil overflade væk fra varme køkkenapparater som: elektrisk komfur, gasbrænder osv.
14. Brug ikke enheden i nærheden af brandfarlige materialer.
15. Netledningen hænger muligvis ikke over kanten af et bord eller rører ved varme overflader. Producenten er ikke ansvarlig for skader forårsaget af brug af enheden i modsætning til dets tilsigtede formål eller forkert betjening. Lad ikke børn lege med enheden, lad ikke børn eller personer, der ikke kender enheden, bruge den.
16. Lad ikke enheden være tændt eller adapteren uden opsyn, når den ikke er tilsyn.
17. For at yde yderligere beskyttelse anbefales det at installere en reststrømsenhed (RCD) i det elektriske kredsløb med en nominel reststrøm på ikke over 30 mA. Spørg en elektriker om dette råd.
18. Brug aldrig enheden uden vand! Det kan være beskadiget.
19. Ret aldrig en strøm af varm damp eller vand mod din krop.
20. Brug aldrig enheden med mousserende vand !!!
21. Forlad aldrig enheden ved en temperatur under 0 grader Celsius, da det kan beskadige det.
22. Frakobl altid maskinen, før du fylder tanken med vand.
23. Rengør og inspicér maskinen regelmæssigt for at sikre kvaliteten af den opnåede kaffe og forlænge maskinens levetid.
24. Frakobl altid strømkilden inden rengøring, og lad alle varme dele køle af. Enheden skal

rengøres med et mildt ikke-slibende rengøringsmiddel. Brug aldrig rengøringsmiddel, da dette kan beskadige malingslaget.

25. Til afkalkning af maskinen skal du bruge en flydende afkalkingsanordning, der er beregnet til kaffemaskine med. pres.

26. Rør aldrig ved filterhuset eller mælkeopskumningsdysen under brug, da der er risiko for forbrændinger.

27. Brug kun originalt tilbehør.

28. Flyt eller flyt ikke enheden under betjening.

Denne maskine har en klassisk funktion af italiensk koncentreret espresso og cappuccino kaffe. Rig kaffearoma og skum, let at betjene og sikker, let at rengøre.

#### PRODUKTBESKRIVELSE: COFFEE MACHINE Cr4410

- |  |                                     |
|--|-------------------------------------|
| 1. Auto Single Cup - knap til automatisk forberedelse af 1 kop kaffe     |                                     |
| 2. Auto dobbelt kop - knap til automatisk forberedelse af 2 kopper kaffe |                                     |
| 3. Tænd / sluk-knap  | 4. Manuel kaffekop-knap             |
| 5. Dampknap  | 6. Dryp gitter                      |
| 7. Aftagelig drypbakke   | 8. låg på vandtanken                |
| 9. Vandtank 1600ml   | 10. Dampknap                        |
| 11. Hovedhus   | 12. Damphåndtag                     |
| 13. Dampdyse   | 14. Måleske                         |
| 15. Filterhåndtag  | 16. Filterholderklemme              |
| 17. Filterhus  | 18. Filter na mletú kávu na 1 šálku |
| 19. Lysindikator   | 20. Tragt                           |
| 21. Lås op mærket  | 22. Låsemærke                       |
| 23. Funktionstegn for varmt vand   | 24. Filter na mletú kávu na 2 šálky |

#### Driftsvejledning

Før du bruger den første gang

Efter udpakning af enheden skal du tjekke med, om alle knapper er tilgængelige, og dampknappen (10) er slukket i positionen "OFF". Aftør enheden (se Rengøring og vedligeholdelse), inden du påfører.

1. Fjern vandbeholderen (9), hæld vand i vandbeholderen (9), vandstanden må ikke overstige mærket "MAX". Det anbefales at bruge filtreret vand. Dette forhindrer ophobning af kalk og forbedrer smagen på den tilberedte kaffe. Brug ikke sodavand. Môžete tiež použiť filter (24) vhodný pre 2 šálky mletej kávy.

2. Kør varmt vand to gange (instruktioner nedenfor) for at fjerne den nye fabriks lugt før første brug.

3. Tilslut, og tryk på tænd / sluk-knappen (3). På dette tidspunkt blinker indikatoren (19) blå. Tryk på knappen Manuel kaffekop (4) for at arbejde med pumpen og pumpe vand fra vandtanken til enheden til opvarmning.

4. Enheden begynder at forvarme, på dette tidspunkt blinker indikatoren (19) blå; når det blå lys holder op med at blinke og tænder for kontinuerlig blå belysning, er opvarmningen afsluttet, det tager ca. 2 minutter.

5. Tryk på knappen Auto Single Cup (1) for at slippe det varme vand ud for at vaske kaffefiltret (18).

6. Gentag trin 3, 4, 5 ovenfor.

7. Tøm kondens fra vand og kaffe fra den aftagelige drypbakke (7).

Hvordan laver man espressokaffe?

Tilslut enheden til strømforsyningen, og tryk på tænd / sluk-knappen (3). I dette øjeblik blinker indikatorlampen (19) blå, vent, indtil den holder op med at blinke, så enheden afslutter opvarmningen og er klar til brug.

1. Mens enheden forvarmer, kan du lægge det maledede kaffepulver (du skal bruge det fine pulver, ikke for tykt eller for tyndt) i det maledede kaffefilter (18). Til en espressokop skal du bruge en måleske (14) af din foretrukne maledede kaffe. I to espressokopper skal du bruge 1,5 måleske (14) af din foretrukne maledede kaffe. Brug derefter måleskehåndtaget (14) til at presse det tæt; aftør samtidig kaffepulveret på kanten af filteret (18).

2. Indsæt det maledede kaffefyldte filter (18) i filterhuset (17), opbevar det ved filterhåndtaget (15). Monter filter med malet kaffe under låsemærket (21), flyt det derefter på højre side for at låse det lige under låsmærket (22), og placer derefter kaffekoppen (eller 2 kopper) under tragten (20).

3. Juster kaffekopets position (eller 2 kopper på samme tid), lad kaffen strømme langs kopvæggen.

4. Tryk på:

- knappen Auto Single Cup (1), du hører di-di-lyd, derefter begynder den at strømme en kaffe ud til din kop. Kaffestop flyder automatisk ud, du hører di-di-di-lyd. Enkelt kaffe har en kapacitet på omkring 100 ml.

- knappen Auto Double Cup (2), du hører di-di-lyd, derefter begynder den at flyde kaffen ud til 2 kopper på samme tid. Kaffestop flyder automatisk ud, du hører di-di-di-lyd.

- knappen Manuel kaffekop (4) for at flyde kaffe ud, så længe du vil. Når mængden af kaffe er det ønskede niveau, skal du trykke på

knappen Manuel kaffekop (4) igen for at stoppe strømmen ud af kaffen. Lad ikke apparatet være uden opsyn, det kan strømme over kaffe.  
5. Vent et øjeblik på, at kaffe drypper, og kaffen er klar.

#### Dampskumningsfunktion

1. Tryk på Steam-knappen (5), lysindikatoren (19) bliver rød, og den blinker, når det røde lys skifter fra blinkende til kontinuerligt rødt lys, forvarmningen er afsluttet.
2. Dampmængden kan justeres i henhold til den enkeltes dygtighed. Inden skummet mælkeskum skal du frigive vandet i dampdysen (13). Det anbefales at hælde mælken i 1/3 højden af kanden, indsætte dampdysen (13) i mælken på 1 cm dybde og skru derefter langsomt dampknappen (10) indtil dampen begynder at skubbe ud. Du kan svinge kanden lidt, men kontakt ikke bunden af kanden med dampdysen (13).
3. Når mælketets temperatur når ca. 75 grader Celsius, og mælkeskummet begynder at udvide, skal du dreje dampknappen (10) til "OFF" - position, og sluk for dampknappen (5) for at gøre indikatoren for lys (19) bliver blå, tryk på tænd / sluk-knappen (3) direkte for at slukke for enheden.

Når mælkeskummet er færdig, skal du rense mælken på overfladen af dampdysen med en fugtig klud i tide og sprøjte dampen for at forhindre, at mælken tørrer ud og blokerer udluftningen.

#### Hvordan laver man cappuccino-kaffe?

1. Forbered kopper med større volumen, der er egnede til cappuccino-kaffe.
2. Tilbered kaffe i henhold til punkt 1-5, der er beskrevet delvist: Hvordan laver man espressokaffe?
3. Forbered mælkeskummet ifølge punkt 1-3 beskrevet del: Dampskumningsfunktion.
4. Ryst derefter kanden på bordet, så mælkeskummet er helt blandet og hæld det i koppen med kaffe.

#### Varmt vand funktion

1. Tryk på afbryderknappen (3).
2. Enheden begynder at forvarme, på dette tidspunkt blinker indikatoren (19) blåt; når det blå lys holder op med at blinke og tænder for kontinuerlig blå belysning, er opvarmningen afsluttet, det tager ca. 2 minutter.
3. Stå bægere op under dampdysen (13).
4. Drej dampknappen (10), indtil dampdysen (13) strømmer ud af varmt vand. Knappen skal overskride placeringen af varmtvandsfunktionsmærket (23).
5. Tryk på:
  - Auto Single Cup-knappen (1), du hører di-di-lyd, derefter begynder den at strømme ud varmt vand - omkring 150 ml - til din kop. Vandstop strømmer automatisk ud, du hører di-di-di-lyd. Hvis du skal stoppe vandstrømmen ud, skal du straks trykke på knappen Auto Single Cup (1) igen.
  - knappen Auto Double Cup (2), du hører di-di lyd, derefter begynder den at strømme ud vandet - omkring 250 ml - til din kop. Vandstop strømmer automatisk ud, du hører di-di-di-lyd. Hvis du skal stoppe vandstrømmen ud, skal du straks trykke på knappen Auto Double Cup (2) igen.
  - knappen manuel kaffekop (4) for at strømme ud varmt vand, så længe det er nødvendigt. Forlad ikke enheden uden kontrol. Når mængden af varmt vand er det ønskede niveau, skal du trykke på knappen Manuel kaffekop (4) igen for at stoppe strømmen ud af varmt vand. Hvis du skal stoppe vandstrømmen ud, skal du straks trykke på knappen Manuel kaffekop (4) igen.
6. Sluk for dampknappen (10), når du er færdig, og tryk derefter på afbryderknappen (3).
7. Det varme vand kan bruges til at drikke, rengøre eller opvarme kopper, inden du hælder din kaffe.

#### Rengøring og vedligeholdelse

1. Sluk for tænd / sluk-knappen (3), tag stikket ud og rengør enheden efter fuldstændig afkøling.
  2. Tøm altid vandbeholderen (9) efter brug. Rens fra tid til anden vandtanken (9) med en fugtig svamp eller klud.
  3. Fjern filteret (18), og fjern brugt kaffe fra filteret. Hvis filterhullerne er tilstoppet med kaffe, skal du bruge en børste til at rengøre den. Du kan skrue kaffetragten (20) ud og rense kaffebanen i filterhuset (17).
  4. Bægerne, vandtanken (9), drypgritteret (6), aftagelig drypbakke (7), filteret (15 + 16 + 17 + 18 + 20) kan vaskes i vand med noget mildt rengøringsmiddel uden slibende stoffer eller opløsningsmidler. Udvendige dele rengøres med en blød klud eller svamp. Meget slibende rengøringsmidler eller børster kan forårsage ridser på overfladen.
- Bemærk: Brug ikke alkohol eller opløsningsmiddelreenser, og dyp ikke maskinen i vand til rengøring.

#### afkalkning

Hvis kaffebrygning tager længere tid end ved begyndelsen af brug, eller dampdysen (13) ikke producerer damp, skal apparatet afkalkificeres. Hvis der anvendes hårdt vand, skal apparatet afkalkes, når det er blevet brugt ca. 40 gange. Hvis der anvendes blødt vand, kan maskinen afkalkes, efter at den er blevet brugt ca. 80 gange. Espresso-maskine flydende afkalkning kan bruges til at afkalkificere apparatet. Inden du afkalkler, skal du sørge for, at enheden er frakoblet strømforsyningen.

- 1) Hæld cirka 250 ml lunken vand, og tilsæt derefter 250 ml espressomaskins flydende afkalkningsmiddel.
- 2) Placer filteret (15 + 16 + 17 + 18 + 20) i låst position i enheden. Placer derefter en kop halvfylt med koldt vand under dampdysen (13) og en tom kop under filtertragten (20).
- 3) Tilslut enheden til strømforsyningen.
- 4) Tryk på afbryderknappen (3).
- 5) Tryk derefter på knappen Auto Single Cup (1).
- 6) Når afkalkningsmidlet begynder at strømme ned i et tomt kop, skal du indsætte spidsen af dampdysen (13) i en kop fyldt med koldt vand

og trykke på dampknappen (5).

7) Vent et par sekunder, og sluk for enheden. Efter afkalkning skal enheden skylles tre gange med rent vand. Gentag trin 1 til 7, fyld vandtanken (9) med rent vand for at gøre det.

#### Fejlfinding

Symptom: Intet vand / ingen damp

Årsag 1: Om vandtanken (9) har vand inde i / er på plads?

Løsning 1: Tilsæt vand til tanken (9).

Årsag 2: Der tilsættes ikke vand på forhånd i maskinen.

Løsning 2: Metode til tilsætning af vand: tryk på knappen Manuel kaffekop (4), pumpen begynder at pumpe vand ind i enheden, tryk på knappen Manuel kaffekop (4) efter nogle få sekunder.

Årsag 3: Maskinen afslutter ikke forvarmningen.

Løsning 3: Vent. Maskinen kan lave kaffe, når opvarmningen er afsluttet. Opvarmningen afsluttes, når lysindikatoren (19) skifter fra blå blinkende til altid at være på blå.

Symptom: Ingen damp

Årsag 1: Damphul blokeret

Løsning 1: Brug en lille ledning til at stikke det lille hul i bunden af dampdysen (13), rens det på denne måde.

Opløsning 2: Når mælkeskummet er færdigt, skal du udføre en varmtvandsfunktion for at rense damprøret.

Symptom: Dårligt mælkeskum

Årsag 1: Er det helmælk?

Løsning 1: Brug helmælk.

Symptom: Dårligt mælkeskum

Årsag 1: Dampknappen (5) begynder at skumme mælkeskum op, før enheden opvarmes helt.

Løsning 1: Vent. Begynd med at dampe, når lysindikatoren (19) skifter farve fra rød blinkende til kontinuerlig rød.

#### TEKNISK DATA:

Kapacitet max: 1,6 liter

Spænding: 220-240V ~ 50 / 60Hz

Effekt: 850W

Power Max: 1000W

Tryk: 15 barer



Af hensyn til miljøet . Venligst overfør papemballage til affaldspapir. Hæld polyethylenposer (PE) i plastbeholderen Slidt enhed skal returneres til det relevante punkt opbevaring, fordi det er farligt i enheden ingredienser kan udgøre en trussel for miljøet. Den elektriske enhed skal overleveres for at begrænse dets genanvendelse og brug. Hvis i enheden der er batterier, fjern dem og vende tilbage til punktet opbevares separat.

#### (UA) УКРАЇНСЬКА

### ЗАГАЛЬНІ УМОВИ БЕЗПЕКИ ВАЖЛИВІ Вказівки щодо безпеки. ЗАБУДУЙТЕ ЗАБЕЗПЕЧНО І ПРОБЛЕМУЙТЕ ЗА МАЙБУТНЄ

1. Перш ніж користуватися пристроєм, прочитайте посібник з експлуатації та дотримуйтесь інструкцій, що містяться в ньому.
2. Пристрій призначений лише для домашнього використання. Не використовуйте для інших цілей, які не призначені за призначенням.
3. Пристрій слід підключати лише до заземленої розетки напругою 220-240 В ~ 50/60 Гц. Для підвищення експлуатаційної безпеки декілька електричних пристроїв не повинні підключатися одночасно до одного ланцюга струму.
4. Будьте дуже обережні, коли користуєтесь пристроєм, коли діти поруч.
5. ПОПЕРЕДЖЕННЯ: Цим обладнанням можуть користуватися діти старше 8 років та люди зі зниженими фізичними, сенсорними або розумовими здібностями або люди, які не мають досвіду чи знань щодо обладнання, якщо це робиться під наглядом відповідальної особи. для їх безпеки або надано їм інформацію про безпечне користування пристроєм та знають про небезпеку його використання. Діти не повинні

- грати з обладнанням. Чищення та обслуговування приладу не повинно здійснюватися дітьми, якщо вони не перевищують 8 років і ці заходи проводяться під наглядом.
6. Закип'ятіть воду в ємності і двічі налейте її, щоб позбутися від запаху перед першим вживанням.
  7. Завжди виймайте вилку з розетки після використання, тримаючи розетку рукою після використання.
  8. Виймаючи вилку з розетки, ніколи не тягніть за шнур живлення, а не за штепсельну вилку.
  9. Не піддавайте прилад атмосферним умовам (дощ, сонце тощо) і не використовуйте в умовах підвищеної вологості (ванні кімнати, вологі мобільні будинки).
  10. Не занурюйте кабель, вилку та пристрій у воду або будь-яку іншу рідину.
  11. Періодично перевіряйте стан шнура живлення. Якщо шнур живлення пошкоджений, його слід замінити в спеціалізованій майстерні по ремонту, щоб уникнути небезпеки.
  12. Не використовуйте пристрій із пошкодженим шнуром живлення або якщо воно було випало чи пошкоджене будь-яким іншим способом або якщо воно не працює належним чином. Не ремонтуйте пристрій самостійно, оскільки є ризик ураження електричним струмом. Віднесіть пошкоджений пристрій у відповідний сервісний центр для перевірки чи ремонту. Всі ремонти можуть проводити тільки авторизовані сервісні пункти. Неправильно виконаний ремонт може становити серйозну небезпеку для користувача.
  13. Поставте прилад на прохолодну стійку поверхню, подалі від гарячих кухонних приладів, таких як: електрична плита, газовий конфорка тощо.
  14. Не використовуйте пристрій поблизу легкозаймистих матеріалів.
  15. Шнур живлення може не висіти за край столу або торкатися гарячих поверхонь. Виробник не несе відповідальності за збитки, спричинені використанням пристрою всупереч його передбачуваному призначенню або неправильній експлуатації. Не дозволяйте дітям грати з пристроєм, не дозволяйте дітям або людям, незнайомим пристроєм, користуватися ним.
  16. Не залишайте пристрій увімкненим або адаптер без нагляду, коли його немає без нагляду.
  17. Для забезпечення додаткового захисту доцільно встановити в електричному ланцюзі пристрій залишкового струму (RCD) з номінальним залишковим струмом не більше 30 мА. Зверніться до електрика за цією порадою.
  18. Ніколи не використовуйте прилад без води! Він може бути пошкоджений.
  19. Ніколи не спрямовуйте потік гарячої пари або води до свого тіла.
  20. Ніколи не використовуйте прилад з газованою водою !!!
  21. Ніколи не залишайте прилад при температурі нижче 0 градусів Цельсія, оскільки це може пошкодити його.
  22. Завжди відключайте шнур живлення від мережі, перш ніж наповнити ємність водою.
  23. Регулярно чистіть та оглядайте машину, щоб забезпечити якість отриманої кави та продовжити термін служби машини.
  24. Перед чищенням завжди відключайте джерело живлення і дайте охолонути всі гарячі частини. Пристрій слід очистити м'яким неабразивним миючим засобом. Ніколи

не використовуйте чистячий розчинник, оскільки це може пошкодити шар фарби.

25. Для видалення накипу використовуйте рідкий накип, призначений для кавоварок під тиском.

26. Під час використання ніколи не торкайтеся корпусу фільтра або сопла для молочного пінання, оскільки це загрожує опіками.

27. Використовуйте лише оригінальні аксесуари.

28. Не переміщуйте та не рухайте пристрій під час роботи.

Ця машина має класичні функції італійського концентрованого еспресо та кави з капучино. Насичений кавовий аромат та піна, простий в експлуатації та безпечний, простий в чищенні.

#### ОПИС ТОВАРІВ: МАШИНА КАФІ Cr4410

1. Автоматична одномісна чашка - кнопка для автоматичного приготування 1 чашки кави
2. Автоматична подвійна чашка - кнопка для автоматичного приготування 2 чашок кави
3. Кнопка живлення
4. Кнопка ручної кавової чашки
5. Кнопка пари
6. Капельна сітка
7. Знімний лоток для крапель
8. Кришка бака для води
9. Бак для води 1600мл
10. Ручка на пару
11. Основний корпус
12. Ручка парової насадки
13. Парова насадка
14. Мірна ложка
15. Ручка фільтра
16. Фіксатор фіксатора фільтра
17. Корпус фільтра
18. Фільтр для меленої кави на 1 склянку
19. Світловий індикатор
20. Лійка
21. Позначка розблокування
22. Знак блокування
23. Знак функції гарячої води
24. Фільтр для меленої кави на 2 склянки

#### Інструкція з експлуатації

Перед першим використанням

Розпакувавши пристрій, перевірте, чи є всі кнопки, і ручка пари (10) вимкнена в положенні "OFF". Перш ніж застосувати, витріть пристрій (див. Очищення та обслуговування).

1. Вийміть смінь з водою (9), налійте воду в бак (9), рівень води не повинен перевищувати позначку "MAX". Рекомендується використовувати відфільтровану воду. Це запобігає накопиченню вапна та покращує смак приготованої кави. Не використовуйте газовану воду.

2. Запустіть гарячу воду двічі (інструкція нижче), щоб видалити новий заводський запах перед першим використанням.

3. Підключіть та натисніть кнопку живлення (3). У цей час індикатор світла (19) блимає синім кольором. Натисніть кнопку «Ручна кавова чашка» (4) для роботи насоса, перекачуючи воду з ємності з водою в прилад для опалення.

4. Пристрій починає нагріватися, в цей час індикатор світла (19) блимає синім кольором; коли синє світло перестає блимати та увімкне безперервне синє освітлення, розминка закінчена, це займе близько 2 хвилин.

5. Натисніть кнопку Автоматична єдина чашка (1), щоб гаряча вода вимила кавовий фільтр (18).

6. Повторіть кроки 3, 4, 5 вище.

7. Порожня конденсація з води та кави зі знімного крапельного піддону (7).

Як приготувати каву з еспресо?

Підключіть пристрій до джерела живлення та натисніть кнопку живлення (3). У цей момент індикатор (19) блимає синім кольором, зачекайте, поки він перестане блимати, тоді пристрій закінчить нагрівання і буде готовий до використання.

1. Під час попереднього нагрівання пристрою ви можете покласти порошок меленої кави (слід використовувати дрібний порошок, не надто густий або занадто тонкий) у фільтр меленої кави (18). Для однієї чашки еспресо використовуйте одну мірну ложку (14) улюбленої меленої кави. Для двох чашок еспресо використовуйте 1,5 мірної ложки (14) улюбленої меленої кави. Потім використовуйте ручку мірної ложки (14), щоб щільно її натиснути; одночасно протирайте кавовий порошок на краю фільтра (18). Ви також можете використовувати фільтр (24), придатний для приготування 2 чашок меленої кави.

2. Вставте фільтр (18), заповнений меленою кавою, у корпус фільтра (17), тримайте його за ручку фільтра (15). Замістіть фільтр із меленою кавою під знаком розблокування (21), потім перемістіть його правою стороною, щоб зафіксувати, просто під фіксатором (22), після чого поставте кавову чашку (або 2 склянки) під воронку (20).

3. Відрегулюйте положення кавової чашки (або 2 чашки одночасно), нехай кава тече по стінці чашки.

4. Натисніть:

- кнопка "Автоматична єдина чашка" (1), ви почуєте звук di-di, після чого вона почне виливати каву до вашої чашки. Кава перестає витікати автоматично, ви почуєте звук ди-ді-ді-ді. Одномісна кава є приблизно 100 мл.

- кнопка Автоматична подвійна чашка (2), ви почуєте ди-ді звук, після чого вона почне розливати каву до 2 чашок одночасно. Кава перестає витікати автоматично, ви почуєте звук ди-ді-ді-ді.

- кнопка «Ручна кавова чашка» (4), щоб витекти каву стільки часу, скільки вам потрібно. Після того, як кількість кави стане бажаним

рівнем, знову натисніть кнопку «Ручна кавова чашка» (4), щоб зупинити витік кави. Не залишайте прилад без нагляду, він може переповерхнути каву.

5. Зачекайте хвилину, поки кава капатиме, і кава готова.

#### Функція пароутворення піни

1. Натисніть кнопку Steam (5), індикатор світла (19) стане червоним і буде блимати, коли червоне світло зміниться від мигаючого на постійне червоне світло, попереднє нагрівання закінчено.
  2. Кількість пари можна регулювати відповідно до рівня знання особи. Перш ніж пінати молочну піну, слід випустити воду в парову насадку (13). Рекомендується налити молоко в 1/3 висоти глечика, вставити парову насадку (13) в молоко на глибини 1 см, а потім повільно відкрити ручку пари (10), поки пара не почне витікати. Ви можете трохи погойдувати глечик, але не торкайтеся дна глечика паровою насадкою (13).
  3. Коли температура молока досягне приблизно 75 градусів Цельсія, і молочна піна починає розширюватися, поверніть регулятор пари (10) у положення "OFF", вимкніть кнопку пари (5), щоб зробити індикатор світла (19) синіє, натисніть кнопку живлення (3) безпосередньо, щоб вимкнути пристрій.
- Після заповнення молочної піни вчасно очистіть молоко на поверхні парової насадки вологою ганчіркою і розпиліть пар, щоб молоко не пересохло і не перекирало вентиляційний отвір.

#### Як приготувати каву з капучіно?

1. Приготуйте чашки більшого обсягу, придатні для кави з капучіно.
2. Приготуйте каву відповідно до пунктів 1-5, описаних частково: Як приготувати каву з еспресо?
3. Підготуйте молочну піну згідно з пунктами 1-3, описаними частково: Функція пароутворення піни.
4. Потім струсіть глечик на стіл, щоб молочна піна повністю змішався, і налійте його в чашку з кавою.

#### Функція гарячої води

1. Натискання кнопки живлення (3).
2. Пристрій починає нагріватися, в цей час індикатор світла (19) блимає синім кольором; коли синє світло перестеє блимати та увімкне безперервне синє освітлення, розмінка закінчена, це займе близько 2 хвилин.
3. Підняти чашку під парову насадку (13).
4. Поверніть регулятор пари (10) до тих пір, поки з сопла пари (13) не витече гаряча вода. Ручка повинна перевищувати положення знака функції гарячої води (23).
5. Натисніть:
  - кнопка Автоматична єдина чашка (1), ви почуєте ди-ді звук, після чого з вашої чашки почне витікати гаряча вода - близько 150 мл. Вода перестеє текти автоматично, ви почуєте звук ди-ді-ді-ді. Якщо вам доведеться зупинити витік води, негайно натисніть кнопку Автоматична єдина чашка (1) знову.
  - кнопка автоматичної подвійної чашки (2), ви почуєте ди-ді звук, після чого вона почне витікати воду - близько 250 мл - до вашої чашки. Вода перестеє текти автоматично, ви почуєте звук ди-ді-ді-ді. Якщо вам доведеться зупинити витік води, негайно натисніть кнопку Автоматична подвійна чашка (2) ще раз.
  - кнопка «Ручна кавова чашка» (4) для витікання гарячої води стільки, скільки потрібно. Не залишайте пристрій без контролю. Після того, як кількість гарячої води стане бажаним рівнем, знову натисніть кнопку «Ручна кавова чашка» (4), щоб зупинити витік гарячої води. Якщо вам доведеться зупинити витік води, негайно натисніть кнопку "Ручна кавова чашка" (4) ще раз.
6. По закінченні вимкніть регулятор пари (10), а потім натисніть кнопку живлення (3).
7. Гарячу воду можна використовувати для пиття, чищення або нагрівання чашок перед наливанням кави.

#### Очищення та обслуговування

1. Вимкніть кнопку живлення (3), відключіть її від мережі та очистіть пристрій після повного охолодження.
  2. Завжди опустіть ємність з водою (9) після використання. Час від часу чистіть ємність з водою (9) вологою губкою або ганчіркою.
  3. Від'єднайте фільтр (18) і вийміть використану каву з фільтра. Якщо отвори фільтра забиті кавою, очистіть його за допомогою щітки. Можна відкрити воронку для кави (20) та очистити кавову гущу в корпусі фільтра (17).
- Чашки, ємність з водою (9), крапельна сітка (6), знімний краплинний лоток (7), фільтр (15 + 16 + 17 + 18 + 20) можна промивати у воді деяким м'яким миючим засобом без абразивних речовин чи розчинників. Зовнішні деталі слід очистити м'якою ганчіркою або губкою. Сильно абразивні чистячі засоби чи щітки можуть спричинити подряпини на поверхні.
- Примітка: Не використовуйте спирт або розчинник для чищення та не занурюйте машину у воду для очищення.

#### ДЕКАЛЬЦИФІКАЦІЯ

Якщо заварювання кави займає більше часу, ніж на початку використання, або паровий сопло (13) не видає пар, прилад слід знезаразити. Якщо використовується жорстка вода, прилад слід знезаражувати після використання приблизно 40 разів. Якщо використовується м'яка вода, апарат можна знежирити після використання приблизно 80 разів. Для знежирювання приладу може використовуватися рідкий декальсифікатор еспресо-машини. Перш ніж декальцифікувати, переконайтесь, що пристрій відключено від джерела живлення.

- 1) Залийте приблизно 250 мл теплої води, а потім додайте 250 мл рідкого декальсифікатора еспресо-машини.
- 2) Помістіть фільтр (15 + 16 + 17 + 18 + 20) у заблокованому положенні в пристрій. Потім помістіть наповнену чашку холодної води під парову насадку (13) і порожню чашку під воронку фільтра (20).
- 3) Підключіть пристрій до джерела живлення.
- 4) Натисніть кнопку живлення (3).



- 5) Потім натисніть кнопку Автоматична єдина чашка (1).
- 6) Коли декальцифікатор почне стікати в порожню чашку, вставити наконечник парової насадки (13) у чашку, наповнену холодною водою, і натисніть кнопку пари (5).
- 7) Зачекайте кілька секунд і вимкніть пристрій. Після декальцинації прилад необхідно тричі промити чистою водою. Для цього повторіть кроки 1 - 7, наповнюючи резервуар для води (9) чистою водою.

#### Вирішення проблем

Симптом: Без води / без пари

Причина 1: Чи є в резервуарі (9) для води всередині / знаходиться на місці?

Рішення 1: Додайте воду в бак (9).

Причина 2. У машину заздалегідь не додають воду.

Рішення 2: Спосіб додавання води: натисніть кнопку «Ручна кавова чашка» (4), насос почне закачувати воду в прилад, через кілька секунд натисніть кнопку «Ручна кавова чашка» (4).

Причина 3: Машина не закінчила попереднього нагрівання.

Рішення 3: Зачекайте. Машина може приготувати каву після закінчення розминки. Розминка завершується, коли індикатор світла (19) змінюється від синього миготіння до завжди синього.

Ознака: немає пари

Причина 1: Парова діра заблокована

Рішення 1: За допомогою невеликого дроту просуньте невеликий отвір у нижній частині парової насадки (13), очистіть його таким чином.

Рішення 2. Після закінчення молочної піни виконайте функцію гарячої води, щоб очистити парову трубку.

Ознака: погана молочна піна

Причина 1: Це цільне молоко?

Рішення 1: Використовуйте незбиране молоко.

Ознака: погана молочна піна

Причина 1: Кнопка пари (5) починає пінилу молочну піну до повного прогрівання пристрою.

Рішення 1: Зачекайте. Почніть паритися після того, як індикатор світла (19) змінить колір з червоного миготіння на безперервне червоне.

#### ТЕХНІЧНІ ДАНІ:

Ємність макс.: 1,6 літра

Напруга: 220-240В ~ 50 / 60Гц

Потужність: 850 Вт

Максимальна потужність: 1000 Вт

Тиск: 15 Бар

У інтересах навколишнього середовища.



Будь ласка, віддайте картонну упаковку в місце збору мукулатури. Політиленові мішки (PE) викинути в смітник для пластику. Відпрацьований пристрій повинен бути відправлений у відповідну точку зберігання, тому що в пристрої є небезпечні інгредієнти, які можуть становити загрозу навколишньому середовищу. Електричний пристрій потрібно повернути так, щоб обмежити його повторне використання. Якщо у пристрої є батареї, то потрібно їх витягнути і віддати до відповідного пункту.

#### (SR) СРПСКИ

**ОПШТИ УСЛОВИ СИГУРНОСТИ ВАЖНЕ СИГУРНОСНЕ УПУТЕ. МОЛИМ ВАС ДА ПРОЧИТАЈТЕ пажљиво и сачувајте за будућност**

1. Пре употребе уређаја, прочитајте упутство за употребу и следите упутства која се налазе у њему.
2. Уређај је намењен само за кућну употребу. Не употребљавајте у друге сврхе које нису предвиђене.
3. Уређај треба спојити само на уземљену утичницу од 220-240 В ~ 50/60 Хз. Да би се повећала оперативна сигурност, више електричних уређаја не би требало истовремено да буде повезано на један струјни круг.
4. Будите изузетно опрезни када користите уређај када су деца у близини.
5. **УПОЗОРЕЊЕ:** Ову опрему могу користити деца старија од 8 година и особе

смањене физичке, сензорне или менталне способности, или људи који немају искуства или знање о опреми, ако се то ради под надзором одговорне особе ради њихове сигурности или су им одобрени подаци о сигурној употреби уређаја и свесни су опасности употребе уређаја. Деца се не смеју играти са опремом. Чишћење и одржавање уређаја не би требало да раде деца, осим ако су старија од 8 година и ове активности се изводе под надзором.

6. Прокухајте воду у резервоару и сипајте је два пута како бисте се ослободили мириса пре прве употребе.

7. Увек уклоните утикач из утичнице након употребе држећи утичницу руком након употребе.

8. Када уклањате утикач из утичнице, никада не повлачите кабл за напајање, него утикач.

9. Не излажите уређај атмосферским условима (киша, сунце итд.) И не користите у условима високе влажности (купатила, влажне мобилне кућице).

10. Не урањајте кабл, утикач и уређај у воду или било коју другу течност.

11. Повремено проверите стање кабла за напајање. Ако је кабл за напајање оштећен, замените га у специјалном сервису да бисте избегли опасност.

12. Не користите уређај са оштећеним каблом за напајање или ако је пао или оштећен на било који други начин или ако не ради исправно. Не поправљајте уређај сами, јер постоји опасност од струјног удара. Оштећени уређај однесите у одговарајући сервисни центар ради провере или поправке. Све поправке могу обављати само овлашћени сервиси. Неправилно извршени поправци могу озбиљно опасити за корисника.

13. Поставите уређај на хладну и стабилну површину, даље од врућих кухињских уређаја као што су: електрични шпорет, плински горионик итд.

14. Не користите уређај у близини запаљивих материјала.

15. Кабл за напајање можда не виси преко ивице стола или додирује вруће површине.

Произвођач није одговоран за штету насталу употребом уређаја супротно од његове наменске намене или неправилног рада. Не дозволите деци да се играју са уређајем, не дозволите деци или особама које нису упознате са уређајем да га користе.

16. Не остављајте уређај укљученим или адаптер без надзора без надзора.

17. Да бисте обезбедили додатну заштиту, пожељно је у електрични круг инсталирати уређај за заосталу струју (РЦД) са називно заосталом струјом која не прелази 30 мА. Питајте електричара за овај савет.

18. Никада не користите уређај без воде! Може бити оштећена.

19. Никада не усмерите млаз вруће паре или воде ка телу.

20. Никада не користите уређај са газираним водом !!!

21. Никада не остављајте уређај на температури нижој од 0 степени Целзијуса, јер може оштетити.

22. Пре пуњења резервоара водом увек искључите машину из мреже.

23. Редовно чистите и прегледајте машину како бисте осигурали квалитет добијене

кафе и продужили животни век машине.

24. Пре чишћења увек искључите извор напајања и оставите да се сви врући делови охладе. Уређај треба очистити благим неабразивним детерџентом. Никада не користите отапало за чишћење јер то може оштетити слој боје.

25. За уклањање каменца из машине користите средство за чишћење течности, намијењено апаратима за кафу под притиском.

26. За време употребе никада не дирајте кућиште филтра или млазницу за млевање млека јер постоји опасност од опекотина.

27. Користите само оригиналну додатну опрему.

28. Не померајте и не померајте уређај током рада.

Ова машина има класичне функције италијанске концентроване еспресо и кафе капућино. Богата арома и пјена за кафу, једноставан за руковање и сигуран, лак за чишћење.

#### ОПИС ПРОИЗВОДА: КАФЕШКИ СТРОЈ Cr4410

- |   |                                      |
|---|--------------------------------------|
| 1. Аутоматска појединачна шоља - дугме за аутоматску припрему 1 шољице кафе | 4. Ручно дугме за шољу за кафу       |
| 2. Аутоматска дупла шоља - тастер за аутоматску припрему 2 шољице кафе      | 6. Капајте решетку                   |
| 3. Тастер за напајање   | 8. Поклопац резервоара за воду       |
| 5. Дугме на пари  | 10. дугме за пару                    |
| 7. Поклопац капања за воду који се може уклонити                            | 12. Ручица млазница на пару          |
| 9. Резервоар за воду 1600мл   | 14. мерна кашика                     |
| 11. Главно кућиште  | 16. Држач филтера                    |
| 13. парна млазница  | 18. Филтер за млевену кафу за 1 шољу |
| 15. Држач филтера   | 20. Левак                            |
| 17. Кућиште филтера   | 22. Ознака за закључавање            |
| 19. Индикатор светлости   | 24. Филтер за млевену кафу за 2 шоље |
| 21. Ознака за откључавање   |                                      |
| 23. Ознака функције топле воде  |                                      |

#### Упутство за употребу

Пре прве употребе

Након отпакирања уређаја, проверите да ли су сви тастери доступни и да ли је прекидач за пару (10) искључен у положају "ОФ". Пре наношења обришите уређај (погледајте Чишћење и одржавање).

1. Извадите резервоар за воду (9), улијте воду у резервоар за воду (9), ниво воде не би требало да пређе ознаку "МАКС".

Препоручује се употреба филтриране воде. На тај се начин спречава накупљање креча и побољшава укус припремљене кафе. Не користите соду воду.

2. Два пута напуните топлу воду (упутства испод) да бисте уклонили фабрички нови мирис пре прве употребе.

3. Прикључите и притисните тастер за укључивање (3). У овом тренутку, индикатор светлости (19) трепери плаво. Притисните дугме за ручну шољу за кафу (4) да бисте радили на пумпи, испумпавајући воду из резервоара за воду у уређај за грејање.

4. Уређај почиње да се загрева, а светлосни индикатор (19) трепери плаво; када плаво светло престане да трепери и укључи стално плаво осветљење, загревање је завршено, потребно је око 2 минута.

5. Притисните дугме Ауто Сингле Цул (1) да бисте испустили топлу воду да опере филтер за кафу (18).

6. Поновите горе наведене кораке 3, 4, 5.

7. Испразните кондензацију из воде и кафе из уклоњивог лежишта за капање (7).

Како направити еспресо кафу?

Прикључите уређај на напајање и притисните тастер за напајање (3). У овом тренутку индикаторска лампица (19) трепери плаво, причекајте да престане да трепери, а затим ће уређај завршити грејање и биће спреман за употребу.

1. Док се уређај загрева, можете да ставите млевени прах за кафу (требало би да користите фини прах, не превише густ или претанак) у филтер млене кафе (18). За једну шољу еспресса користите једну кашику за мерење (14) омиљене млене кафе. За две шоље еспресса користите 1,5 кашику за мерење (14) ваше омиљене млене кафе. Затим користите ручицу мерне кашике (14) да је чврсто притиснете; истовремено обришите кафе у праху на ивици филтера (18). Можете користити филтер (24) погодан и за 2 шоље млене кафе.

2. Уметните филтер испуњен млевеном кафом (18) у кућиште филтра (17), држите га дршком филтера (15). Подметните филтер са млевеном кафом испод ознаке за откључавање (21), а затим га померите десном страном да га закључате, управо испод браве (22), а затим ставите шољу за кафу (или 2 шоље) испод лијевка (20).

3. Подесите положај шољице за кафу (или 2 шоље истовремено), оставите кафу да тече дуж зида шалице.

4. Притисните:

- дугме Ауто Сингле Цуп (1), чут ћете ди-ди звук, а затим ће почети тећи кафа према вашој шољи. Кафе престане да тече аутоматски, чут ћете ди-ди-ди-ди-ди звук. Појединачна кафа је око 100мл.
- дугме Ауто Доубле Цуп (2), чут ћете ди-ди звук, а затим почиње истацати кафу у две шоље истовремено. Кафе престане да тече аутоматски, чут ћете ди-ди-ди-ди-ди звук.
- дугме за ручну кафу (4) тастер за испуштање кафе колико год желите. Након што ће количина кафе бити жељена разина, поново притисните гумб за ручну шољу за кафу (4) како бисте зауставили истрјецање кафе. Уређај не остављајте без надзора, јер може прелићи кафу.
- 5. Причекајте минут да кафа капље и кафа је спремна.

#### Функција пенања на пару

1. Притисните дугме за пару (5), индикатор светлости (19) постаће црвени и трепће, кад се црвено светло промени из треперећег у непрекидно црвено светло, предгревање је завршено.
  2. Количина паре може се подесити у складу са искуством појединца. Пре печења млечну пену, воду треба пустити у млазници за пару (13). Препоручује се сипати млеко у 1/3 врча посуде, уметнути парну млазницу (13) у млеко на дубини од 1 цм, а затим полако одвијте дугме за пару (10) док пара не почне да се избацује. Можете мало намазати врч, али не додирујте дно посуде са парном млазницом (13).
  3. Када температура млека достигне око 75 степени Целзијуса и млечна пена се почне ширити, окрените дугме за пару (10) у положај "ОФФ", искључите дугме за пару (5) да бисте поставили индикатор светлости (19) постаје плава боја, притисните тастер за укључивање (3) директно да бисте искључили уређај.
- Након што се млечна пена доврши, на време очистите млеко на површини парне млазнице влажном крпом и распршите пару да млеко не би пресушило и блокирало одушак.

#### Како направити кафу од капућина?

1. Припремите шоље веће запремине погодне за кафу са капућином.
2. Припремите кафу према тачкама 1-5 описаним у делу: Како да направите еспресо кафу?
3. Припремите млечну пену у складу са тачкама 1-3, која су делом описана: Функција пењења паром.
4. Затим отресите врч на столу тако да се млечна пена потпуно измијеша и прелијте је у шољу са кафом.

#### Функција топле воде

1. Притисните дугме за напајање (3).
2. Уређај почиње да се загрева, а светлосни индикатор (19) трепери плаво; када плаво светло престане да трепери и укључи стално плаво осветљење, загревање је завршено, потребно је око 2 минута.
3. Подигните шољу испод парне млазнице (13).
4. Окрените дугме за пару (10) док из млазнице за пару (13) не изађе врућа вода. Ручица треба да пређе положај ознаке функције топле воде (23).
5. Притисните:
  - дугме Ауто Сингле Цуп (1), чут ћете ди-ди звук, а затим ће почети да тече топла вода - око 150мл - у вашу шољу. Вода престаје да тече аутоматски, чут ћете ди-ди-ди-ди-ди звук. Ако морате зауставити проток воде, одмах поново притисните дугме Ауто Сингле Цуп (1).
  - дугме Ауто Доубле Цуп (2), чут ћете ди-ди звук, а затим ће почети да тече вода - око 250 мл - у вашу шољу. Вода престаје да тече аутоматски, чут ћете ди-ди-ди-ди-ди звук. Ако морате да зауставите изливање воде, одмах поново притисните дугме Ауто Доубле Цуп (2).
  - дугме за ручну шољу за кафу (4) да излази топла вода онолико дуго колико је потребно. Не остављајте уређај без контроле. Након што је количина топле воде на вашем жељеном нивоу, поново притисните дугме за ручну шољу за кафу (4) како бисте зауставили истрјецање вруће воде. Ако морате да зауставите изливање воде, одмах поново притисните дугме за ручну шољу за кафу (4).
6. Када завршите, искључите дугме за пару (10), а затим притисните тастер за укључивање (3).
7. Топла вода се може користити за пиће, чишћење или загревање шољица пре него што сипате кафу.

#### Чишћење и одржавање

1. Искључите дугме за напајање (3), ископчајте га и очистите уређај након што се потпуно охлади.
  2. Након употребе увек испразните резервоар за воду (9). Повремено очистите резервоар за воду (9) влажном сунђером или крпом.
  3. Одвојите филтер (18) и уклоните искоришћену кафу из филтра. Ако су рупе филтера зачепљене кафом, очистите је четком. Можете одврнути левак за кафу (20) и очистити земљу за кафу у кућишту филтра (17).
  4. Шалице, резервоар за воду (9), решетка за капање (6), уклоњива посуда за капање (7), филтер (15 + 16 + 17 + 18 + 20) могу се опрати у води неким благим детерџентом, без абразивних материја или растварача. Спољне делове треба очистити меком крпом или сунђером. Високо абразивна средства за чишћење или четке могу изазвати оштећења на површини.
- Напомена: Не користите алкохол или средство за чишћење растварача и не потапајте машину у воду да бисте је очистили.

#### ДЕЦАЛЦИФИКАЦИЈА

Ако за припрему кафе треба дуже времена него на почетку употребе или млазница за пару (13) не ствара пару, уређај треба декалцификовати. Ако се користи тврда вода, уређај треба декалцификовати након што се користи око 40 пута. Ако се користи

мека вода, машина се може декалцификовати након што се користи око 80 пута. Текући декалцификатор за еспресо машину може се користити за декалцификовање уређаја. Пре декалцификације проверите да ли је уређај искључен из напајања.

- 1) Улијте приближно 250 мл млаке воде, а затим додајте 250 мл течног декалцификатора еспресо машине.
- 2) Поставите филтер (15 + 16 + 17 + 18 + 20) у закључани положај у уређај. Затим ставите шољу напола напуњену хладном водом испод млазнице за пару (13) и празну шољу испод лијевка за филтер (20).
- 3) Прикључите уређај на напајање.
- 4) Притисните дугме за напајање (3).
- 5) Затим притисните тастер Ауто Сингле Цуп (1).
- 6) Када декалцификатор почне тећи доле у празну шољу, уметните врх млазнице за пару (13) у чашу напуњену хладном водом и притисните дугме за пару (5).
- 7) Сачекајте неколико секунди и искључите уређај. Након декалцификације уређај треба три пута испрати чистом водом. Да бисте то учинили, поновите кораке 1 до 7 пуњења резервоара за воду (9) само чистом водом.

Решавање проблема

Симптом: Нема воде / нема паре

Разлог 1: Да ли резервоар за воду (9) има воду унутра / постоји?

Решење 1: Додајте воду у резервоар (9).

Разлог 2: У машину се унапред не додаје вода.

Решење 2: Начин додавања воде: притисните дугме за ручну шољу за кафу (4), пумпа почиње да пумпа воду у уређај, а након неколико секунди притисните дугме за ручну кафу (4).

Разлог 3: Машина не завршава предгријавање.

3. решење: Сачекајте. Машина може да прави кафу по завршетку загревања. Загријавање је завршено када се индикатор сјветла

(19) промијени из плаве треперења у увијек плаву.

Симптом: Нема паре

Разлог 1: Отвор за пару је блокиран

Решење 1: Помоћу мале жице пробušите малу рупу на дну парне млазнице (13), очистите је на овај начин.

Решење 2. Пошто је млечна пена готова, урадите функцију топле воде да бисте очистили парну цев.

Симптом: Лоша млечна пена

Разлог 1: Да ли је то потпуно млеко?

Решење 1: Користите пуномасно млеко.

Симптом: Лоша млечна пена

Разлог 1: Дугме за пару (5) почиње пећи млечну пену пре него што се уређај потпуно загреје.

Решење 1: Сачекајте. Започните парење након што индикатор светлости (19) промени боју из црвене трепере у континуирано црвену.

ТЕХНИЧКИ ПОДАЦИ:

Капацитет мак: 1.6 л

Напон: 220-240В ~ 50 / 60Хз

Снага: 850В

Снага Мак: 1000В

Притисак: 15 бара



За заштиту животне средине: молимо вас да одвојите картонске кутије и пластичне кесе и одложите их у одговарајуће канте за смеће. Коришћени уређај треба да буде испоручен на наменске сакупљане тачке због оштрих компоненти, што може утицати на животну средину. Немојте одлагати овај уређај у заједничку корпу за отпатке.

(SV) SVENSKA

**ALLMÄNNAN SÄKERHETSVILLKOR VIKTIGA SÄKERHETSINSTRUKTIONER. LÄS NU OCH SPARA FÖR FRAMTID**

1. Innan du använder enheten, läs bruksanvisningen och följ instruktionerna i den.
2. Enheten är endast för hemmabruk. Använd inte för andra ändamål som inte är avsedda för det.
3. Enheten ska endast anslutas till ett jordat uttag på 220-240 V ~ 50/60 Hz. För att öka driftsäkerheten bör flera elektriska enheter inte anslutas till en strömkrets samtidigt.
4. Var försiktig när du använder enheten när barn är i närheten.

5. **WARNING:** Denna utrustning kan användas av barn över 8 år och personer med nedsatt fysisk, sensorisk eller mental förmåga, eller personer som inte har erfarenhet eller kunskap om utrustningen, om detta görs under övervakning av en ansvarig person för deras säkerhet eller har fått dem information om säker användning av enheten och är medvetna om farorna med att använda den. Barn ska inte leka med utrustningen. Rengöring och underhåll av enheten bör inte utföras av barn, såvida de inte är äldre än 8 år och dessa aktiviteter utförs under övervakning.
6. Koka upp vattnet i tanken och håll det två gånger för att bli av med lukten före första användning.
7. Ta alltid ut kontakten från eluttaget efter användning genom att hålla uttaget med handen efter användning.
8. När du tar bort kontakten ur uttaget, dra aldrig i nätsladden utan i kontakten.
9. Utsätt inte enheten för atmosfäriska förhållanden (regn, sol, etc.) eller användning vid förhållanden med hög luftfuktighet (badrum, fuktiga husbilar).
10. Sänk inte ned kabeln, kontakten och enheten i vatten eller någon annan vätska.
11. Kontrollera regelbundet nätkabelns tillstånd. Om nätsladden är skadad bör den bytas ut av en specialistverkstad för att undvika fara.
12. Använd inte enheten med en skadad nätsladd eller om den har tappats eller skadats på något annat sätt eller om den inte fungerar korrekt. Reparera inte enheten själv eftersom det finns risk för elektrisk stöt. Ta den skadade enheten till ett lämpligt servicecenter för kontroll eller reparation. Alla reparationer får endast utföras av auktoriserade servicepunkter. Felaktigt utförda reparationer kan orsaka allvarlig fara för användaren.
13. Placera enheten på en sval, stabil yta, borta från heta köksapparater som: elektrisk spis, gasbrännare, etc.
14. Använd inte enheten i närheten av brandfarliga material.
15. Nätkabeln kanske inte hänger över kanten på ett bord eller vidrör heta ytor. Tillverkaren ansvarar inte för skador orsakade av att använda enheten i strid med dess avsedda syfte eller felaktig användning. Låt inte barn leka med enheten, låt inte barn eller personer som inte känner till enheten använda den.
16. Låt inte enheten vara påslagen eller adaptern utan tillsyn när den är utan tillsyn.
17. För att ge ytterligare skydd rekommenderas att installera en restströmsenhet (RCD) i den elektriska kretsen med en nominell restström som inte överstiger 30 mA. Fråga en elektriker om detta råd.
18. Använd aldrig enheten utan vatten! Det kan vara skadat.
19. Rikta aldrig en ström av het ånga eller vatten mot kroppen.
20. Använd aldrig enheten med glittrande vatten !!!
21. Lämna aldrig enheten vid en temperatur under 0 grader Celsius, eftersom den kan skada den.
22. Koppla alltid ur maskinen innan du fyller tanken med vatten.
23. Rengör och inspektera maskinen regelbundet för att säkerställa kvaliteten på det erhållna kaffe och förlänga maskinens livslängd.
24. Koppla alltid bort strömkällan innan rengöring och låt alla heta delar svalna. Enheten ska

rengöras med ett mildt rengöringsmedel. Använd aldrig rengöringsmedel eftersom det kan skada färgskiktet.

25. För avkalkning av maskinen, använd en flytande avkalkningsanordning avsedd för tryckkaffe.

26. Vid användning får du aldrig vidröra filterhuset eller mjölkskummunstycket, eftersom det finns risk för brännskador.

27. Använd endast originaltillbehör.

28. Flytta eller flytta inte enheten under drift.

Den här maskinen har en klassisk funktion av italiensk koncentrerad espresso och cappuccinokaffe. Rik kaffearoma och skum, lätt att använda och säkert, lätt att rengöra.

#### PRODUKTBESKRIVNING: KAFFEMASKIN Cr4410

- |  |   |
|--|---|
| 1. Auto Single Cup - knapp för automatisk förberedelse av 1 kopp kaffe   | 4. Manuell kaffekoppsknapp              |
| 2. Auto Double Cup - knapp för automatisk förberedelse av 2 koppar kaffe | 5. Ångknapp                             |
| 3. Strömbrytare  | 6. Droppgitter                          |
| 7. Löstagbart droppbricka  | 8. Lock för vattentank                  |
| 9. Vattentank 1600ml   | 10. Ångvred                             |
| 11. Huvudhus   | 12. Ångmunstycksbandtag                 |
| 13. Ångmunstycke   | 14. Mätsked                             |
| 15. Filterhandtag  | 16. Filterhållarklips                   |
| 17. Filterhus  | 18. Filtera för malet kaffe i 1 kopp    |
| 19. Ljusindikator  | 20. Tratt                               |
| 21. Lås upp märket   | 22. Låsmarkering                        |
| 23. Funktionsmärke för varmt vatten                                      | 24. Filter för malet kaffe för 2 koppar |

#### Driftsinstruktion

Innan du använder den första gången

När du har packat upp enheten, kontrollera med att alla knappar finns tillgängliga och ångvredet (10) är avstängt i läget "OFF". Torka av enheten innan du applicerar (se Rengöring och underhåll).

1. Ta bort vattentanken (9), häll vatten i vattentanken (9), vattennivån får inte överskrida märket "MAX". Det rekommenderas att använda filtrerat vatten. Detta förhindrar kalkuppsamling och förbättrar smaken på det beredda kaffet. Använd inte sodavatten.
2. Kör varmt vatten två gånger (anvisningar nedan) för att ta bort fabrikenes nya lukt före första användning.
3. Anslut och tryck på strömbrytaren (3). För närvarande blinkar lampan (19) blått. Tryck på knappen Manuell kaffekopp (4) för att arbeta pumpa, pumpa vatten från vattentanken till enheten för uppvärmning.
4. Enheten börjar förvärma, just nu blinkar lampan (19) blått; när det blå ljuset slutar att blinka och slår på kontinuerlig blå belysning är uppvärmningen klar, det tar cirka 2 minuter.
5. Tryck på knappen Auto Single Cup (1) för att släppa ut det varma vattnet för att tvätta kaffefiltret (18).
6. Upprepa steg 3, 4, 5 ovan.
7. Töm kondens från vatten och kaffe från det borttagbara droppbrickan (7).

Hur gör jag espressokaffe?

Anslut enheten till strömförsörjningen och tryck på strömbrytaren (3). Just nu blinkar indikatorlampan (19) blått, vänta tills den slutar blinka, sedan slutar enheten upphettningen och är klar att användas.

1. Medan enheten förvärms kan du lägga det malda kaffepulvret (du bör använda det fina pulvret, inte för tjockt eller för tunt) i det malta kaffefiltret (18). För en espressokopp använder du en mätsked (14) av ditt favoritmalta kaffe. För två espressokoppar, använd 1,5 målske (14) av ditt favoritmalta kaffe. Använd sedan mätskedhandtaget (14) för att trycka det ordentligt; torka samtidigt kaffepulveret på kanten av filtret (18). Du kan också använda filtret (24) som är lämpligt för 2 koppar malet kaffekapacitet.
2. Sätt i det malda kaffefyllta filtret (18) i filterhuset (17), håll det i filterhandtaget (15). Montera filtret med malet kaffe under låsningsmärket (21), flytta det sedan på höger sida för att låsa det, precis under låsmärket (22), placera sedan kaffekoppen (eller 2 koppar) under tratten (20).
3. Justera kaffekoppens läge (eller 2 koppar samtidigt), låt kaffet flyta längs koppväggen.
4. Tryck på:
  - Auto Single Cup-knappen (1), du hör di-di-ljud, sedan börjar det strömma ut ett kaffe till din kopp. Kaffe stoppar flyter automatiskt ut, du hör di-di-di-di-di-ljud. Enkelt kaffe har cirka 100 ml kapacitet.
  - Auto Double Cup-knappen (2), du hör di-di-ljud, sedan börjar det strömma ut kaffet till 2 koppar samtidigt. Kaffe stoppar flyter automatiskt ut, du hör di-di-di-di-di-ljud.
  - knappen Manuell kaffekopp (4) för att rinna ut kaffe så länge du vill. När mängden kaffe är önskad nivå trycker du på knappen Manuell



kaffekopp (4) igen för att stoppa flödet ur kaffe. Lämna inte apparaten utan uppsikt, det kan strömma över kaffe.

5. Vänta en minut tills kaffet droppar och kaffet är klart.

### Ångskumningsfunktion

1. Tryck på Steam-knappen (5), lampindikatorn (19) blir röd och den blinkar, när den röda lampan ändras från att blinka till kontinuerligt rött ljus, förvärmningen är klar.
2. Ångmängden kan justeras efter individens kunskaper. Innan skummet av mjölkskummet bör du släppa ut vattnet i ångmunstycket (13). Det rekommenderas att hålla mjölken i 1/3-höjden på kannan, sätt in ångmunstycket (13) i mjölken på 1 cm djup och skruva sedan långsamt av ångvredet (10) tills ångan börjar matas ut. Du kan svaja kannan lite, men kontakta inte botten av kannan med ångmunstycket (13).
3. När mjölktemperaturen når cirka 75 grader Celsius och mjölkskummet börjar expanderas, vrid ångvredet (10) till "OFF" -läge, stäng av ångknappen (5) för att göra ljusindikatorn (19) blir blå, tryck direkt på strömbrytaren (3) för att stänga av enheten. Rengör mjölken på ångmunstyckets yta med en fuktig trasa i tid och sprej ångan för att förhindra att mjölken torkar ut och blockerar ventilen.

### Hur gör jag cappuccinokaffe?

1. Förbered koppar med större volym som är lämpliga för cappuccinokaffe.
2. Förbered kaffe enligt punkterna 1-5 som beskrivs delvis: Hur gör jag espressokaffe?
3. Förbered mjölkskummet enligt punkterna 1-3 som beskrivs delvis: Ångskumningsfunktion.
4. Skaka sedan kannan på bordet så att mjölkskummet är helt blandat och håll det i koppen med kaffe.

### Varmvattenfunktion

1. Tryck på strömbrytaren (3).
2. Enheten börjar förvärma, just nu blinkar lampan (19) blått; när det blå ljuset slutar att blinka och slår på kontinuerlig blå belysning är uppvärmningen klar, det tar cirka 2 minuter.
3. Ställ upp koppen under ångmunstycket (13).
4. Vrid ångvredet (10) tills ångmunstycket (13) rinner ut varmt vatten. Vredet ska överskrida läget för varumärket för varmt vatten (23).
5. Tryck på:
  - Auto Single Cup-knappen (1), du hör di-di-ljud, sedan börjar det rinna ut varmt vatten - cirka 150 ml - till din kopp. Vattnet stoppar automatiskt ut, du hör di-di-di-di-ljud. Om du måste stoppa vattenflödet trycker du omedelbart på knappen Auto Single Cup (1) igen.
  - Auto Double Cup-knappen (2), du hör di-di-ljud, sedan börjar det rinna ut vattnet - cirka 250 ml - till din kopp. Vattnet stoppar automatiskt ut, du hör di-di-di-di-ljud. Om du måste stoppa vattenflödet trycker du omedelbart på Auto Double Cup-knappen (2) igen.
  - knappen Manuell kaffekopp (4) för att rinna ut varmt vatten så länge som det behövs. Lämna inte enheten utan kontroll. När mängden varmt vatten är önskad nivå trycker du på knappen Manuell kaffekopp (4) igen för att stoppa flödet ur varmt vatten. Tryck omedelbart på knappen Manuell kaffekopp (4) om du måste stoppa vattenflödet.
6. När du är klar, stäng av ångvredet (10) och tryck sedan på strömbrytaren (3).
7. Det varma vattnet kan användas för att dricka, rengöra eller värma koppar innan du häller ditt kaffe.

### Städning och underhåll

1. Stäng av strömbrytaren (3), koppla ur den och rengör enheten efter att den har kylts helt.
  2. Töm alltid vattentanken (9) efter användning. Rengör då och då vattenbehållaren (9) med en fuktig svamp eller trasa.
  3. Ta bort filtret (18) och ta bort använt kaffe från filtret. Om filterhålen är igensatta med kaffe, använd en borste för att rengöra det. Du kan skruva ut kaffetrakten (20) och rengöra kaffesidan i filterhuset (17).
  4. Kopparna, vattentanken (9), droppgallret (6), avtagbart droppbricka (7), filter (15 + 16 + 17 + 18 + 20) kan tvättas i vatten med något mildt rengöringsmedel utan slipande ämnen eller lösningsmedel. Externa delar ska rengöras med en mjuk trasa eller svamp. Starka rengöringsmedel eller borstar kan orsaka repor på ytan.
- Obs: Använd inte alkohol eller lösningsmedelsrengörare och sänk inte ned maskinen i vatten för att rengöra den.

### AVKALKNING

Om kaffeavgivning tar längre tid än i början av användning eller om ångmunstycket (13) inte producerar ånga, bör apparaten avkalkas. Om hårt vatten används ska apparaten avkalkas efter att den har använts ungefär 40 gånger. Om mjukt vatten används kan maskinen avkalkas efter att den har använts cirka 80 gånger. Espressomaskinens flytande avkalkningsmedel kan användas för avkalkning av apparaten. Innan du avkalkar, se till att enheten är fränkopplad från strömförsörjningen.

- 1) Häll ungefär 250 ml ljummet vatten och tillsätt sedan 250 ml espressomaskin flytande avkalkningsmedel.
- 2) Placera filtret (15 + 16 + 17 + 18 + 20) i låst läge i enheten. Lägg sedan en kopp halvfyllt med kallt vatten under ångmunstycket (13) och en tom kopp under filtertratten (20).
- 3) Anslut enheten till strömförsörjningen.
- 4) Tryck på strömbrytaren (3).
- 5) Tryck sedan på knappen Auto Single Cup (1).
- 6) När avkalkningsanordningen börjar strömma ner i en tom kopp, sätt in spetsen på ångmunstycket (13) i en kopp fylld med kallt vatten och tryck på ångknappen (5).
- 7) Vänta i några sekunder och stäng av enheten. Efter avkalkning måste enheten sköljas tre gånger med rent vatten. För att göra det, upprepa steg 1 till 7 och fyll bara vattentanken (9) med rent vatten.

## Felsökning

Symtom: Inget vatten / ingen ånga

Orsak 1: Om vattentanken (9) har vatten inuti / är på plats?

Lösning 1: Tillsätt vatten till tanken (9).

Orsak 2: Inget vatten tillsätts i förväg i maskinen.

Lösning 2: Metod för tillsats av vatten: tryck på knappen Manuell kaffekopp (4), pumpen börjar pumpa vatten i enheten, tryck på manuell kaffekoppsknapp (4) efter några sekunder.

Skäl 3: Maskinen slutför inte förvärmningen.

Lösning 3: Vänta. Maskinen kan göra kaffe efter att uppvärmningen är klar. Uppvärmningen är klar när ljusindikatorn (19) ändras från blått blinkande till att alltid vara på blått.

Symtom: Ingen ånga

Skäl 1: Ånghål blockerat

Lösning 1: Använd en liten tråd för att sticka det lilla hålet i botten av ångmunstycket (13), rengör det på detta sätt.

Lösning 2: När mjölkskummet är klart gör du en varmvattenfunktion för att rengöra ångröret.

Symtom: Dåligt mjölkskum

Anledning 1: Är det mjölk?

Lösning 1: Använd helmjök.

Symtom: Dåligt mjölkskum

Orsak 1: Ångknappen (5) börjar skumma mjölkskum innan enheten värms upp helt.

Lösning 1: Vänta. Börja ånga efter att lampindikatorn (19) byter färg från rött blinkande till kontinuerligt rött.

## TEKNISK DATA:

Kapacitet max: 1,6 liter

Spänning: 220-240V ~ 50 / 60Hz

Effekt: 850W

Effekt Max: 1000W

Tryck: 15 barer



Vi sköter om miljön. Överlämna förpackningar i kartong till pappersavfall. Polyetylsäckar (PE) slängs i avfallsbehållare för plast. Man bör lämna en gammal apparat till en riktig återvinningscentral, eftersom farliga komponenter i apparaten kan orsaka fara till miljön. En elektrisk apparat bör lämnas för att minska förnyad användning av denna. Om apparaten innehåller batterier, bör man ta bort dem och lämna dem separat till återvinningscentraler.