



**ICY BOX®**

## **Manual IB-RD3621-C31**

USB 3.1 (Gen 2) Raid enclosure for 2x 2.5"/3.5" SATA drives

### **Handbuch IB-RD3621-C31**

USB 3.1 (Gen 2) Raidgehäuse für 2x 2,5"/3,5" SATA Laufwerke





## Safety information IB-RD3621-C31

**Please read carefully the following information to prevent injuries, damage to material and device as well as data loss:**

### Warning levels

Signal words and safety codes indicate the warning level and provide immediate information in terms of the probability of occurrence as well as the type and severity of the consequences if the measures to prevent hazards are not complied with.

- |  |                  |   |
|--|------------------|---|
|  | <b>DANGER</b>    | Warns of a <b>directly</b> hazardous situation causing <b>death or serious injury</b> .                                       |
|  | <b>WARNING</b>   | Warns of a <b>potentially</b> hazardous situation that <b>may</b> cause death or serious injury.                              |
|  | <b>CAUTION</b>   | Warns of a <b>potentially</b> hazardous situation that <b>may</b> cause minor injury.   |
|  | <b>IMPORTANT</b> | Warns of a <b>potential</b> situation that <b>may</b> cause material or environmental damage and disrupt operative processes. |

### 1. Risk of electrical shock

#### **WARNING** **Contact with parts conducting electricity**

Risk of death by electrical shock

- Read the operating instructions prior to use
- Make sure the device has been de-energised prior to working on it
- Do not remove contact protection panels
- Avoid contact with conducting parts
- Do not bring plug contacts in contact with pointed and metal objects
- Use in intended environments only
- Operate the device using a power unit meeting the specifications of the type plate only!
- Keep the device/power unit away from humidity, liquid, vapour and dust
- Do not modify the device
- Do not connect the device during thunderstorms
- Approach specialist retailers if you require repairs

### 2. Hazards during assembly (if intended)

#### **CAUTION** **Sharp components**

Potential injuries to fingers or hands during assembly (if intended)

- Read the operating instructions prior to assembly
- Avoid coming into contact with sharp edges or pointed components
- Do not force components together
- Use suitable tools
- Use potentially enclosed accessories and tools only

### 3. Hazards caused by a development of heat

#### **IMPORTANT** **Insufficient device/power unit ventilation**

Overheating and failure of the device/power unit

- Prevent externally heating up components and ensure an exchange of air
- Do not cover the fan outlet and passive cooling elements
- Avoid direct sunlight on the device/power unit
- Guarantee sufficient ambient air for the device/power unit
- Do not place objects on the device/power unit



## Safety information IB-RD3621-C31

### 4. Hazards caused by very small parts and packaging

#### **WARNING**

#### **Risk of suffocation**

Risk of death by suffocation or swallowing

- Keep small parts and accessories away from children
- Store/dispose of plastic bags and packaging in an area that is inaccessible to children
- Do not hand over small parts and packaging to children

### 5. Potential data loss

#### **IMPORTANT**

#### **Data lost during commissioning**

Potentially irreversible data loss

- Always comply with the information in the operating instructions/quick installation guide
- Exclusively use the product once the specifications have been met
- Back up data prior to commissioning
- Back up data prior to connecting new hardware
- Use accessories enclosed with the product

### 6. Cleaning the device

#### **IMPORTANT**

#### **Harmful cleaning agents**

Scratches, discolouration, damage caused by moisture or short circuit in the device

- Disconnect the device prior to cleaning
- Aggressive or intense cleaning agents and solvents are unsuitable
- Make sure there is no residual moisture after cleaning
- We recommend cleaning devices using a dry, anti-static cloth

### 7. Disposing of the device

#### **IMPORTANT**

#### **Environmental pollution, unsuitable for recycling**

Potential environmental pollution caused by components, recycling circle interrupted



This icon on product and packaging indicates that this product must not be disposed of as part of domestic waste. In compliance with the Waste Electrical and Electronic Equipment Directive (**WEEE**) this electrical device and potentially included batteries must not be disposed of in conventional, domestic waste or **recycling waste**. If you would like to dispose of this product and potentially included batteries, please return it to the retailer or your local waste disposal and recycling point.

If you have any questions, please do not hesitate to contact our support at [support@raidsonic.de](mailto:support@raidsonic.de) or visit our website at [www.raidsonic.de](http://www.raidsonic.de).

Note: All the information contained in this manual was correct at the time of publication. However, as our engineers are always updating and improving the product, your device's software may have a slightly different appearance or modified functionality than presented in this manual.



## Sicherheitshinweise IB-RD3621-C31

**Zur Vermeidung körperlicher Schäden, sowie von Sach-, Geräteschäden und Datenverlust beachten Sie bitte folgende Hinweise:**

### Warnstufen

Signalwort und Sicherheitszeichen kennzeichnen die Warnstufe und geben einen sofortigen Hinweis auf Wahrscheinlichkeit, Art und Schwere der Folgen, wenn die Maßnahmen zur Vermeidung der Gefahr nicht befolgt werden.

**GEFAHR** warnt vor einer **unmittelbar** gefährlichen Situation, die zum Tod oder zu schweren Verletzungen führen **wird**.

**WARNUNG** warnt vor einer **möglicherweise** gefährlichen Situation, die zum Tod oder zu schweren Verletzungen führen **kann**.

**VORSICHT** warnt vor einer **möglicherweise** gefährlichen Situation, die zu leichten Verletzungen führen **kann**.

**ACHTUNG** warnt vor einer **möglichen** Situation, die zu Sach- und Umweltschäden führen und den Betriebsablauf stören **kann**.

### 1. Gefahren durch elektrische Spannung

**WARNUNG** **Kontakt mit elektrisch leitenden Teilen**  
Lebensgefahr durch Stromschlag

- vor Benutzung Betriebsanleitung lesen
- vor Arbeiten am Gerät, Spannungsfreiheit sicherstellen
- Kontaktschutzblenden nicht entfernen
- Kontakt mit Spannungsführenden Komponenten vermeiden.
- Steckkontakte nicht mit spitzen und metallischen Gegenständen berühren
- Verwendung nur in dafür vorgesehenen Umgebungen
- Gerät ausschließlich mit Typenschildkonformen Netzteil betreiben!
- Gerät/Netzteil fern von Feuchtigkeit, Flüssigkeit, Dampf und Staub halten
- Eigenständige Modifikationen sind unzulässig
- Gerät nicht während eines Gewitters anschließen
- Geben Sie Ihr Gerät im Reparaturfall in den Fachhandel

### 2. Gefahren während Montage (wenn vorgesehen)

**VORSICHT** **Scharfkantige Bauteile**  
Finger- oder Handverletzungen bei Zusammenbau (wenn vorgesehen) möglich

- vor Montage, Betriebsanleitung lesen
- Kontakt mit scharfen Kanten oder spitzen Bauteilen vermeiden
- Bauteile nicht mit Gewalt zusammensetzen
- geeignetes Werkzeug verwenden
- nur gegebenenfalls mitgeliefertes Zubehör und Werkzeug verwenden

### 3. Gefahren durch Wärmeentwicklung

**ACHTUNG** **Mangelhafte Belüftung des Geräts/Netzteils**  
Überhitzung und Ausfall des Geräts/Netzteils

- externe Erwärmung vermeiden und Luftaustausch zulassen
- Lüfter-Auslass und passive Kühlkörper freihalten
- direkte Sonneneinstrahlung auf Gerät/Netzteil vermeiden
- ausreichend Umgebungsluft für Gerät/Netzteil sicherstellen
- keine Gegenstände auf dem Gerät/Netzteil abstellen



## Sicherheitshinweise IB-RD3621-C31

### 4. Gefahren durch Kleinstteile und Verpackung

**⚠ WARNUNG Erstickungsgefahr**  
Lebensgefahr durch Ersticken oder Verschlucken

- Kleinteile, Zubehör für Kinder unzugänglich verwahren
- Plastikfäden und Verpackung für Kinder unzugänglich verwahren/entsorgen
- Kleinteile und Verpackungen nicht in Kinderhände geben

### 5. Möglicher Datenverlust

**ACHTUNG Datenverlust bei Inbetriebnahme**  
Unwiederbringlicher Datenverlust möglich

- Unbedingt Hinweise in der Bedienungsanleitung/Schnellinstallationsanleitung beachten
- Produkt nur verwenden, wenn Spezifikationen erfüllt sind
- Datensicherung vor Inbetriebnahme durchführen
- Datensicherung vor Anschluss neuer Hardware durchführen
- dem Produkt beiliegendes Zubehör verwenden

### 6. Reinigung des Gerätes

**ACHTUNG Schädigende Reinigungsmittel**  
Kratzer, Farbveränderungen, Feuchteschäden oder Kurzschluss am Gerät

- vor Reinigung, das Gerät außer Betrieb nehmen
- aggressive bzw. scharfe Reinigungs- und Lösungsmittel sind ungeeignet
- nach der Reinigung sicherstellen, dass keine Restfeuchtigkeit vorhanden ist
- Reinigung der Geräte am besten mit trockenem Antistatiktuch durchführen

### 7. Entsorgung des Gerätes

**ACHTUNG Umweltverschmutzung, Wiederverwertung nicht möglich**  
Mögliche Umweltbelastung durch Bestandteile, Recyclingkreislauf unterbrochen



Dieses auf dem Produkt und der Verpackung angebrachte Symbol zeigt an, dass dieses Produkt nicht mit dem Hausmüll entsorgt werden darf. In Übereinstimmung mit der Richtlinie über Elektro- und Elektronik-Altgeräte (**WEEE**) darf dieses Elektrogerät und ggf. enthaltene Batterien nicht im normalen Hausmüll oder dem **Gelben Sack** entsorgt werden. Wenn Sie dieses Produkt und ggf. enthaltene Batterien entsorgen möchten, bringen Sie diese bitte zur Verkaufsstelle zurück oder zum Recycling-Sammelpunkt Ihrer Gemeinde.

Bei Fragen kontaktieren Sie gerne unseren Support unter [support@raidsonic.de](mailto:support@raidsonic.de) oder besuchen Sie unsere Internetseite [www.raidsonic.de](http://www.raidsonic.de).

Hinweis: Alle in diesem Handbuch enthaltenen Informationen waren zum Zeitpunkt der Veröffentlichung korrekt. Da unsere Ingenieure das Produkt jedoch ständig aktualisieren und verbessern, kann es sein, dass die Software Ihres Geräts ein etwas anderes Design oder eine andere Funktionalität aufweist als in diesem Handbuch beschrieben.



# Manual IB-RD3621-C31

## 1. GENERAL INFORMATION

### 1.1 Usage cautions

User should not modify this device. The environmental temperature should be within  $+5^{\circ} \sim +35^{\circ} \text{C}$ .

### 1.2 Power

Power voltage: DC 12 V.

When using this device, please connect the supplied AC adapter or AC adapter cable to the power jack of device. When placing the adapter cable, make sure it cannot get damaged or be subject to pressure. To reduce the risk of electric shock, unplug the adapter first before cleaning it. Never connect the adapter to the device in a humid or dusty area. Do not replace the adapter or cable's wire or connector.

### 1.3 Radio interference/compatibility

If not properly shielded, almost all electronic devices will get radio interference. Under some conditions, your device might get interference.

- The design of this device has followed the FCC/CE standard, and has followed the following rules:

- (1) This device may not cause harmful interference.
- (2) This device could accept some interference received including interference that may cause undesired operation.

### 1.4 Repair

If the device has a problem, you should take it to an appointed repair center and let the specialists do the repair, never repair the device yourself, you might damage the device or endanger yourself or your data.

### 1.5 Disposing of the device

When you dispose of the device, be sure to dispose it appropriately. Some countries may regulate disposal of electrical device, please consult with your local authority.

### 1.6 Others

When using this device, please do not let the device come into contact with water or other liquid, if water is accidentally spilled on the device, please use a dry cloth to absorb the spillage.

Do not disassemble the device; repair the device or change the design of the device, any damage done will not be included in the repair policy.

Avoid hitting the device with hard object, avoid shaking the device, and stay away from magnetic fields. During electrostatic discharge and the strong electromagnetic field, the product will malfunction, and then unplug the power cable and the product will return to normal performance next time it is powered on.

**Note:** All the information contained in this manual was correct at the time of publication. However, as our engineers are always updating and improving the product, your device's software may have a slightly different appearance or modified functionality than presented in this manual.

Please visit our website [www.raidsonic.de](http://www.raidsonic.de) for updated manuals and firmware.

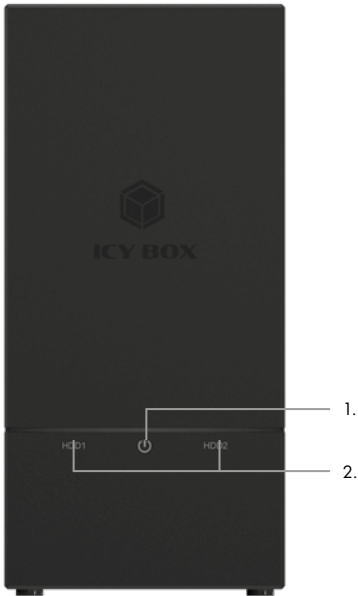
# Manual IB-RD3621-C31

## 2 PRODUCT OVERVIEW

### 2.1 Package content

1x IB-RD3621-C31, 1x wall power supply, 1x USB Type-C™ to Type-C™ cable, 2x 2.5" to 3.5" SSD/HDD bracket, 1x set of screws, 1x manual

### 2.2 Front view



1. LED for power
2. LED for HDD1/HDD2
 

Blue	HDD ready
Purple	HDD access
Red	HDD failure
Red flashing	RAID rebuilding

### 2.3 Rear view



1. RAID-DIP-Switch
2. RAID confirmation button
3. Host connector: USB 3.1 (Gen 2) Type-C™
4. Power connector
5. Power button

# Manual IB-RD3621-C31

## 3. 2.5" or 3.5" DRIVE INSTALLATION

### Note!

Before installing the hard drive, please disconnect the power plug from the outlet. It may cause electric shock accident or malfunction. When connecting the hard drive, please note the electrostatic! Body's static electricity may cause malfunction of the device. Please touch a metal object to discharge or wear antistatic gloves before the operation.

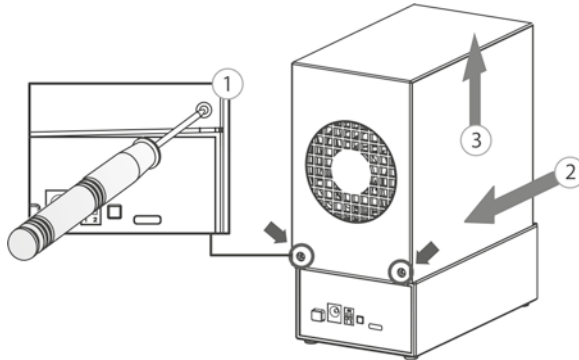
### Attention!

PCB of this device and HDDs are precision machinery, please be careful do not collision and please notice the direction of HDD

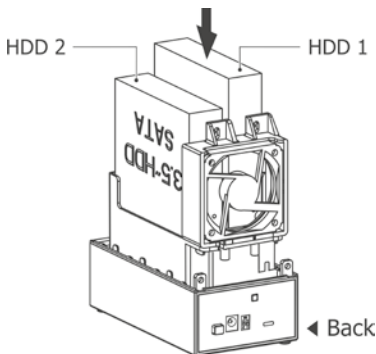
Be careful the cutting edge inside may cut hand!

If hard disk already contains data, please backup data **before** installation to prevent data loss.

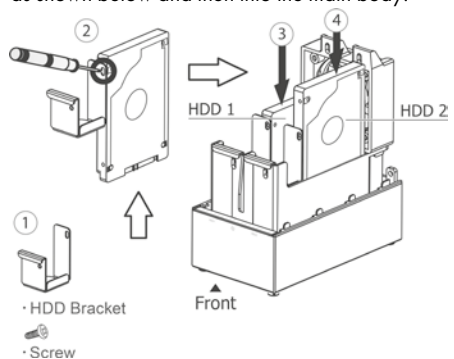
1. Detach the screws on the rear side. Slide the cover out to the back and then pull it up.



2. 3.5" drive  
2.1 Install the 3.5" drive gently



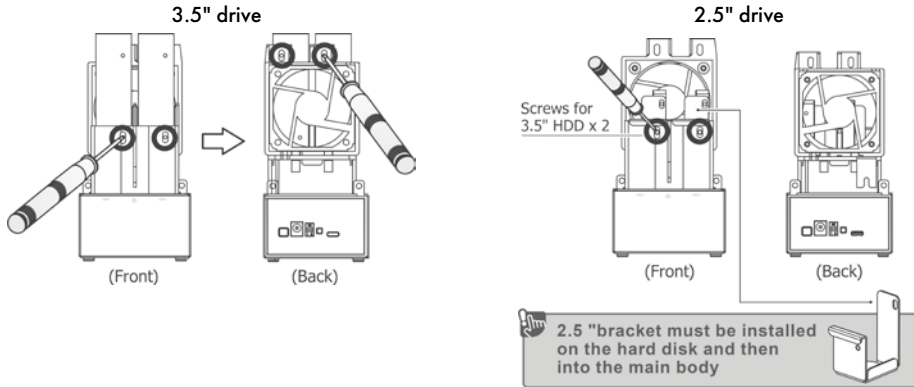
2.5" drive  
2.2 Firstly the 2.5" bracket must be installed on the 2.5" drive as shown below and then into the main body!



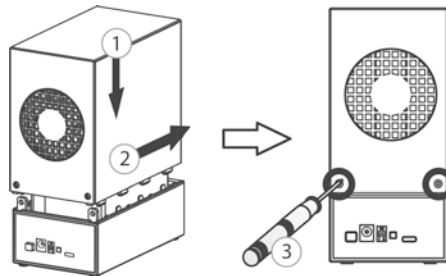


# Manual IB-RD3621-C31

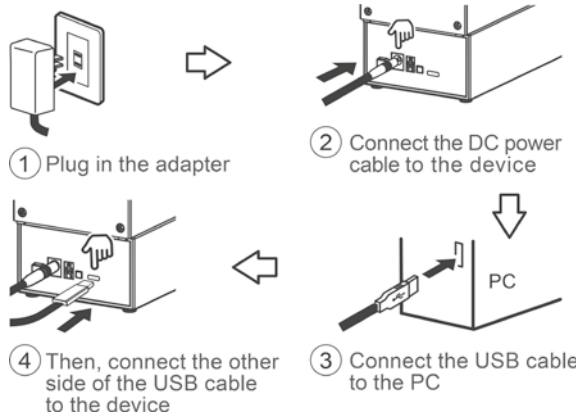
3. Make sure the hard drives are properly installed and then secure them with the provided screws



4. Close the cover and secure it with the screws removed in step 1.



5. Connect the cables in order.

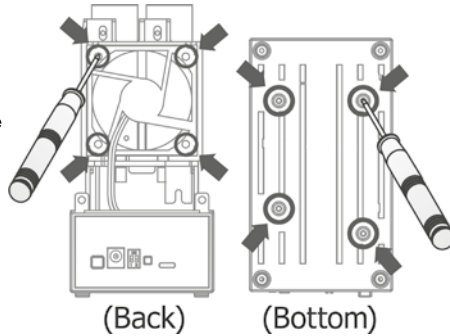


## Manual IB-RD3621-C31

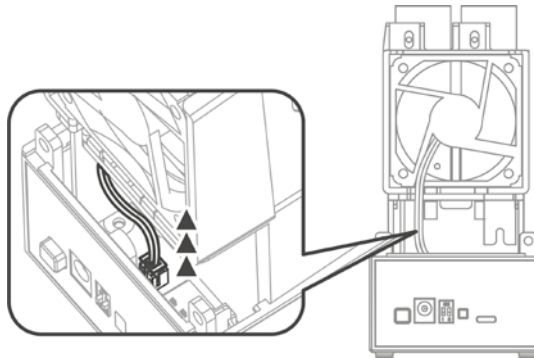
### 4. CLEANING OR CHANGING FAN

- a) If there is any unusual noise with the fan, unscrew and take out the fan, pull out the power cord, clean the fan and assemble it back.
- b) If the noise is still present, change with another fan of size 60x60x10 mm 2 pins.

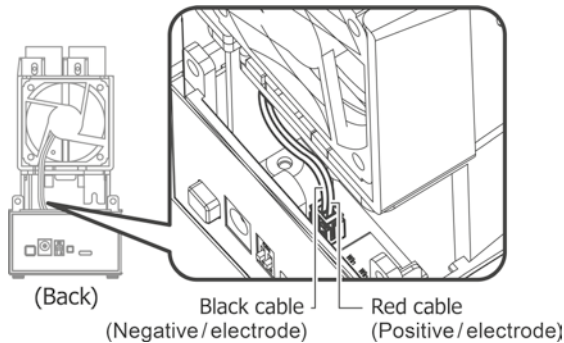
- 1. Open the device as shown.
- 2. Remove the following screws:



- 3. Pull the pin



- 4. Take out the fan



### ATTENTION

Pay attention to the correct alignment of the pin during reconnection.

## Manual IB-RD3621-C31

### 5. CONFIGURE THE RAID MODE

#### ATTENTION:

- Setting or changing the RAID mode requires you to re-format the drives. This will erase all data on the hard drives that are being formatted. **Make sure to backup all existing data first!**

- **Be careful!** When using the confirmation button in any RAID mode, **all data will be erased.**

Never use the confirmation button when all settings have been completed and the drives contains your data!!!

#### RAID Description:

The following table shows the available RAID options and settings:

#### 1. LARGE

To be exact LARGE is not a real RAID mode, but could be seen as one. In LARGE Mode, the space of the second disc is simply appended to the first disc. The space of the two disks is added to one big disk.

#### 2. RAID 1

In RAID 1 mode all data is written identically on both discs. If one disc fails the other contains all data again. This provides security against the failure of one disk at the cost of the bigger disks space.

Notice: the RAID 1 mode is NOT a data backup! The thought behind RAID 1 is to have a system you can work with even when 1 HDD fails!





#### 3. RAID 0

RAID 0 writes data block wise alternating on the two disks. Two data blocks can be written at the same time which enhances speed. The disk space of the combined volume is twice the smaller disk size.

#### 4. SINGLE

Like LARGE it is not really a RAID mode. This means that both discs are integrated as separate hard drives with its own content, independent from each other.

**ATTENTION:** You have to choose a RAID mode as described. In default there is no RAID configuration and the device shuts down within a few seconds.

Single	Large	RAID 1	RAID 0
			
1 OFF 2 OFF	1 ON 2 ON	1 ON 2 OFF	1 OFF 2 ON

Button

- Make sure the device is connected via the delivered USB Type-C™ cable to a supported computer that is ON.

- To configure the RAID mode you want to use, the device has to be turned on.

- Please choose the RAID mode with the DIP-switches shown as in the chart above.

- Now press and hold the confirmation button for about 10 seconds.

*Be careful! When using the confirmation button in any RAID mode, all data will be erased.*

*Never use the confirmation button when all settings have been completed and the drives contains your data!!!*

- The HDD red/purple indicators will be flashing and the RAID mode setup is completed after about 10 seconds.

- Now you can release the confirmation button.

- You just need to initialize, create a partition and format the drives accordingly to your operation system.



## Manual IB-RD3621-C31

### 6. REPLACE A FAILED DRIVE OF A RAID 1 MODE

Drive 1 or drive 2 has failed

**Situation:** The LED indicator of the slot within a defective drive turns red.

1. Turn off the power and then remove the failed drive out of the slot which LED indicator turned red before.
2. Install the new drive in the position of the removed drive (the volume of the new drive should be equal the volume of the remaining drive).
3. Turn on the power, and wait a few seconds for the system to start up.
4. The rebuilding will start automatically. The HDD LEDs light purple. This indicates that it is now rebuilding the RAID array.
5. Rebuilding of the RAID 1 array will take several hours, depending on the drive capacity. When the data has been restored, the HDD LEDs will turn a steady blue.

**Note:** We recommend not turning off the power during the rebuild process but if the process is interrupted, it will continue rebuilding the data as soon as the power is turned back on.

**Note:** If necessary, check the device manager and disc manager if the HDDs of the RAID1 array are working.

**Note:** If necessary, you need to assign a drive letter to the HDDs of the RAID1 array.

#### About data security

To protect your files and help prevent the loss of your data, we strongly recommend that you keep two copies of your data, one copy on your IB-RD3621-C31 and a second copy either on your internal drive or another storage media such as CD, DVD, Tape or an additional external drive.

Any loss or corruption of data while using the IB-RD3621-C31 is the sole responsibility of the user, and under no circumstances will the manufacturer be held liable for compensation or the recovery of this data.



## Manual IB-RD3621-C31

### 7. REFERENCSES

1. Setting/changing the RAID mode requires formatting the drives. Make sure to backup all existing data first!
2. Please refer to the instructions when switching the RAID mode, otherwise the execution might fail.
3. When using the RAID function, HDD's with the same capacity is strong recommended.
4. When using RAID function, more than one HDD partition is not recommended.
5. Under Windows 7/8.1/10, users can enable GPT when initializing HDD with a total capacity of more than 2 TB.
6. If users enable MBR by mistake, in order to clean the partition table, you have to switch to another RAID mode and do the RAID mode switch all over again referring to Setup. Then go back to the RAID mode you want, repeat the previous actions and enable GPT when initializing HDD.
7. For Macintosh users: the total capacity of more than 2 TB could be recognized only for the operation system 10.4.11 Tiger or later.
8. Rebuild time is based on the capacity, e.g. it takes about 1 hour for 200 GB.
9. USB port of your PC must support power-off function so that the device would go to sleeping mode. Setting up motherboard's power management in S3 is recommended. (For more details refer to the user guide of motherboard BIOS setting).
10. If the device takes too long to initialize, please check if the HDD is securely installed or update the SATA host driver version.
11. Temperature 0 ~ 60 °C Humidity 90 RH
12. Operating System: Windows 7/8.1/10 (32/64bit) (with GPT enabled, supports total capacity more than 2 TB) Macintosh 10.X or later
13. Support USB transfer speeds of Low Speed (up to 1.5 Mbit/s), Full Speed (up to 12 Mbit/s), High Speed (up to 480 Mbit/s), Super Speed (up to 5 Gbit/s and 10 Gbit/s)



# Handbuch IB-RD3621-C31

## 1. EINFÜHRUNG

### 1.1 Hinweise zur Verwendung

Nehmen Sie keine Veränderungen an dem Gerät und dem zugehörigen Netzteil vor. Während des Betriebes sollte die Umgebungstemperatur die Werte von  $+5^{\circ}\text{C}$   $\sim$   $+35^{\circ}\text{C}$  nicht unter- bzw. überschreiten.

### 1.2 Netzspannung

Die Stromspannung des Gerätes beträgt 12 V Gleichstrom.

Stellen Sie vor der Inbetriebnahme des Geräts sicher, dass die auf dem Typenschild angegebene Spannung mit der Netzspannung übereinstimmt. Wenn die Netzspannung nicht mit der Spannung auf dem Typenschild übereinstimmt, wenden Sie sich bitte an Ihren ICY BOX Händler. Vor Arbeiten an dem Gerät entfernen Sie das Gerät von der Stromzufuhr.

### 1.3 Funk Interferenz/Kompatibilität

Fast alle elektronischen Einheiten empfangen Funkstörungen. Unter bestimmten Umständen könnte auch dieses Gerät Funkstörungen empfangen.

Das Gerät entspricht dem FCC/CE Standard und unterliegt folgenden Regeln:

1. Das Gerät darf keine schädlichen Funkstörungen verursachen
2. Dieses Gerät könnte Funkstörungen empfangen einschließlich solcher, die unerwünschte Funktionen verursachen können.

### 1.4 Reparaturen

Führen Sie selber nie Reparaturen an dem Gerät durch, Sie könnten es beschädigen oder sich selbst oder Ihre Daten gefährden.

### 1.5 Entsorgung des Gerätes

Die Entsorgung des Gerätes muss nach den gesetzlichen Bestimmungen erfolgen.

### 1.6 Sonstiges

Verwenden Sie das Gerät nicht im Freien.

Das Gerät kann zu Störungen mit anderen Geräten führen. Vergewissern Sie sich, dass keine in der Nähe des Gerätes installierten Geräte gestört werden.

Das Gerät nie Feuchtigkeit und Wasser aussetzen! Stellen Sie auch keine Objekte auf das Gerät, die Flüssigkeiten enthalten (zum Beispiel Vasen).

Das Gerät darf keinen starken Wärmequellen ausgesetzt werden (zum Beispiel Heizgeräte oder direkter Sonneneinstrahlung).

Vergewissern Sie sich, dass das Gerät so aufgestellt ist, dass genügend Raum für die Lüftung vorhanden ist. Während der Benutzung wird sich das Gerät erwärmen. Dies hat keine Auswirkungen auf das Produkt selbst.

**Hinweis:** Alle in diesem Handbuch enthaltenen Angaben wurden einer eingehenden Prüfung zur Zeit der Veröffentlichung unterzogen. Trotzdem können durch Weiterentwicklungen und Updates Veränderungen eintreten, die eine andere Funktions- oder Vorgehensweise, als in diesem Handbuch dargestellt, haben.

Überprüfen Sie gegebenenfalls, ob ein angepasstes Handbuch in unserem Servicebereich auf der Homepage [www.raidsonic.de](http://www.raidsonic.de) bereitgestellt wird.

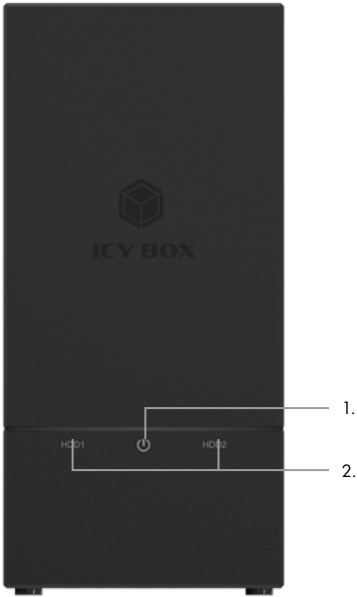
# Handbuch IB-RD3621-C31

## 2 PRODUKTÜBERSICHT

### 2.1 Verpackungsinhalt

1x IB-RD3621-C31, 1x Steckernetzteil, 1x USB Type-C™ zu Type-C™ Kabel, 2x 2,5'' zu 3.5'' SSD/HDD Halterung, 1x Schraubenset, 1x Handbuch

### 2.2 Frontansicht



- 1. LED für Betrieb
- 2. LED for HDD1/HDD2
  - Blau            Festplatte betriebsbereit
  - Lila            Festplattenzugriff
  - Rot             Festplattenfehler
  - Rot blinkend   RAID Wiederherstellung

### 2.3 Rückansicht



- 1. RAID-DIP Schalter
- 2. RAID Bestätigungstaste
- 3. USB 3.1 (Gen 2) USB Type-C™ Hostanschluss
- 4. Stromanschluss
- 5. Netzschalter

## Handbuch IB-RD3621-C31

### 3. 2.5" oder 3.5" LAUFWERKINSTALLATION

#### Hinweis!

Um Schäden oder Fehlfunktionen zu vermeiden trennen Sie die Stromzufuhr des Gerätes, bevor Sie die Laufwerke einsetzen oder entnehmen.

- Beim Einsetzen der Laufwerke achten Sie auf mögliche elektrostatische Entladung, da diese zu Schäden oder Fehlfunktionen führen kann. Berühren Sie vor der Installation ein „geerdetes“ Metallobjekt oder tragen antistatische Handschuhe.

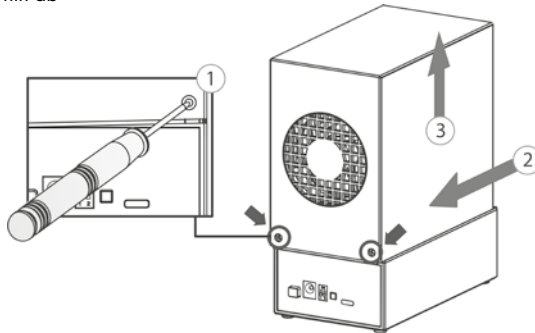
#### Achtung!

Das Mainboard und die Laufwerke sind sehr empfindliche Komponenten. Setzen Sie die Laufwerke bitte vorsichtig ein und **achten auf die richtige Ausrichtung**.

Gehen Sie behutsam vor, da im Inneren des Gerätes scharfe Kanten vorhanden sind.

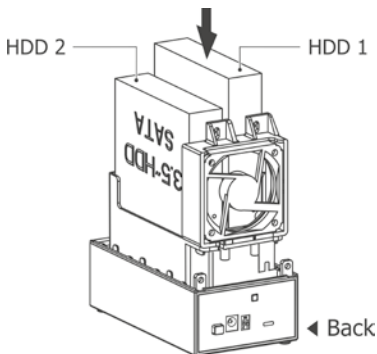
Um Datenverlust vorzubeugen, sollte zwingend von Festplatten mit enthaltenen Daten **vorher** ein Backup durchgeführt werden.

1. Lösen Sie die Schrauben auf der Rückseite. Ziehen Sie dann die Abdeckung ein Stück nach hinten und nehmen Sie diese nach oben hin ab



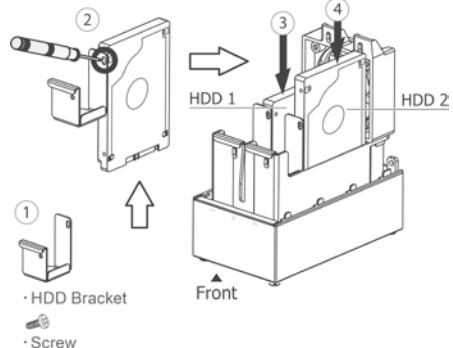
#### 2. 3.5" Laufwerk

- 2.1 Stecken Sie die Laufwerke vorsichtig in die dafür vorgesehenen Schächte.



#### 2.5" Laufwerk

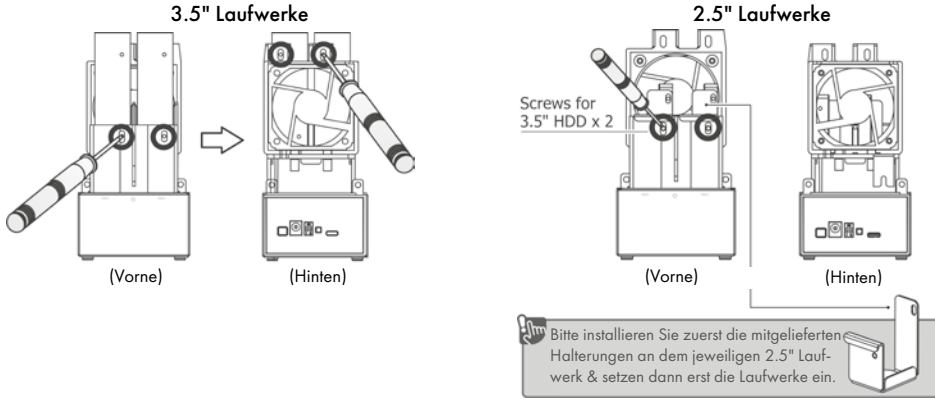
- 2.2 Bitte installieren Sie zuerst die mitgelieferten Halterungen und dem jeweiligen 2.5" Laufwerk und setzen erst dann die Laufwerke ein



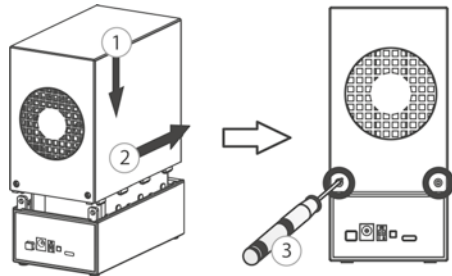


# Handbuch IB-RD3621-C31

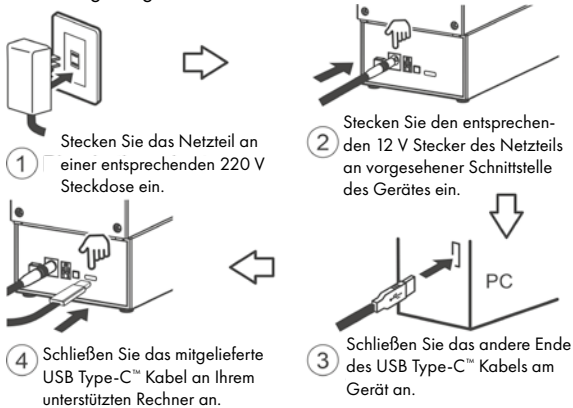
3. Vergewissern Sie sich, dass die Laufwerke richtig sitzen und schrauben Sie sie dann, mit den beiliegenden Schrauben fest.



4. Setzen Sie die Abdeckung wieder auf und schrauben Sie diese mit den beiliegenden Schrauben fest.



5. Verbinden Sie die Kabel wie folgt dargestellt.

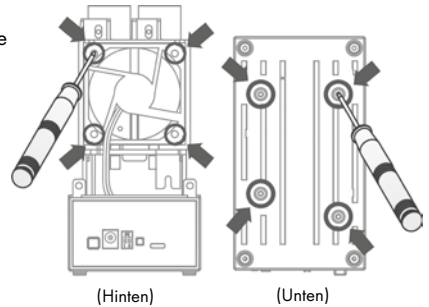


## Handbuch IB-RD3621-C31

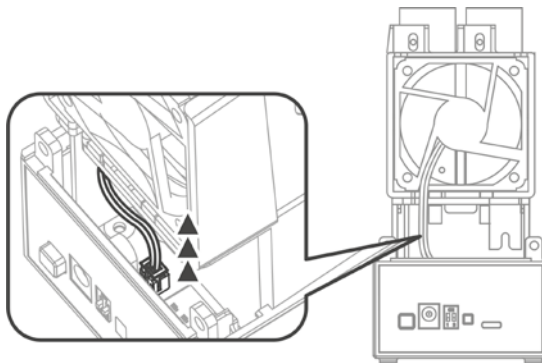
### 4. REINIGEN ODER WECHSELN DES LÜFTERS

- a) Sollten ungewöhnliche Geräusche durch den Lüfter entstehen, könne Sie den Lüfter ausbauen, reinigen und wiedereinsetzen.  
 b) Sollte das Geräusch weiterhin bestehen, könnten Sie den 60x60x10 mm 2 Pin-Lüfter gegen einen baugleichen Lüfter austauschen.

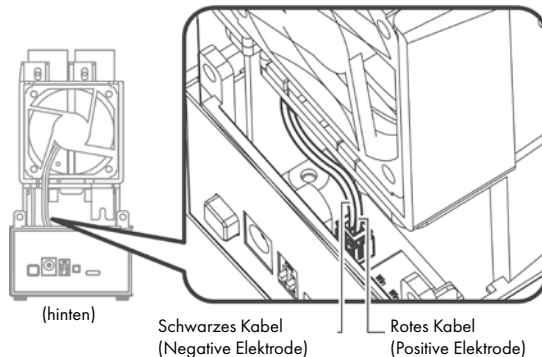
1. Öffnen Sie dazu das Gerät wie weiter vorn gezeigt.
2. Entfernen Sie die folgend markierten Schrauben:



3. Ziehen Sie den 2 Pin-Stecker ab



4. Entnehmen Sie den Lüfter



### ACHTUNG

Achten Sie auf die richtige Ausrichtung des 2 Pin-Steckers beim Wiedereinbau.



# Handbuch IB-RD3621-C31

## 5. EINSTELLEN / ÄNDERN DES RAID MODUS

### Hinweis:

- Das Einstellen oder Wechseln des RAID Modus erfordert ein Neuformatieren der Festplatten. Durch diesen Vorgang werden alle Daten auf den Festplatten gelöscht. Stellen Sie sicher, dass vorher alle vorhandenen Daten auf einen anderen Datenträger gesichert werden.
- Seien Sie vorsichtig! Wenn Sie die Bestätigungstaste in einem beliebigen RAID-Modus betätigen, werden alle Daten gelöscht. Benutzen Sie niemals die Bestätigungstaste, wenn alle Einstellungen abgeschlossen sind und das Laufwerk Ihre Daten enthält!!!

### Beschreibung der möglichen RAID Modi

#### 1. LARGE

Large verbindet mehrere Laufwerke zu einem großen virtuellen Laufwerk und umgeht damit die physische Begrenzung einzeln angeschlossener Festplatten. Die Daten werden fortlaufend von HDD1 bis HDD2 geschrieben. Es handelt sich hier nicht um ein SINGLE JBOD.

#### 2. RAID 1

RAID 1 (Mirroring) ist das automatische Spiegeln der Daten auf mehrere Festplatten. Dadurch wird eine hohe Datensicherheit gewährleistet. Bei Ausfall einer Festplatte ist der Zugriff weiterhin möglich und nach Austausch der defekten Festplatte wird der Datenspiegel wiederhergestellt. Der nutzbare Speicher entspricht der kleinsten Festplatte

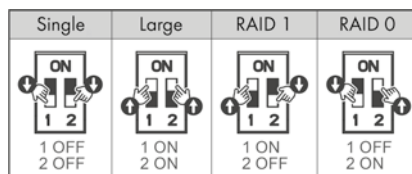
#### 3. RAID 0

RAID 0 (Striping) verbindet mehrere Laufwerke zu einem großen virtuellen Laufwerk als eine logische Einheit. Die Daten werden parallel auf alle Festplatten geschrieben, was zu einer Steigerung der Datentransferrate führt. Bei Ausfall einer Festplatte sind jedoch alle Daten verloren.

#### 4. SINGLE

Konfiguration eines RAID-Controllers mit mehreren Festplatten, die keinen Verbund bilden. Damit werden die angeschlossenen Festplatten dem Betriebssystem einzeln zur Verfügung gestellt.

**Hinweis:** Im Auslieferungszustand ist KEIN Raidmodus eingestellt! Bitte wählen Sie einen Raidmodus aus. Das Gerät schaltet sich sonst nach ein paar Sekunden wieder ab.



Button

- Stellen Sie sicher, dass das Gerät über das mitgelieferte USB Type-C™ Kabel mit einem PC verbunden ist, der in Betrieb ist.
- Um den RAID-Mode festzulegen, bringen Sie die DIP-Schalter in die entsprechende Position (siehe Grafik oben).
- Drücken Sie *jetzt* den Bestätigungsknopf und halten diesen für etwa 10 Sekunden gedrückt. Seien Sie vorsichtig! Wenn Sie die Bestätigungstaste in einem beliebigen RAID-Modus betätigen, werden alle Daten gelöscht. Benutzen Sie niemals die Bestätigungstaste, wenn alle Einstellungen abgeschlossen sind und das Laufwerk Ihre Daten enthält!!!
- Die HDD Statusanzeige fängt nun an Rot/Lila zu blinken. Sobald Die LEDs nach etwa 10 Sekunden durchgehend Blau leuchten, ist das RAID Setup abgeschlossen und Sie können die Bestätigungstaste loslassen.
- Nun müssen Sie lediglich noch die Festplatten gemäß Ihres Betriebssystems initialisieren, partitionieren und formatieren.



## Handbuch IB-RD3621-C31

### 6. ERSETZEN EINES AUSGEFALLENEN LAUFWERKS IM RAID 1 MODUS

Laufwerk 1 oder Laufwerk 2 ist ausgefallen

**Szenario:** Die LED-Anzeige, des Steckplatzes mit dem defekten Laufwerk, leuchtet rot.

1. Schalten Sie das Gerät aus und entfernen Sie dann das ausgefallene Laufwerk aus dem Steckplatz, dessen LED-Anzeige zuvor rot aufleuchtete.
2. Installieren Sie das neue Laufwerk in der Position des entfernten Laufwerks (das Volumen des neuen Laufwerks sollte dem Volumen des verbleibenden Laufwerks entsprechen).
3. Schalten Sie das Gerät wieder ein und warten ein paar Sekunden, bis das Gerät wieder hochgefahren ist.
4. Das Rebuild startet automatisch nach ein paar Sekunden. Die HDD LEDs leuchten lila. Hierdurch wird die Wiederherstellung bis zum Abschluss des Vorganges angezeigt.
5. Die Wiederherstellung des RAID 1 Verbundes kann mehrere Stunden dauern (abhängig von der Laufwerksgröße). Ist der Vorgang abgeschlossen, erlöschen die eben beschriebenen LEDs und beide HDD LEDs leuchten durchgehend blau.

**Hinweis:** Stellen Sie sicher, dass die Stromversorgung während des Wiederherstellungsprozesses nicht unterbrochen wird. Sollte dies trotzdem geschehen, wird der Wiederherstellungsprozess nach der Verbindung mit der Stromquelle fortgesetzt.

**Hinweis:** Falls notwendig, überprüfen Sie im Geräte-Manager und in der Datenträgerverwaltung ob die HDD(s) des Raidverbundes angezeigt werden.

**Hinweis:** Falls notwendig, müssen Sie dem entsprechenden Laufwerk erneut einen Laufwerksbuchstaben hinzufügen.

#### Zur Datensicherheit

Um Ihre Daten zu sichern und Datenverlust zu vermeiden, sollten Sie immer mindestens zwei Kopien Ihre Daten anlegen. Einmal auf der IB-RD3621-C31 und einmal auf einem anderen Laufwerk oder entsprechenden Speichermedien wie CD, DVD, Blu-Ray o.ä.

Jeglicher Datenverlust oder -schaden durch die Benutzung der IB-RD3621-C31 liegt in der Verantwortung des Benutzers und es kann unter keinen Umständen der Hersteller für die Wiederherstellung der Daten oder deren Kosten zur Verantwortung gezogen werden.

### 7. ALLGEMEINE HINWEISE

1. Ein Wechsel des eingestellten RAID Modus führt zu vollständigem Datenverlust. Sollte dies Notwendig werden, führen Sie zuvor ein Datenbackup durch.
2. Zur Änderung des RAID Modus gehen Sie bitte genau wie weiter oben beschrieben vor, da sonst die Änderungen unter Umständen nicht übernommen werden.
3. Bei Betrieb im RAID Modus, empfehlen wir dringendst, nur eine Partition anzulegen.
4. Unter Windows Vista und Windows 7/8.1/10 haben Sie die Möglichkeit die Option GPT zu aktivieren um Festplatten größer als 2 TB zu initialisieren und zu formatieren.
5. Falls Sie aus Versehen den MBR Modus aktiviert haben, aber nur die Partitionstabelle löschen wollten, aktivieren Sie bitte zunächst einen anderen RAID Modus wie weiter oben beschrieben und führen danach nochmals die Schritte für den gewünschten RAID Modus aus und aktivieren bei der anschließenden Initi-



## Handbuch IB-RD3621-C31

alisierung den GPT Modus aus.

6. Macintosh Benutzer können erst ab dem Betriebssystem Tiger 10.4.11 oder höher auf Festplatten größer 2 TB zugreifen.
7. Im RAID 1 Modus müssen die Festplatten HDD1 und HDD2 installiert sein, da sonst das Betriebssystem Ihres Rechners (Windows / Macintosh) das Gerät nicht erkennen kann.
8. Die Rebuilddauer (Wiederherstellung) ist abhängig von der Kapazität der verwendeten Festplatte. Als Anhaltspunkt rechnen Sie bitte mit ungefähr 1 Stunde je 200 GB.
9. Wir empfehlen in den BIOS Einstellungen Ihres Mainboards das Power Management auf S3 einzustellen. (Nähere Informationen entnehmen Sie bitte der Bedienungsanleitung des Mainboardherstellers).
10. Sollte die Initialisierung zu lange dauern, überprüfen Sie bitte, ob die Festplatte korrekt eingebaut wurde oder führen Sie ein Treiberupdate Ihrer SATA Hosttreiber aus.
11. Wenn Ihnen die Transferrate bei gejumpten Festplatten ungewöhnlich erscheint, überprüfen Sie ob die entsprechenden Jumper auf 1,5 Gbit/s oder 3,0 Gbit/s gesetzt sind.
12. Sollte der Lüfter oder das Gerät ausfallen, können Sie im Rahmen der Gewährleistungszeit eine Reparatur über Ihren Händler veranlassen.
13. Arbeitsumgebung: Temperatur 0 ~ 60 °C Relative Luftfeuchtigkeit 90 %
14. Betriebssystem: Windows 7/8.1/10 (32/64bit) (im GPT Modus: unterstützte Gesamtkapazität größer als 2 TB Macintosh 10.X oder höher.
15. Je nach Modell werden folgende Datentransferraten über die entsprechenden Schnittstellen unterstützt: USB Low Speed (bis zu 1,5 Mbit/s), Full Speed (bis zu 12 Mbit/s), High Speed (bis zu 480 Mbit/s), Super Speed (bis zu 5 Gbit/s und 10 Gbit/s).



**© Copyright 2020 by RaidSonic Technology GmbH. All Rights Reserved**

The information contained in this manual is believed to be accurate and reliable. RaidSonic Technology GmbH assumes no responsibility for any errors contained in this manual. RaidSonic Technology GmbH reserves the right to make changes in the specifications and/or design of the above mentioned product without prior notice. The diagrams contained in this manual may also not fully represent the product that you are using and are there for illustration purposes only. RaidSonic Technology GmbH assumes no responsibility for any differences between the product mentioned in this manual and the product you may have.