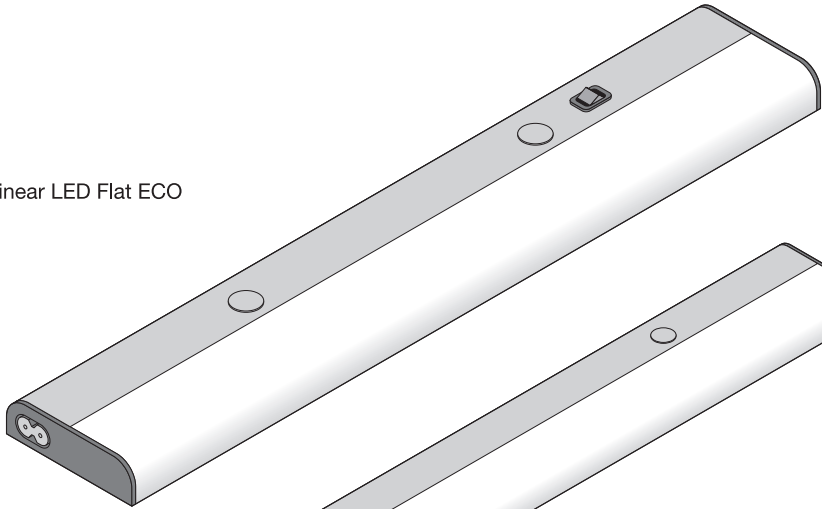
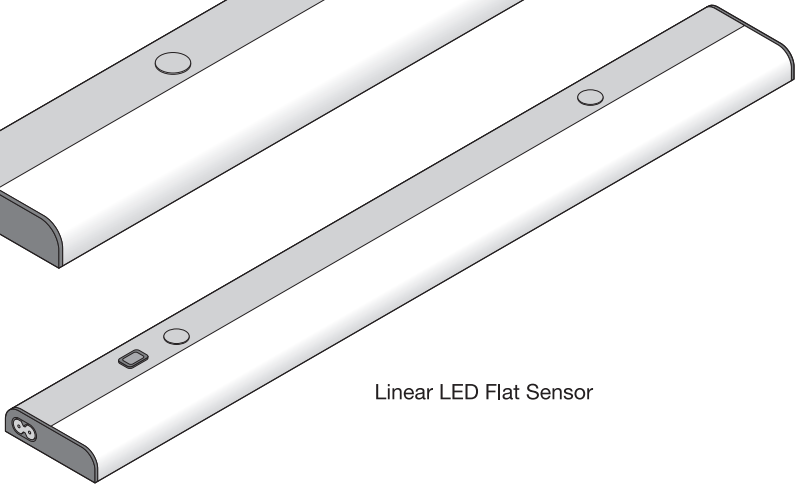



LINEAR LED FLAT

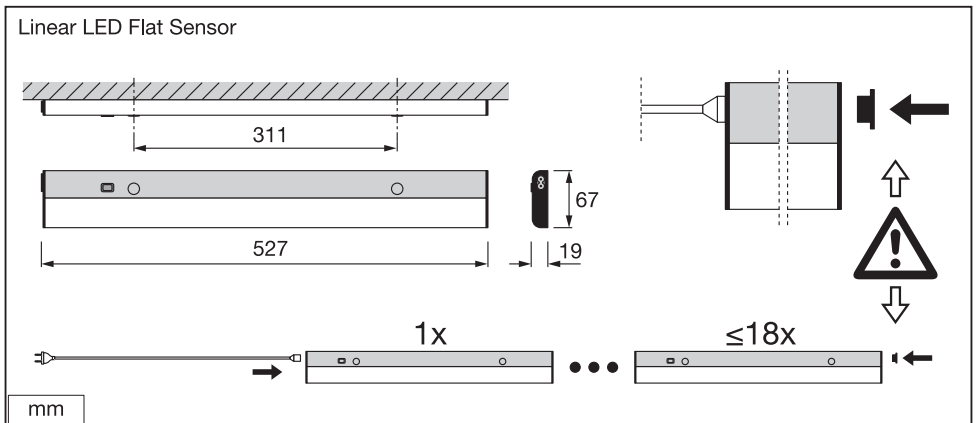
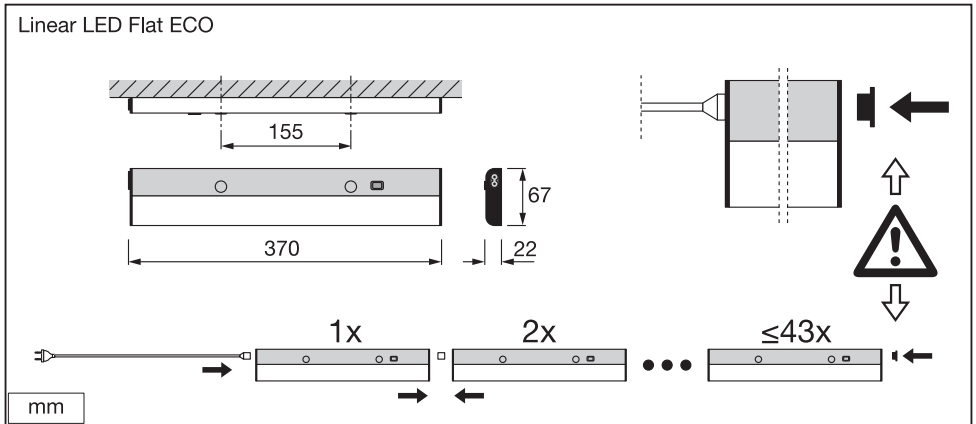
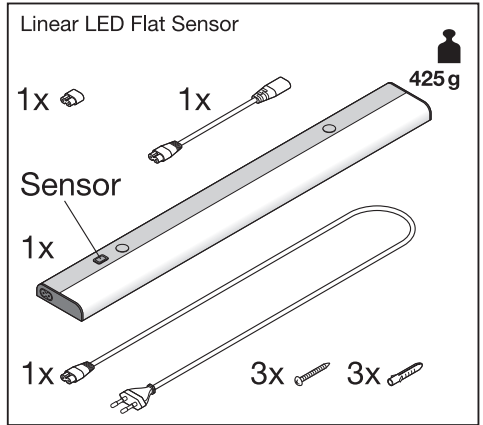
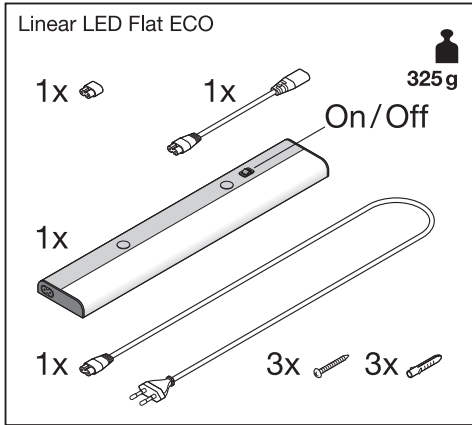
Linear LED Flat ECO

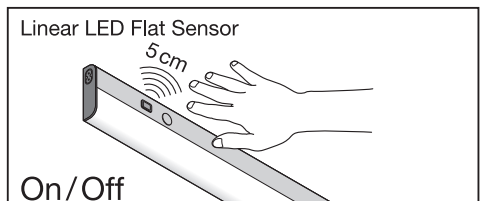
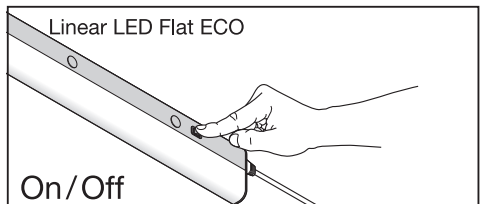
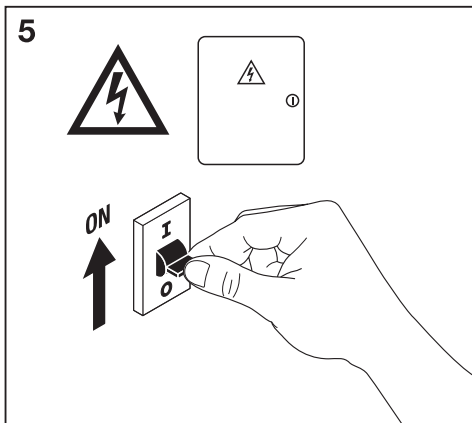
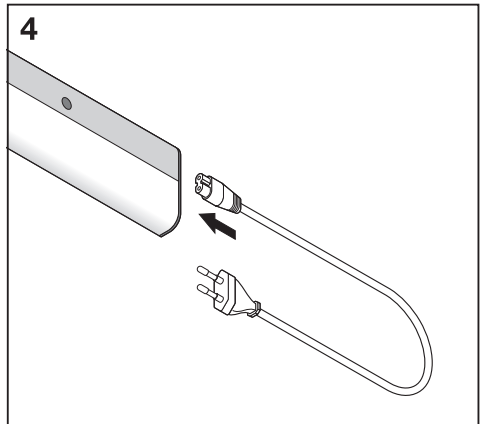
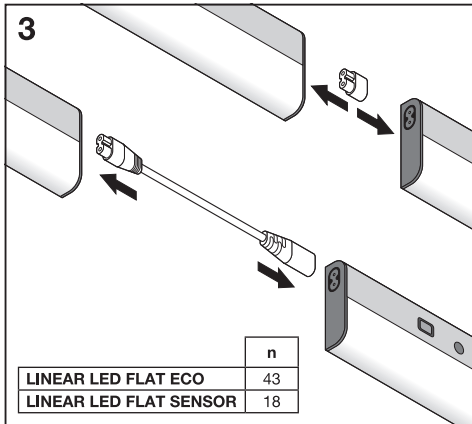
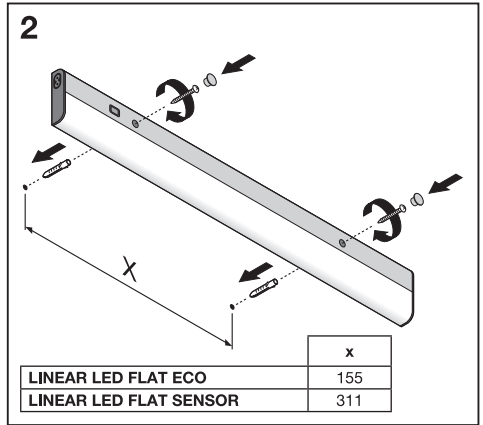
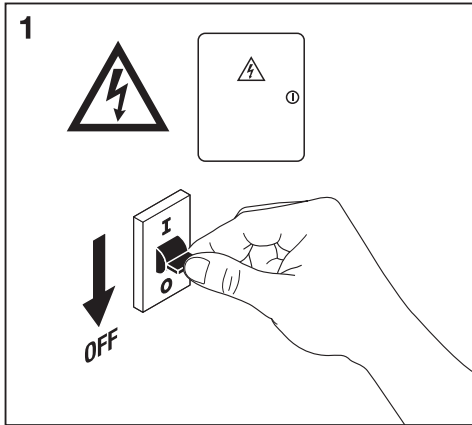






Linear LED Flat Sensor



	EAN	W	lm Light Source	lm Output	K	V~	Hz	mA	PF	▽ (°)	
LINEAR LED FLAT ECO 830	4058075264144	5	480	300	3000	220-240	50/60	27	>0.5	110	100000
LINEAR LED FLAT ECO 840	4058075264328	5	520	320	4000	220-240	50/60	27	>0.5	110	100000
LINEAR LED FLAT SENSOR 830	4058075264410	12	1230	760	3000	220-240	50/60	75	>0.5	110	100000
LINEAR LED FLAT SENSOR 840	4058075264618	12	1260	840	4000	220-240	50/60	75	>0.5	110	100000





	EAN	This product contains a light source of energy efficiency class	Contained Light Source
LINEAR LED FLAT ECO 830	4058075264144	F	
LINEAR LED FLAT ECO 840	4058075264328	F	
LINEAR LED FLAT SENSOR 830	4058075264410	F	
LINEAR LED FLAT SENSOR 840	4058075264618	F	



Points de collecte sur www.quefairedemesdechets.fr

C10449057
G11145067
28.06.2022



LEDVANCE GmbH
Steinerne Furt 62
86167 Augsburg, Germany
www.ledvance.com